

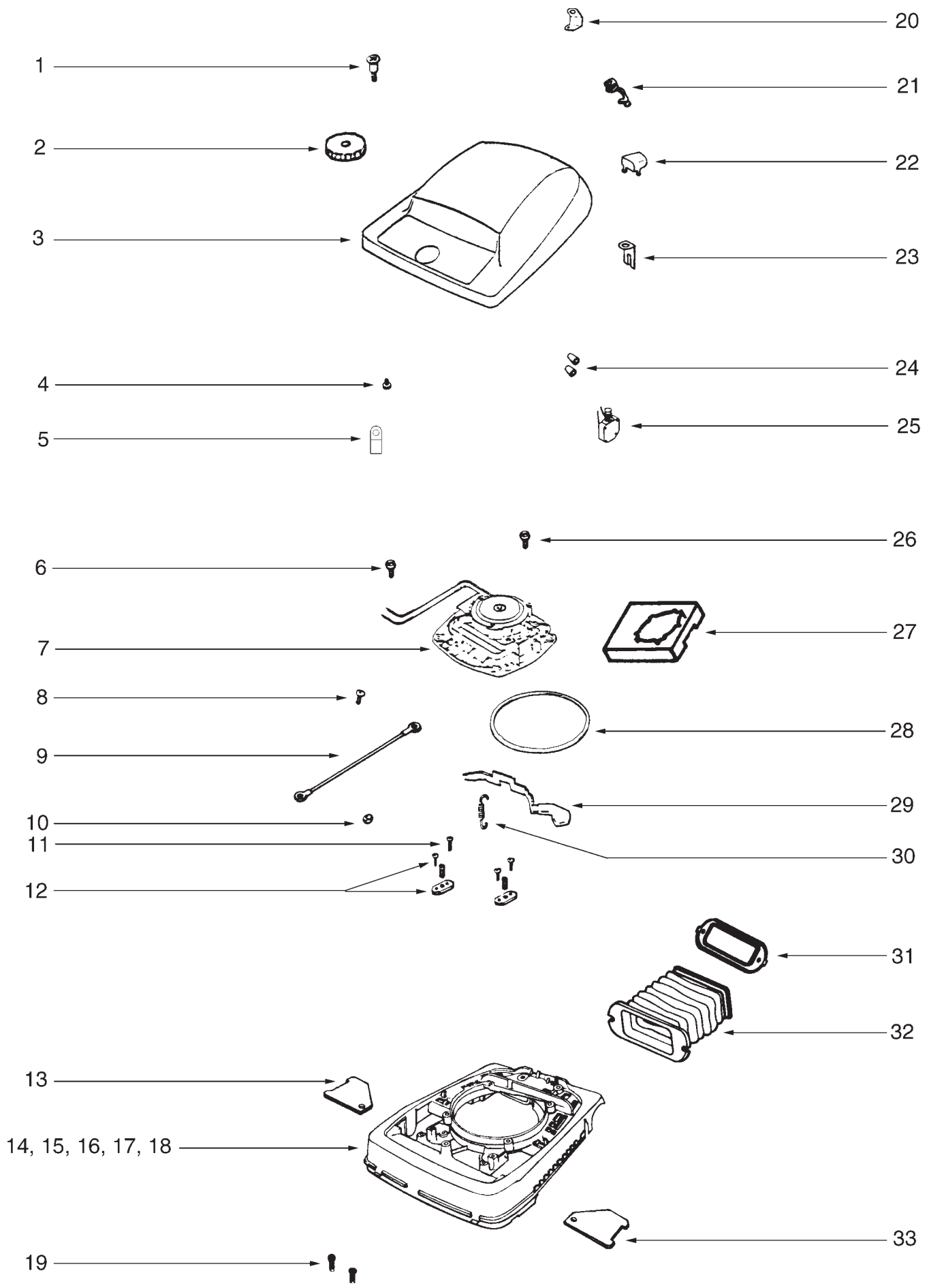


REPAIR PARTS LIST

**SC689A**

SANITAIRE COMMERCIAL UPRIGHT

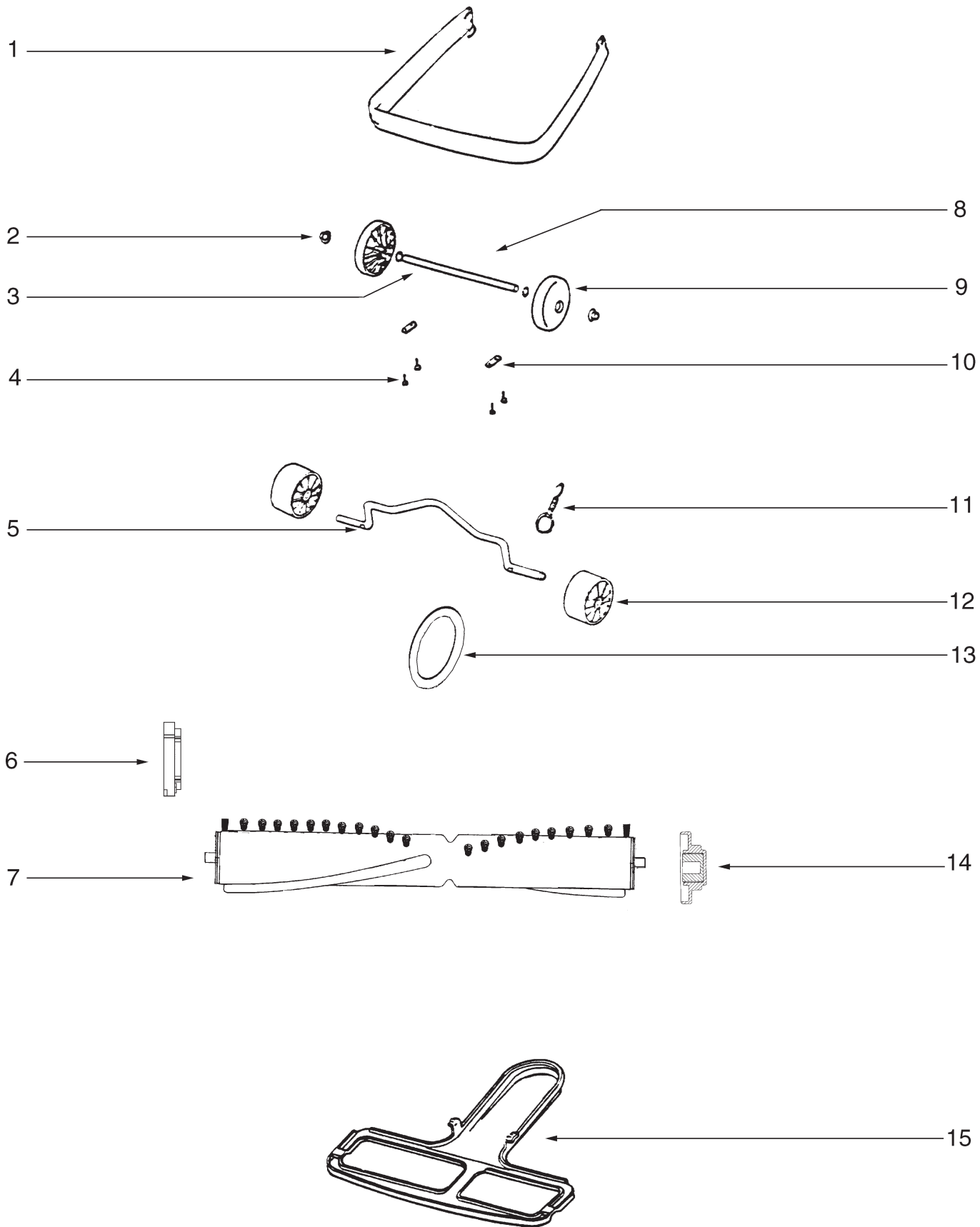
Date: February 18, 2003



## SC689A

1.	53143	SCREW - pkg of 10
2.	38053-2	KNOB
3.	54314-2	HOOD ASSEMBLY
4.	53238-11	SCREW - pkg of 10
5.	57687-1	CABLE CLAMP
6.	53238-14	MOTOR MOUNTING SCREW - pkg of 10
7.	53349-8	MOTOR ASSEMBLY
8.	53228-2	SCREW - pkg of 10
9.	55296	WIRE & TERMINAL ASSEMBLY
10.	53213-5	NUT - pkg of 10
11.	53238-13	SCREW - pkg of 10
12.	53140	CLAMP & SCREW ASSEMBLY
13.	36263	WHEEL COVER
14.	54408-5	BASE ASSEMBLY*
15.	24964A-1	CAM (R.H.)
16.	24965A-1	CAM (L.H.)
17.	53118	CAM RIVET - pkg of 10
18.	53133	WASHER - pkg of 10
19.	53215-5	SCREW - pkg of 10
20.	38218-1	BUSHING BRACKET
21.	53122	STRAIN RELIEF BUSHING - pkg of 10
22.	14660-1	SWITCH BUTTON
23.	37989	SWITCH CLIP
24.	60192-1	WIRE SPLICE - pkg of 5
25.	13738-5	SWITCH ASSEMBLY
26.	53238-14	SCREW - pkg of 10
27.	38314SV	AIR SEPARATOR
28.	30517	MOTOR SEAL GASKET
29.	24834A-3	FOOT PEDAL
30.	53097	FOOT PEDAL SPRING - pkg of 10
31.	38288-1	CLAMP
32.	14763-1	BELLOWS
33.	36263	WHEEL COVER

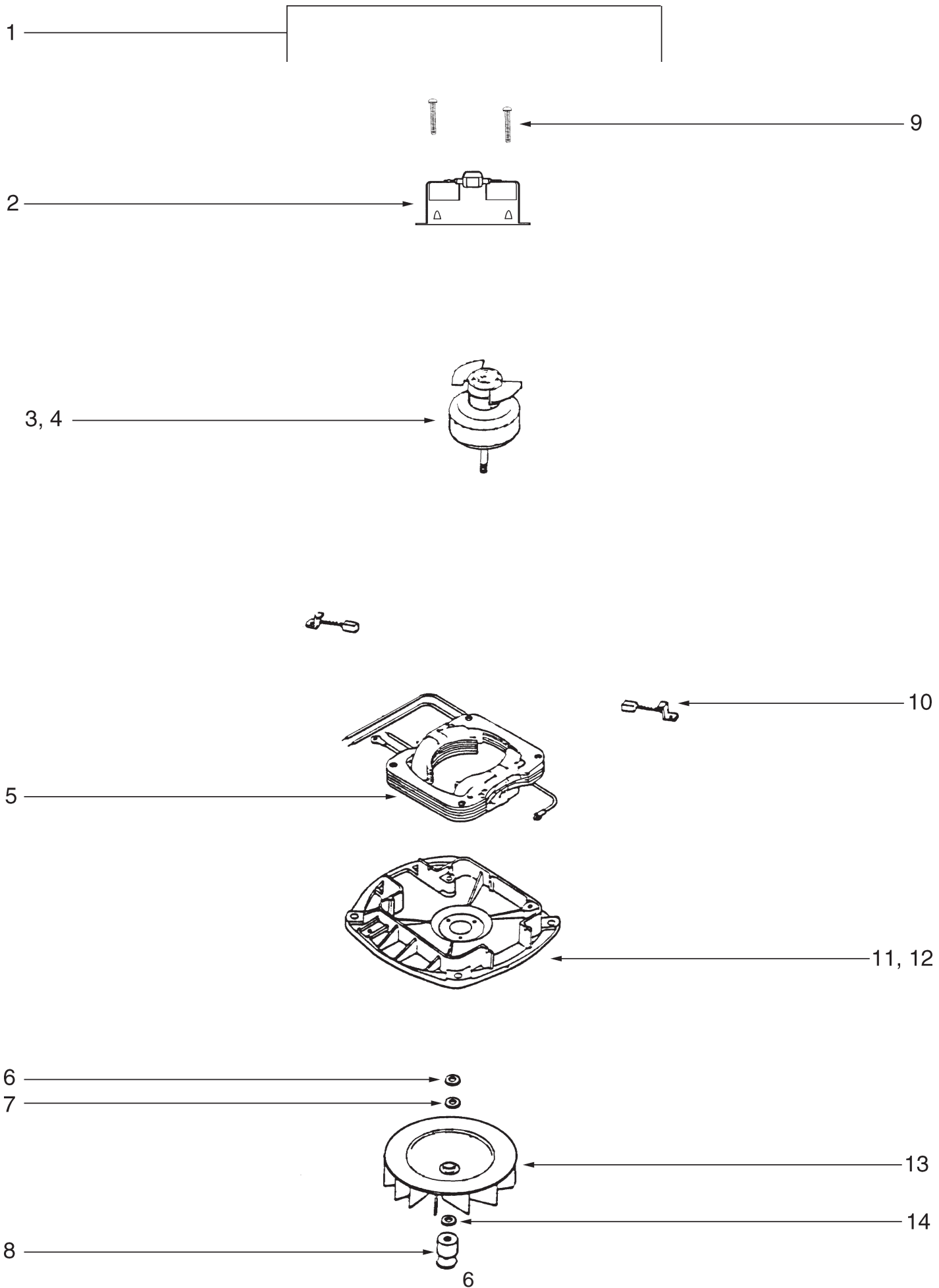
\* INCLUDES ITEMS 15, 16, 17 & 18



## SC689A

1.	28504-1	FURNITURE GUARD
2.	53121	PUSH NUT - pkg of 10
3.	37183	REAR AXLE
4.	53238-11	SCREW - pkg of 10
5.	35947A	FRONT AXLE
6.	26059A	CAP COVER
7.	54104-1	DISTURBULATOR ASSEMBLY
8.	60161	WHEEL & AXLE ASSEMBLY*
9.	26242-119N	REAR WHEEL
10.	53201	AXLE CLAMP - pkg of 10
11.	53076-2	AXLE SPRING - pkg of 6
12.	35859A-1	FRONT WHEEL
13.	52100A	BELT - pkg of 2
14.	38138	CAP & BEARING ASSEMBLY
15.	25922-1	BOTTOM PLATE ASSEMBLY

\* INCLUDES ITEMS 2, 3 & 9

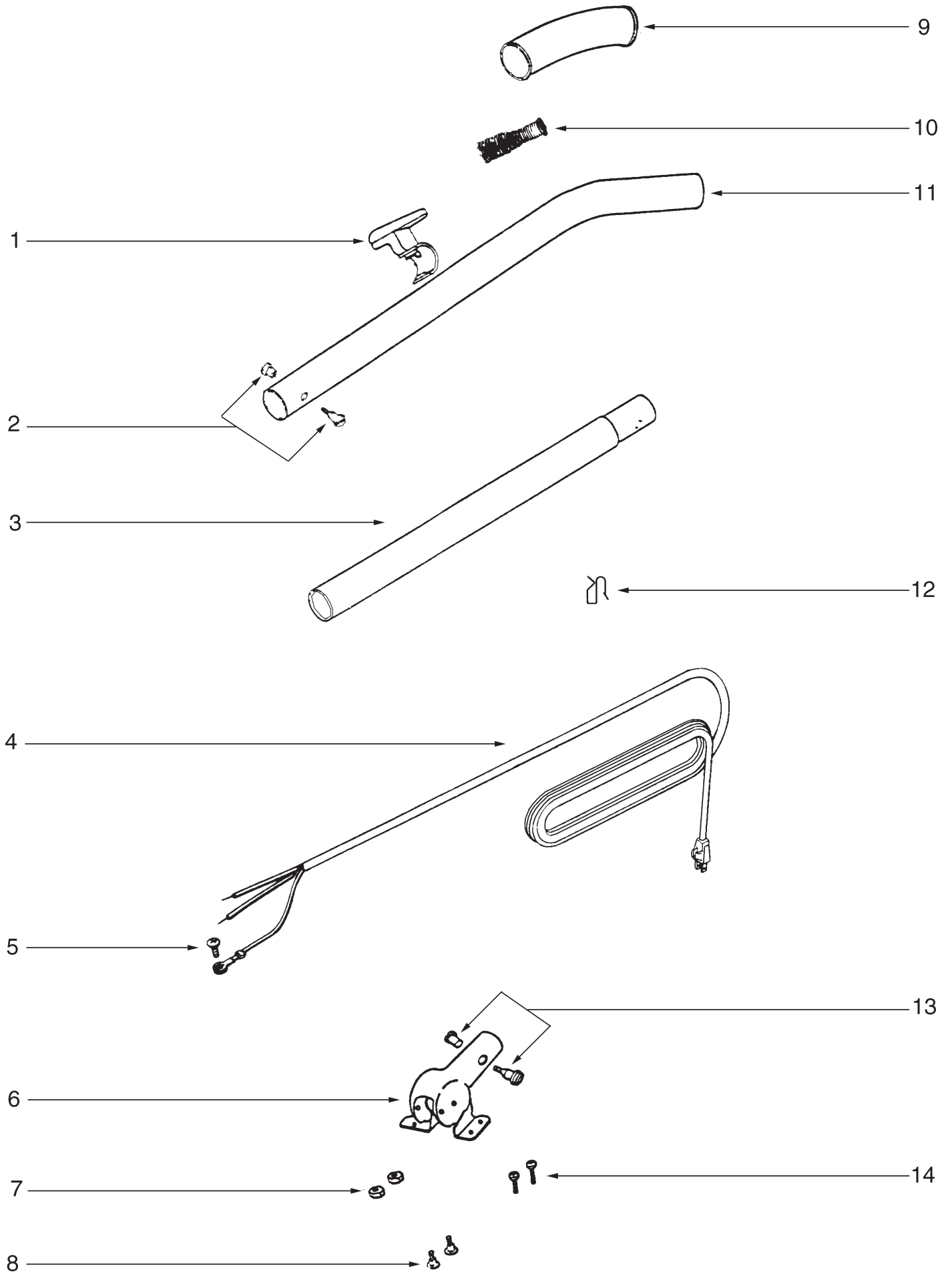


## SC689A

1.	53349-8	MOTOR ASSEMBLY COMPLETE
2.	54768	MOTOR HOUSING
3.	53470-3	ARMATURE & FAN ASSEMBLY*
4.	26136	FAN
5.	53901-2	FIELD ASSEMBLY
6.	54811	WASHER - pkg of 10
7.	53148	FAN WASHER - pkg of 10
8.	37012-2	PULLEY
9.	53131-1	SCREW - pkg of 10
10.	25172A-1	MOTOR BRUSH ASSEMBLY
11.	54171-1	MOTOR BASE ASSEMBLY**
12.	53088-5	BEARING - pkg of 5
13.	12988-1	FAN
14.	53148	FAN WASHER - pkg of 10

\* INCLUDES ITEM 4

\*\* INCLUDES ITEM 12

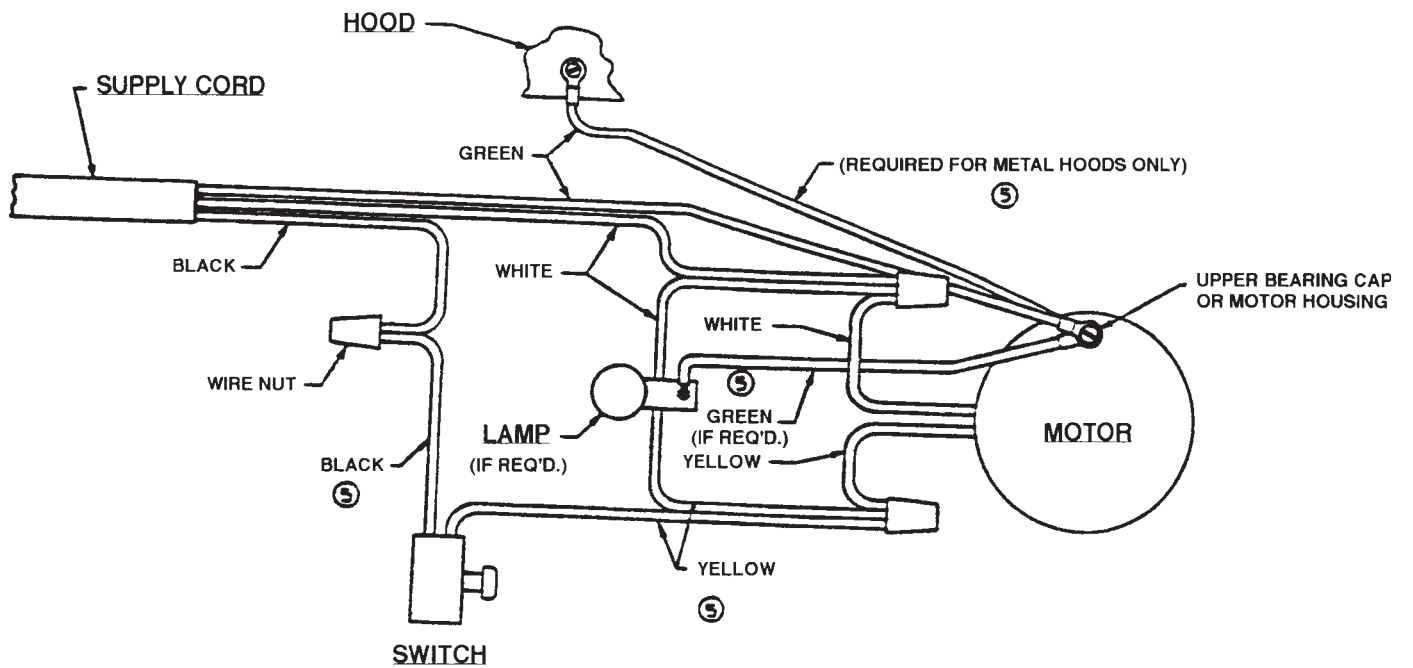
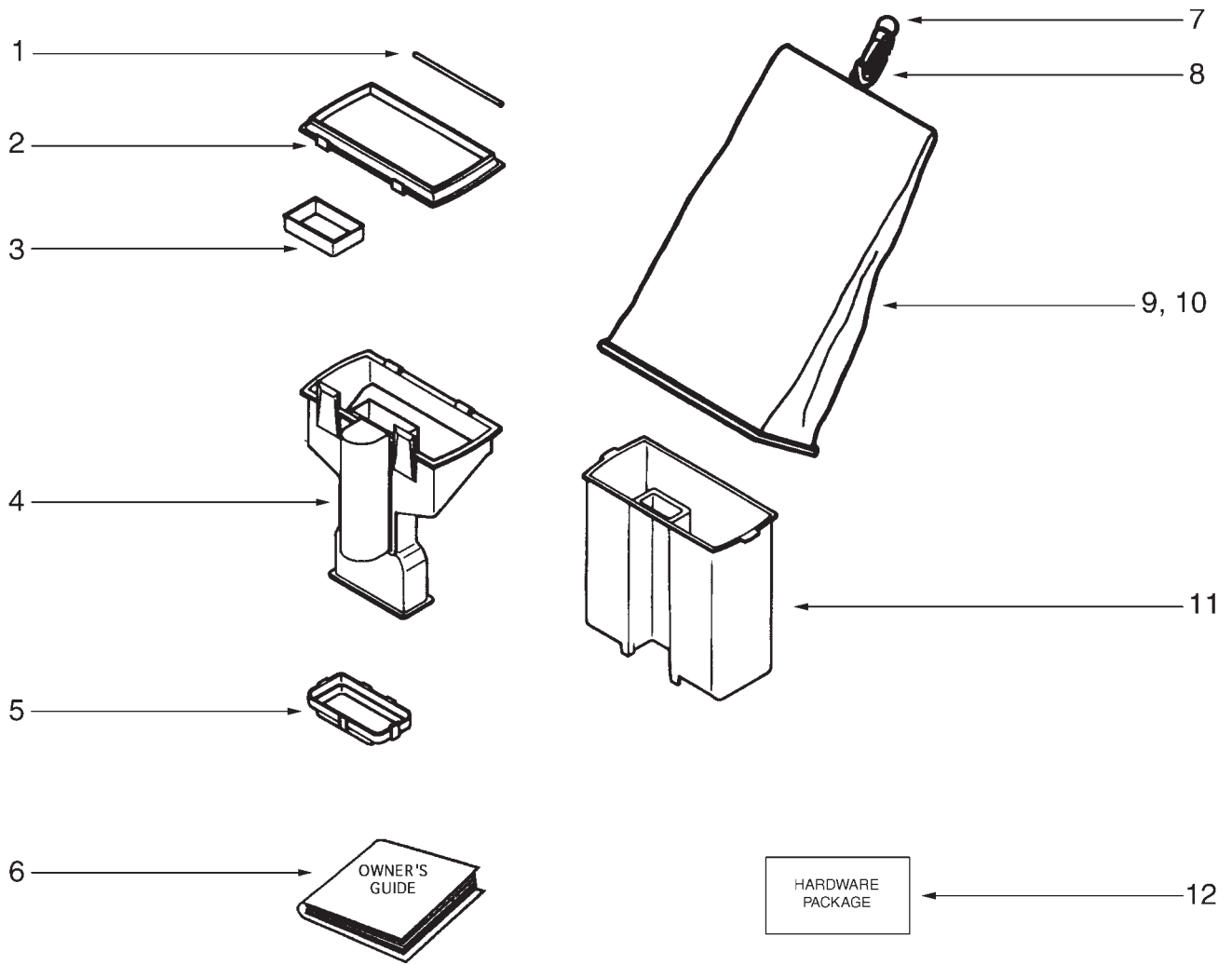




## SC689A

- |     |            |                                     |
|-----|------------|-------------------------------------|
| 1.  | 53574-1    | UPPER & LOWER CORD RETAINER PACKAGE |
| 2.  | 53198-1    | HANDLE SCREW - pkg of 6             |
| 3.  | 15800-1    | LOWER HANDLE TUBE                   |
| 4.  | 52370-14   | SUPPLY CORD                         |
| 5.  | 53238-13   | SCREW - pkg of 10                   |
| 6.  | 38183-1SV  | HANDLE SOCKET ASSEMBLY              |
| 7.  | 53213-5    | NUT - pkg of 10                     |
| 8.  | 53145      | BOLT - pkg of 10                    |
| 9.  | 35293-6    | HANDLE GRIP                         |
| 10. | 53077      | SPRING - pkg of 5                   |
| 11. | 25329-16SV | UPPER HANDLE ASSEMBLY*              |
| 12. | 55015      | WIRE CLIP                           |
| 13. | 53198-1    | SCREW & NUT ASSEMBLY - pkg of 6     |
| 14. | 53238-13   | SCREW - pkg of 10                   |

\* INCLUDES ITEM 9



36575 WIRING DIAGRAM

## SC689A

1.	55399-1	COVER PIN
2.	14765-1	BAG FLANGE
3.	38289	GASKET
4.	54561-1	DIRT CUP SUPPORT
5.	26266-2	CLAMP
6.	72926	OWNER'S GUIDE
7.	57711	STEEL RING
8.	57686-1	SNAP HOOK
9.	54422-7	BAG ASSEMBLY*
10.	58223	GASKET
11.	01959-313N	DIRT CUP
	60122-1	DIRT CUP ASSEMBLY COMPLETE**
12.	72661	HARDWARE PACKAGE

\* INCLUDES ITEMS 7, 8 & 10

\*\* INCLUDES ITEMS 1, 2, 3, 4, 5, 7, 8, 9, 10 & 11

