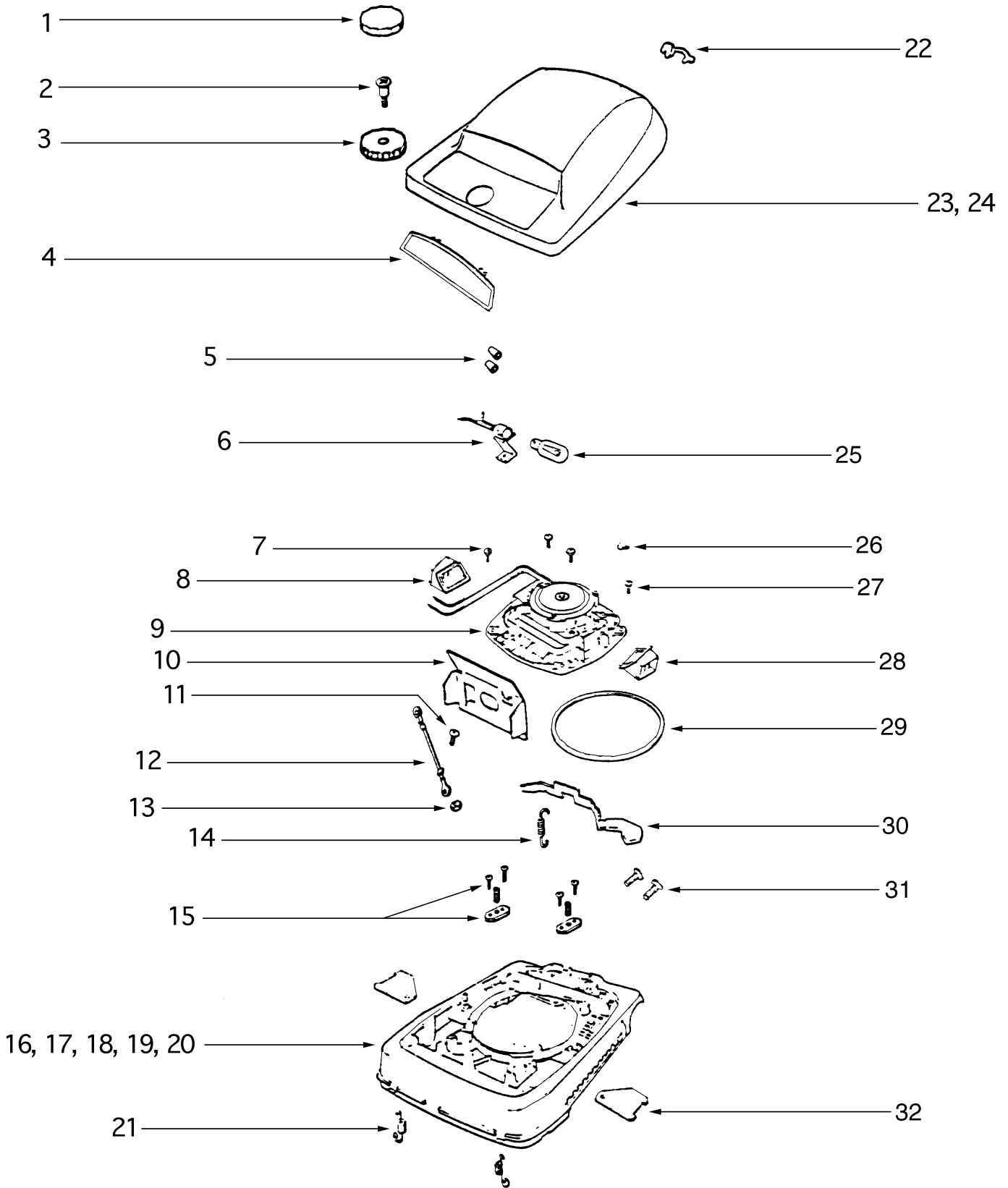


REPAIR PARTS LIST

SANITAIRE UPRIGHT
MODEL

S670A

Date: January 29, 2002

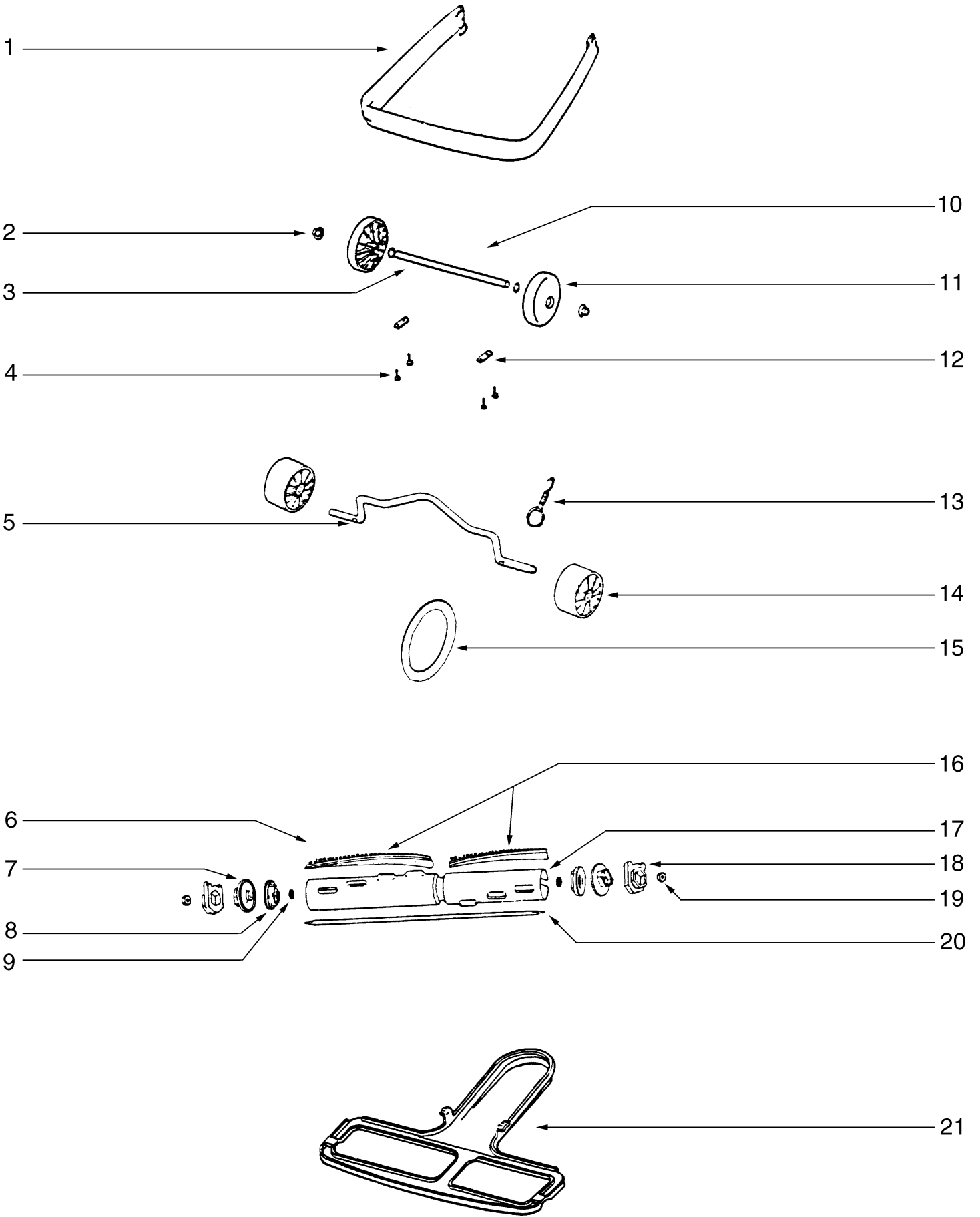


S670A

1.	38054-3	GRIP ASSEMBLY
2.	53143	SCREW - pkg of 10
3.	14302-3	KNOB
4.	12601-8	LENS
5.	60192-1	WIRE SPLICE - pkg of 5
6.	35958A	HEADLIGHT SOCKET ASSEMBLY
7.	53238-14	MOTOR MOUNTING SCREW - pkg of 10
8.	56383SV	AIR INLET DUCT ASSEMBLY (R.H.)
9.	54352-3	MOTOR ASSEMBLY
10.	25462A	LIGHT SHIELD
11.	53228-2	SCREW - pkg of 10
12.	55296	WIRE & TERMINAL ASSEMBLY
13.	53213-5	NUT - pkg of 10
14.	53097	FOOT PEDAL SPRING - pkg of 10
15.	53140	CLAMP & SCREW ASSEMBLY
16.	54408-8	BASE ASSEMBLY*
17.	24964A-1	CAM (R.H.)
18.	24965A-1	CAM (L.H.)
19.	53118	CAM RIVET - pkg of 10
20.	53133	WASHER - pkg of 10
21.	53117	HOOD SPRING - pkg of 10
22.	53089-1	STRAIN RELIEF BUSHING - pkg of 10
23.	54407-4	HOOD & NAMEPLATE**
24.	39500	NAMEPLATE
25.	40009A	HEADLIGHT
26.	53160	CABLE CLAMP - pkg of 5
27.	53238-14	MOTOR SCREW - pkg of 10
28.	56382SV	AIR INLET DUCT ASSEMBLY (L.H.)
29.	30517	MOTOR SEAL GASKET
30.	24834A-3	FOOT PEDAL
31.	53228-2	SCREW - pkg of 10
32.	36263	WHEEL COVER

* INCLUDES ITEMS 17, 18, 19 & 20

** INCLUDES ITEM 24

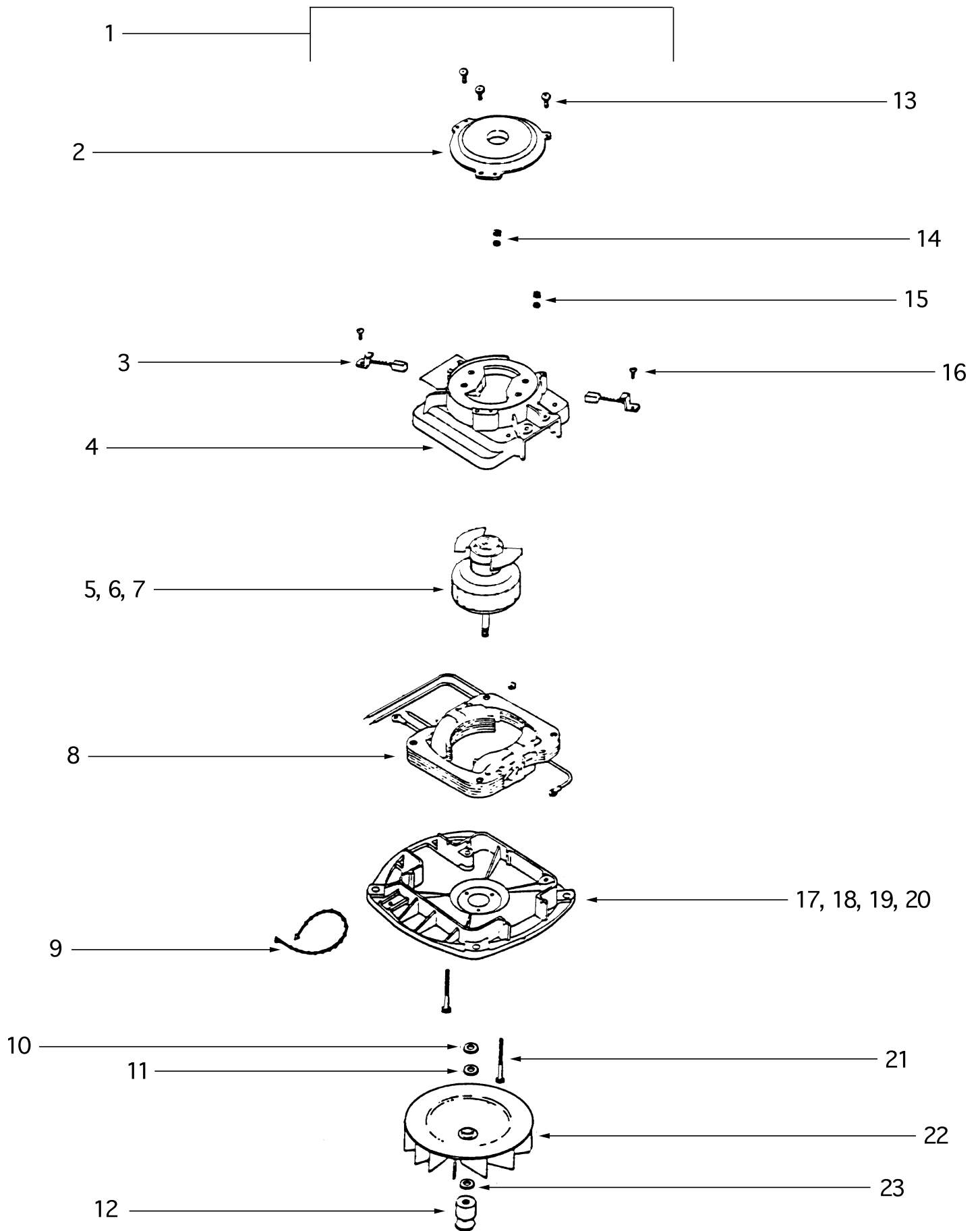


S670A

1.	28504-1	FURNITURE GUARD
2.	53121	PUSH NUT - pkg of 10
3.	37183	REAR AXLE
4.	53238-11	SCREW - pkg of 10
5.	35947A	FRONT AXLE
6.	53270	DISTURBULATOR ASSEMBLY*
7.	26057A	DISTURBULATOR CAP
8.	54256	BEARING & RETAINER ASSEMBLY
9.	53184	KLIPRING
10.	60161	WHEEL & AXLE ASSEMBLY**
11.	26242-119N	REAR WHEEL
12.	53201	AXLE CLAMP - pkg of 10
13.	53076-2	AXLE SPRING - pkg of 6
14.	35859A-1	FRONT WHEEL
15.	52100A	BELT - pkg of 2
16.	52282-4	BRISTLE STRIP SET
17.	13236-3	DISTURBULATOR TUBE
18.	26059A	CAP COVER
19.	53158	NUT - pkg of 10
20.	25937	SHAFT
21.	25922-1	BOTTOM PLATE ASSEMBLY

* INCLUDES ITEMS 7, 8, 9, 16, 17, 19 & 20

** INCLUDES ITEMS 3 & 12

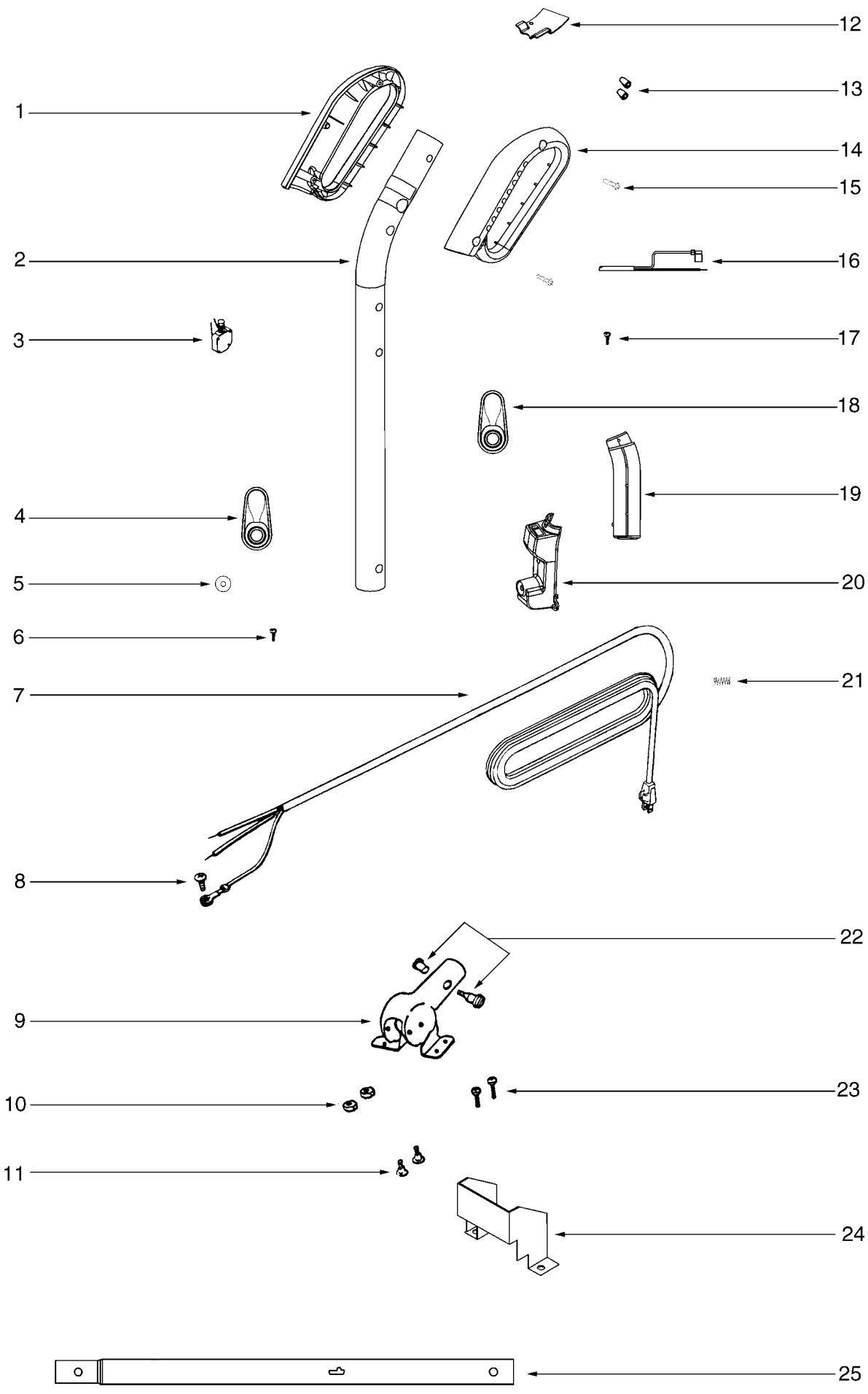


S670A

1.	54352-3	MOTOR ASSEMBLY COMPLETE
2.	20217E	RETAINER ASSEMBLY
3.	30478	MOTOR BRUSH ASSEMBLY
4.	54396	MOTOR COVER
5.	54425-3	ARMATURE FAN & BEARING ASSEMBLY*
6.	53088-5	BEARING - pkg of 5
7.	30474A	FAN
8.	53441-2	FIELD ASSEMBLY
9.	46713-1	CABLE TIE
10.	54811	WASHER - pkg of 10
11.	53148	FAN WASHER - pkg of 10
12.	37012-2	PULLEY
13.	53138	RETAINER SCREW - pkg of 10
14.	56817	HEX NUT
15.	53222-4	LOCK WASHER - pkg of 10
16.	53219-2	BRUSH SCREW
17.	54169-1	MOTOR BASE ASSEMBLY**
18.	20217E	BEARING RETAINER
19.	53088-5	BEARING - pkg of 5
20.	53187-1	RIVET - pkg of 10
21.	53142	ORLO THREAD SCREW - pkg of 10
22.	12988	FAN
23.	53148	FAN WASHER - pkg of 10

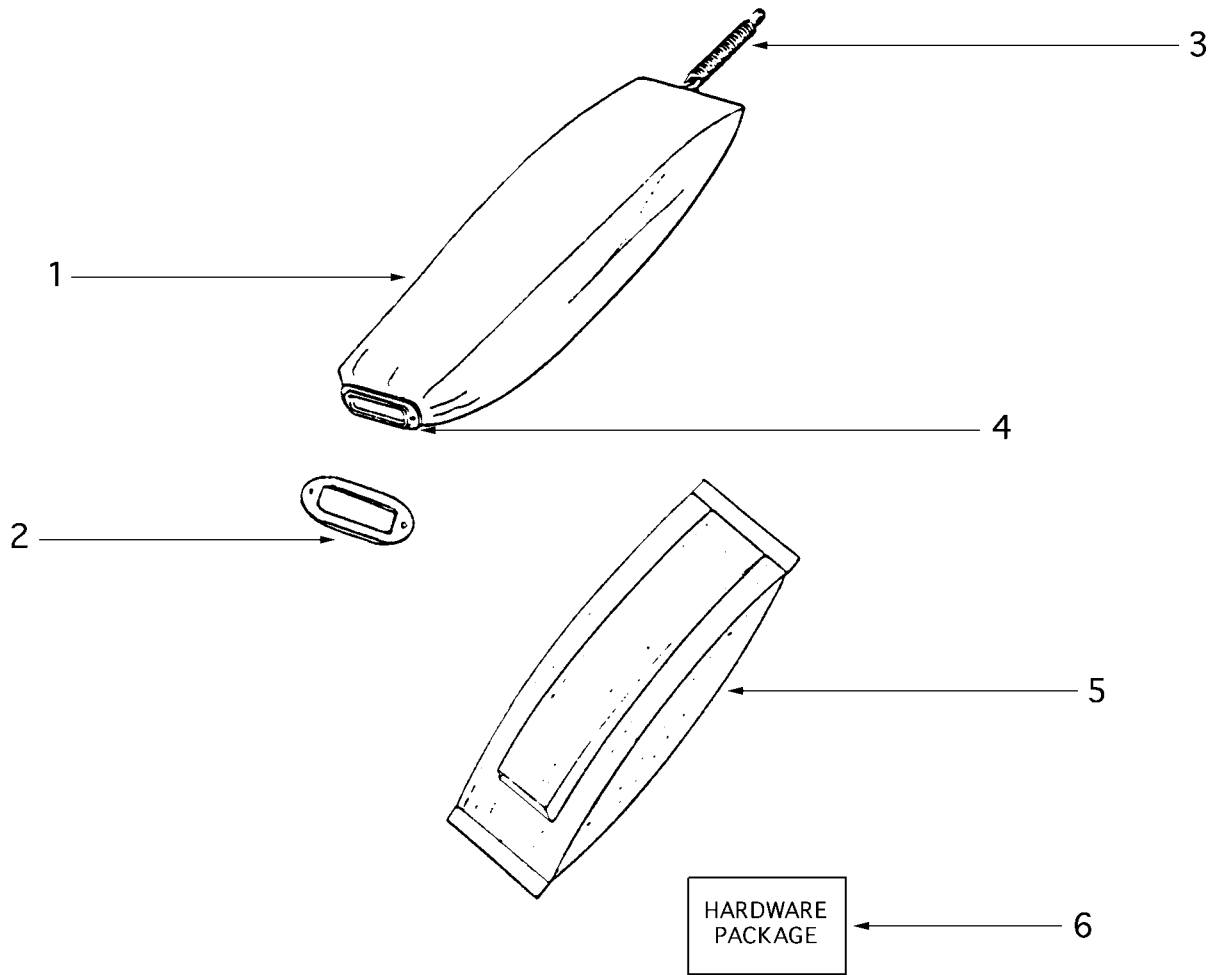
* INCLUDES ITEMS 6 & 7

** INCLUDES ITEMS 18, 19 & 20

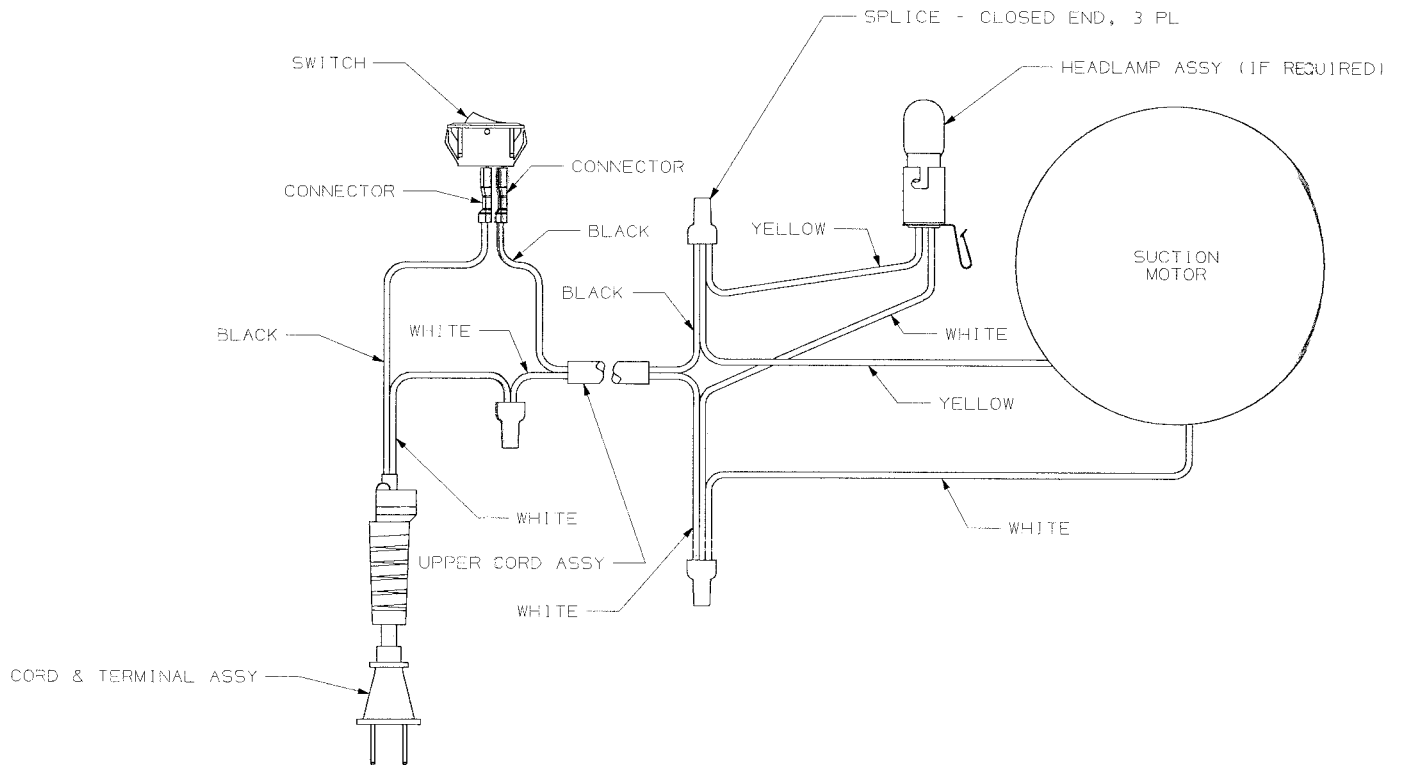


S670A

1.	15596-288N	HANDLE GRIP (L.H.)
2.	28639	UPPER HANDLE TUBE
3.	28305	SWITCH
4.	28316-288N	UPPER CORD RETAINER
5.	60946	WASHER - pkg of 10
6.	60947	SCREW - pkg of 10
7.	38680-25	SUPPLY CORD
8.	53238-13	SCREW - pkg of 10
9.	38183-1SV	HANDLE SOCKET ASSEMBLY
10.	53213-5	NUT - pkg of 10
11.	53145	BOLT - pkg of 10
12.	59741-316N	WIRING SHIELD
13.	60192-1	WIRE SPLICE - pkg of 5
14.	15597-288N	HANDLE GRIP (R.H.)
15.	53197-1	SCREW - pkg of 10
16.	28011-6	UPPER CORD
17.	53238-18	SCREW - pkg of 10
18.	13521-2	LOWER CORD RETAINER
19.	02349A-288N	SWITCH HOUSING (R.H.)
20.	02410A-288N	SWITCH HOUSING (L.H.)
21.	60945	SPRING - pkg of 10
22.	53198-1	SCREW & NUT ASSEMBLY - pkg of 6
23.	53238-13	SCREW - pkg of 10
24.	36439	HANDLE SOCKET SHIELD
25.	12637-8	LOWER HANDLE TUBE



Wiring Diagram 39501



S670A

- | | | |
|----|----------|---|
| 1. | 53469-20 | BAG ASSEMBLY* |
| 2. | 36968 | GASKET |
| 3. | 48410 | BAG SPRING |
| 4. | 52309-1 | ADAPTER, SLEEVE & GASKET ASSEMBLY** |
| 5. | 52320A | DISPOSABLE DUST BAGS (STYLE F&G) - pkg of 3 |
| 6. | 71971-1 | HARDWARE PACKAGE |
| | 71970 | OWNER'S GUIDE - not illustrated |

* INCLUDES ITEMS 2, 3 & 4

** INCLUDES 2