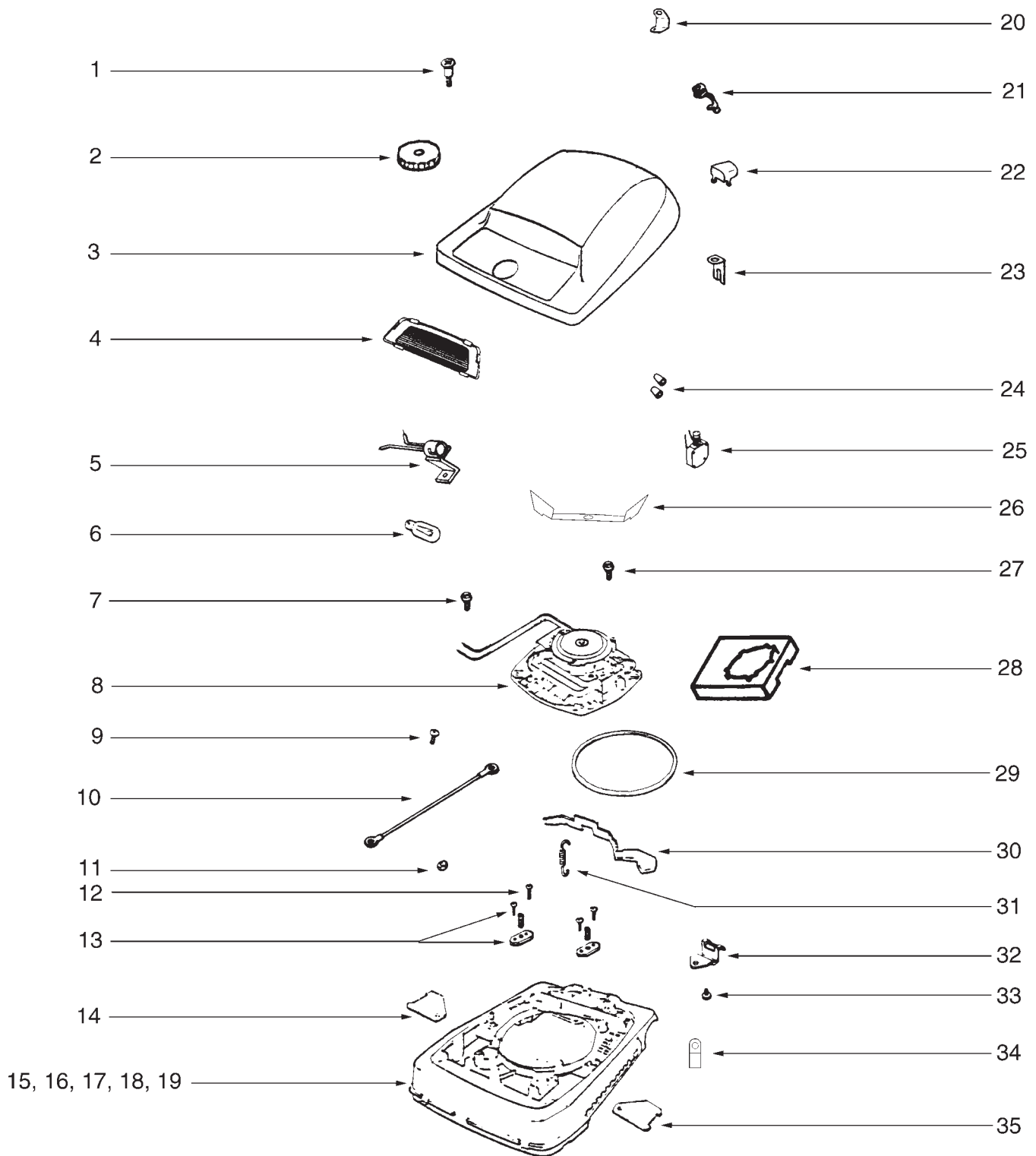


## REPAIR PARTS LIST

SANITAIRE UPRIGHT  
MODEL

# S647B

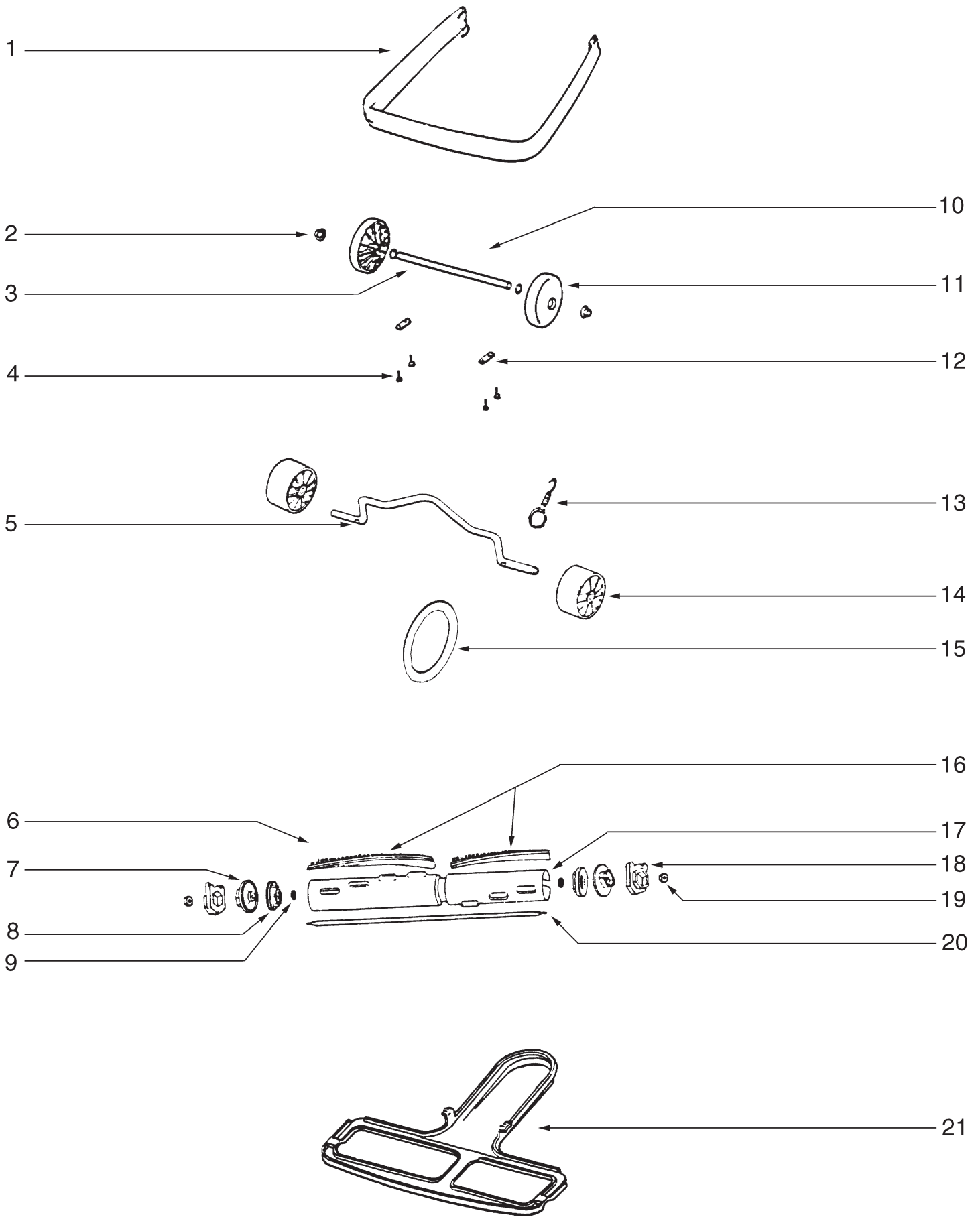
Date: October 29, 2002



## S647B

1.	53143	SCREW - pkg of 10
2.	38053-3	KNOB
3.	54314-9	HOOD ASSEMBLY
4.	14193-1	LENS
5.	35958A	HEADLIGHT SOCKET ASSEMBLY
6.	48815	HEADLIGHT
7.	53238-14	MOTOR MOUNTING SCREW - pkg of 10
8.	54352-3	MOTOR ASSEMBLY
9.	53228-2	SCREW - pkg of 10
10.	55296	WIRE & TERMINAL ASSEMBLY
11.	53213-5	NUT - pkg of 10
12.	53238-13	SCREW - pkg of 10
13.	53140	CLAMP & SCREW ASSEMBLY
14.	36263	WHEEL COVER
15.	54408-7	BASE ASSEMBLY*
16.	24964A-1	CAM (R.H.)
17.	24965A-1	CAM (L.H.)
18.	53118	CAM RIVET - pkg of 10
19.	53133	WASHER - pkg of 10
20.	37590-1	BUSHING BRACKET
21.	53089-1	STRAIN RELIEF BUSHING - pkg of 10
22.	26808-3	SWITCH BUTTON
23.	37989	SWITCH CLIP
24.	60192-1	WIRE SPLICE - pkg of 5
25.	13738-5	SWITCH ASSEMBLY
26.	71146	LIGHT SHIELD
27.	53238-14	SCREW - pkg of 10
28.	38067SV	AIR SEPARATOR
29.	30517	MOTOR SEAL GASKET
30.	24834A-3	FOOT PEDAL
31.	53097	FOOT PEDAL SPRING - pkg of 10
32.	37034	ADAPTER RETAINER SPRING
33.	53238-11	SCREW - pkg of 10
34.	53160	CABLE CLAMP - pkg of 5
35.	36263	WHEEL COVER

\* INCLUDES ITEMS 16, 17, 18 & 19

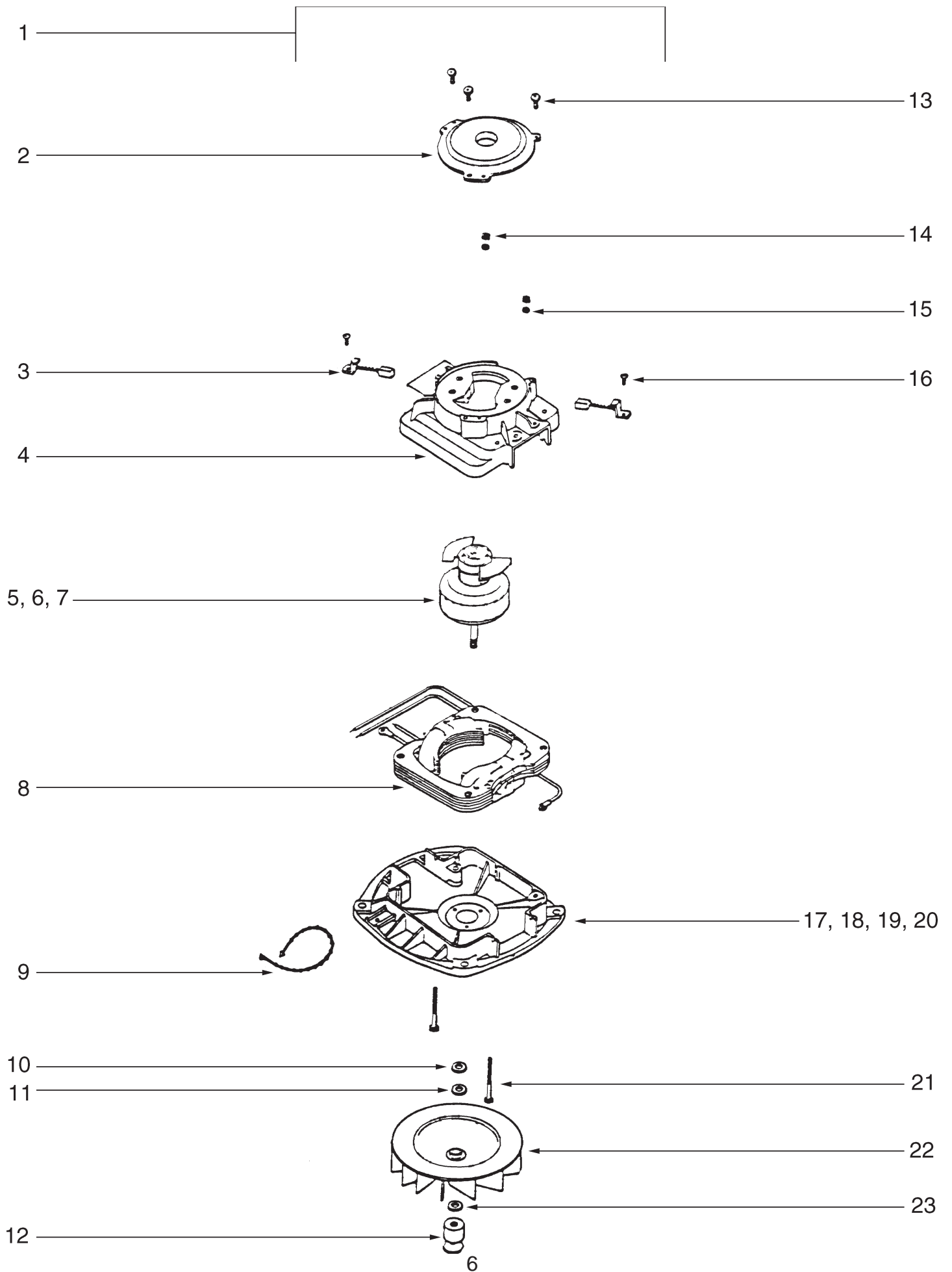


## S647B

1.	26296-18	FURNITURE GUARD
2.	53121	PUSH NUT - pkg of 10
3.	37183	REAR AXLE
4.	53238-11	SCREW - pkg of 10
5.	35947A	FRONT AXLE
6.	53892-1	DISTURBULATOR ASSEMBLY*
7.	27144	DISTURBULATOR CAP
8.	38070SV	BEARING & RETAINER ASSEMBLY
9.	53167	WASHER - pkg of 10
10.	60161	WHEEL & AXLE ASSEMBLY**
11.	26242-119N	REAR WHEEL
12.	53201	AXLE CLAMP - pkg of 10
13.	53076-2	AXLE SPRING - pkg of 6
14.	35859A-1	FRONT WHEEL
15.	52100A	BELT - pkg of 2
16.	52282-4	BRISTLE STRIP SET
17.	13236-3	DISTURBULATOR TUBE
18.	26059A	CAP COVER
19.	53158	NUT - pkg of 10
20.	37378	SHAFT
21.	25922-1	BOTTOM PLATE ASSEMBLY

\* INCLUDES ITEMS 7, 8, 9, 16, 17, 19 & 20

\*\* INCLUDES ITEMS 3 & 11

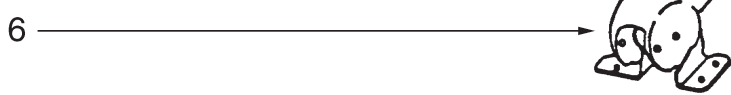
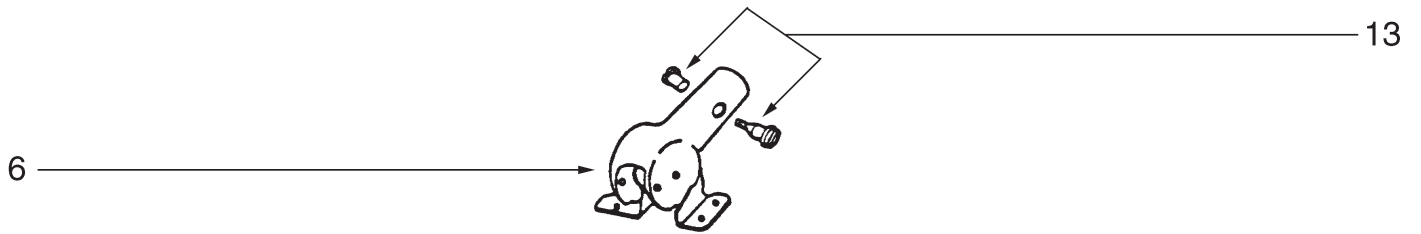
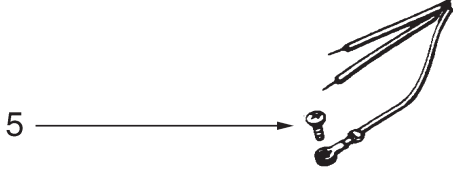
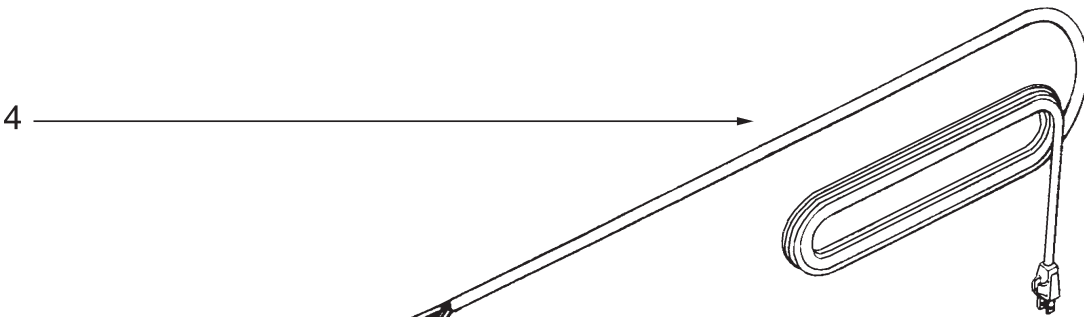
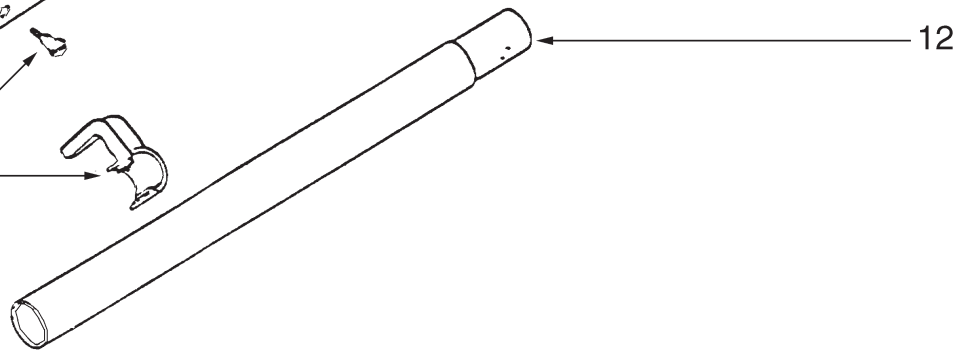
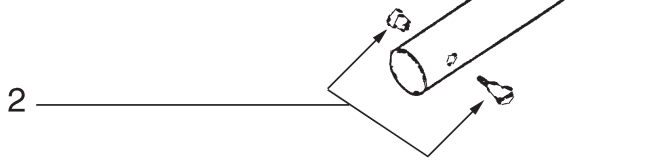
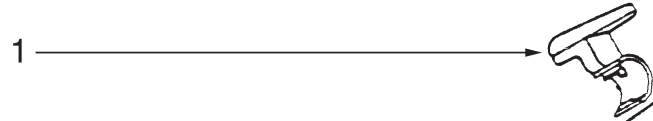
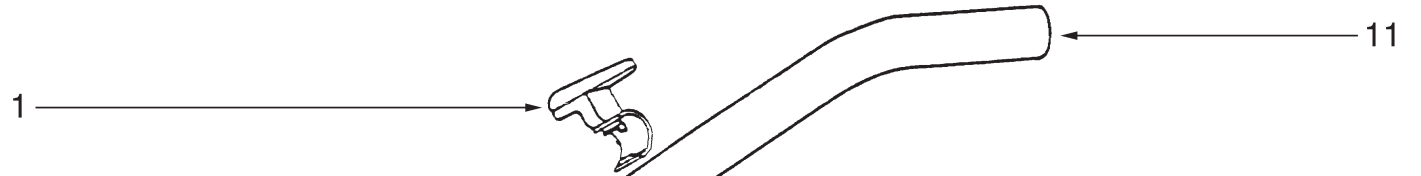


## S647B

1.	54352-3	MOTOR ASSEMBLY COMPLETE
2.	20217E	RETAINER ASSEMBLY
3.	30478	MOTOR BRUSH ASSEMBLY
4.	54396	MOTOR COVER
5.	54425-3	ARMATURE FAN & BEARING ASSEMBLY*
6.	53088-5	BEARING - pkg of 5
7.	30474A	FAN
8.	53441-2	FIELD ASSEMBLY
9.	46713-1	CABLE TIE
10.	54811	WASHER - pkg of 10
11.	53148	FAN WASHER - pkg of 10
12.	37012-2	PULLEY
13.	53138	RETAINER SCREW - pkg of 10
14.	56817	HEX NUT
15.	53222-4	LOCK WASHER - pkg of 10
16.	53219-2	BRUSH SCREW
17.	54169-1	MOTOR BASE ASSEMBLY**
18.	20217E	BEARING RETAINER
19.	53088-5	BEARING - pkg of 5
20.	53187-1	RIVET - pkg of 10
21.	53142	ORLO THREAD SCREW - pkg of 10
22.	12988	FAN
23.	53148	FAN WASHER - pkg of 10

\* INCLUDES ITEMS 6 & 7

\*\* INCLUDES ITEMS 18, 19 & 20

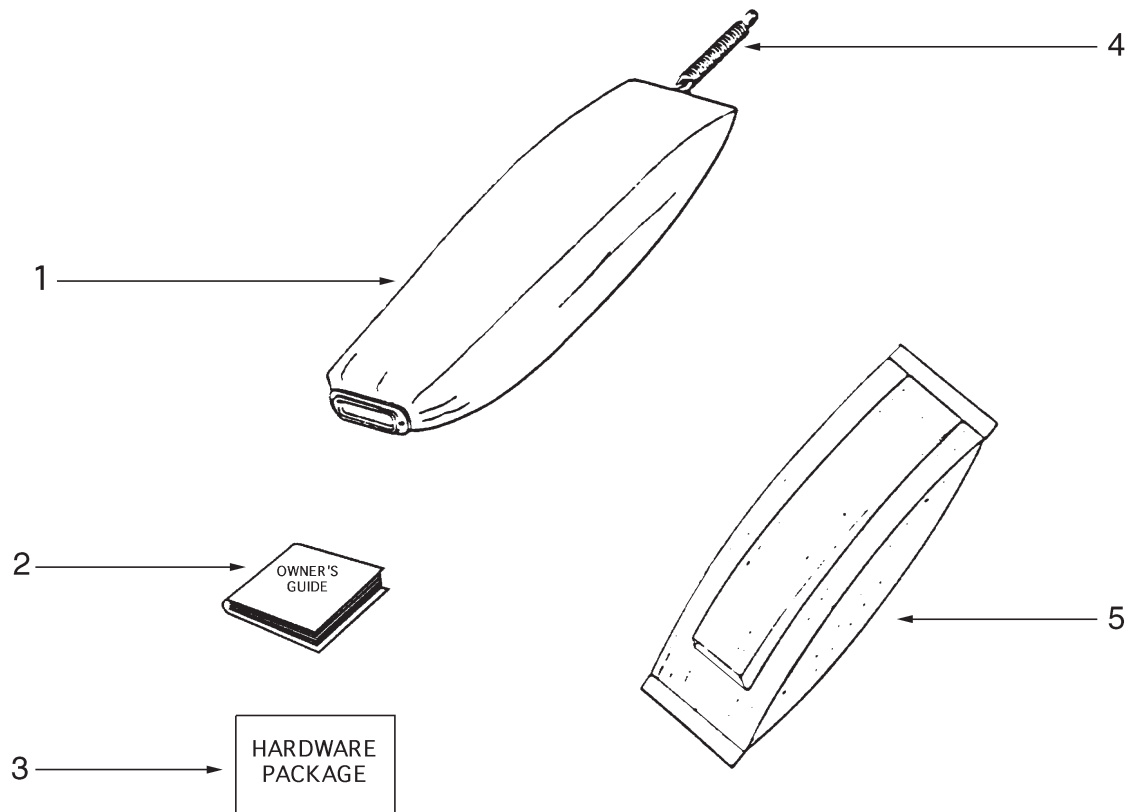




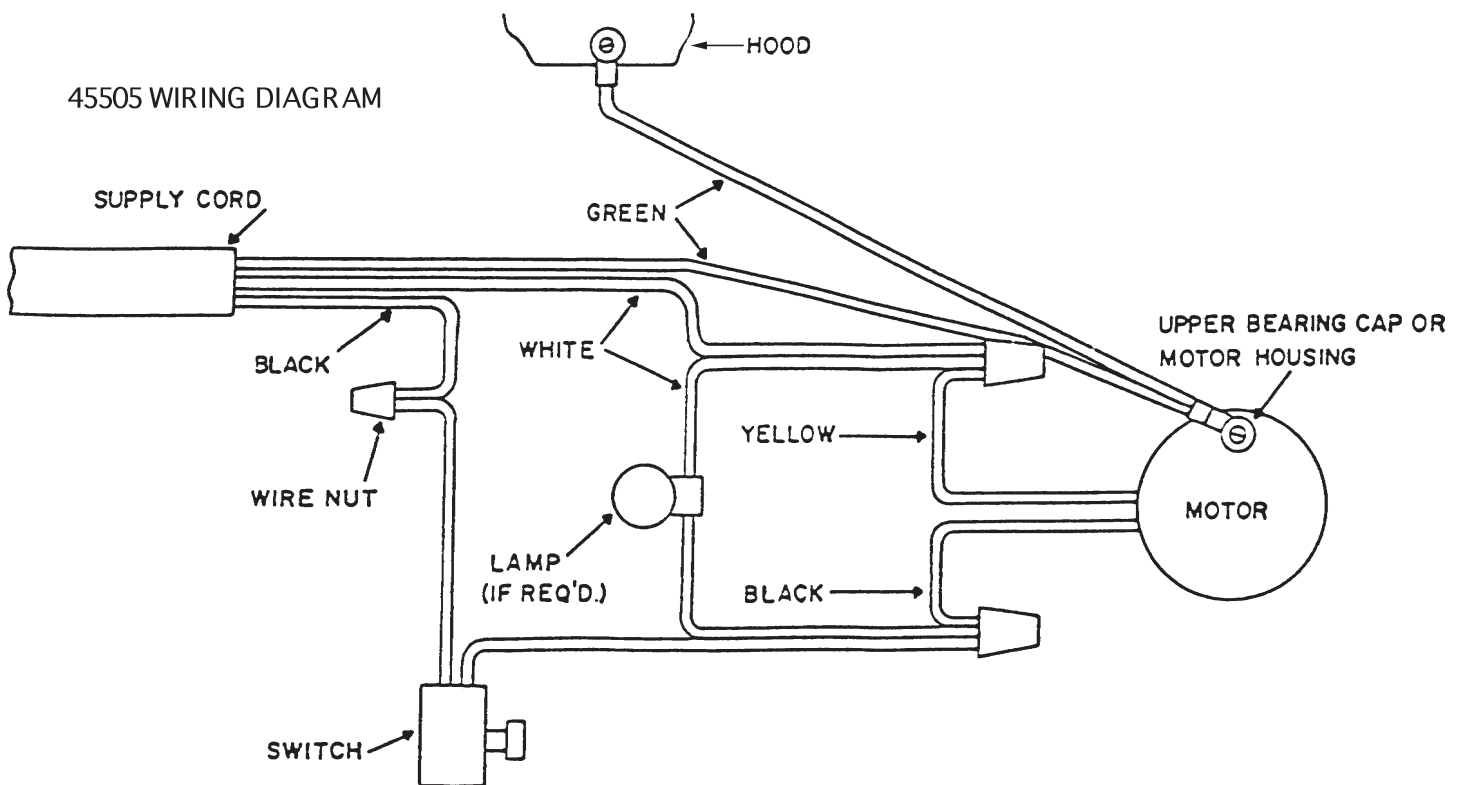
## S647B

- |     |           |  |
|-----|-----------|--|
| 1.  | 36965-2   | UPPER CORD RETAINER                    |
| 2.  | 53198-1   | HANDLE SCREW & NUT ASSEMBLY - pkg of 6 |
| 3.  | 13521-2   | LOWER CORD RETAINER                    |
| 4.  | 27382-10  | SUPPLY CORD                            |
| 5.  | 53238-13  | SCREW - pkg of 10                      |
| 6.  | 38183-1SV | HANDLE SOCKET ASSEMBLY                 |
| 7.  | 53213-5   | NUT - pkg of 10                        |
| 8.  | 53145     | BOLT - pkg of 10                       |
| 9.  | 25103A-4  | HANDLE GRIP                            |
| 10. | 53077     | SPRING - pkg of 5                      |
| 11. | 26176-4   | UPPER HANDLE ASSEMBLY*                 |
| 12. | 12637-8   | LOWER HANDLE TUBE                      |
| 13. | 53198-1   | SCREW & NUT ASSEMBLY - pkg of 6        |
| 14. | 53238-13  | SCREW - pkg of 10                      |

\* INCLUDES ITEM 9



45505 WIRING DIAGRAM



## **S647B**

- |    |          |  |
|----|----------|--|
| 1. | 53977-29 | BAG ASSEMBLY                           |
| 2. | 57825A   | OWNER'S GUIDE                          |
| 3. | 55332A   | HARDWARE PACKAGE                       |
| 4. | 47722    | BAG SPRING                             |
| 5. | 52320A   | DISPOSABLE BAGS (STYLE F&G) - pkg of 3 |