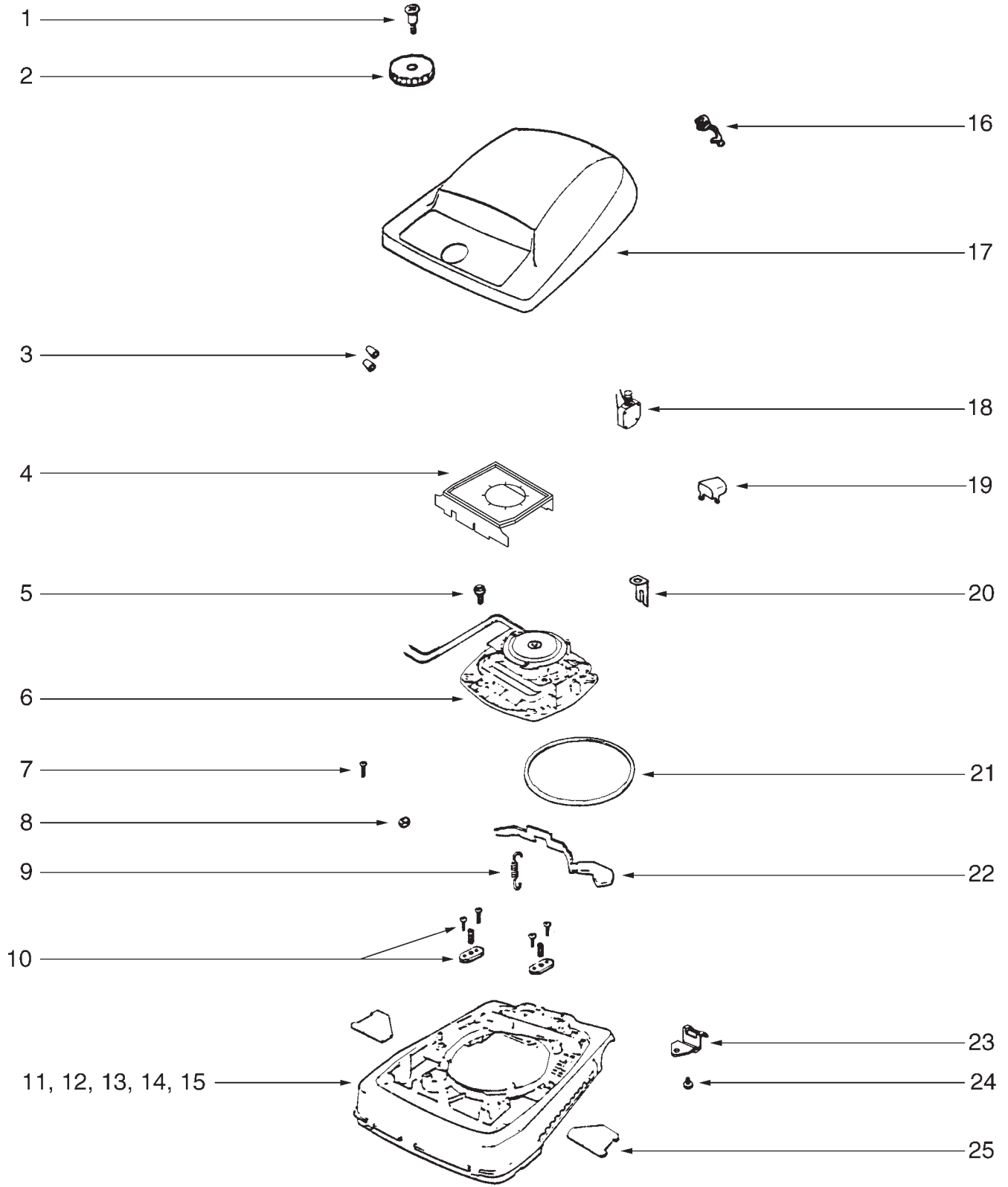


REPAIR PARTS LIST

SANITAIRE UPRIGHT
MODEL

S634A-1

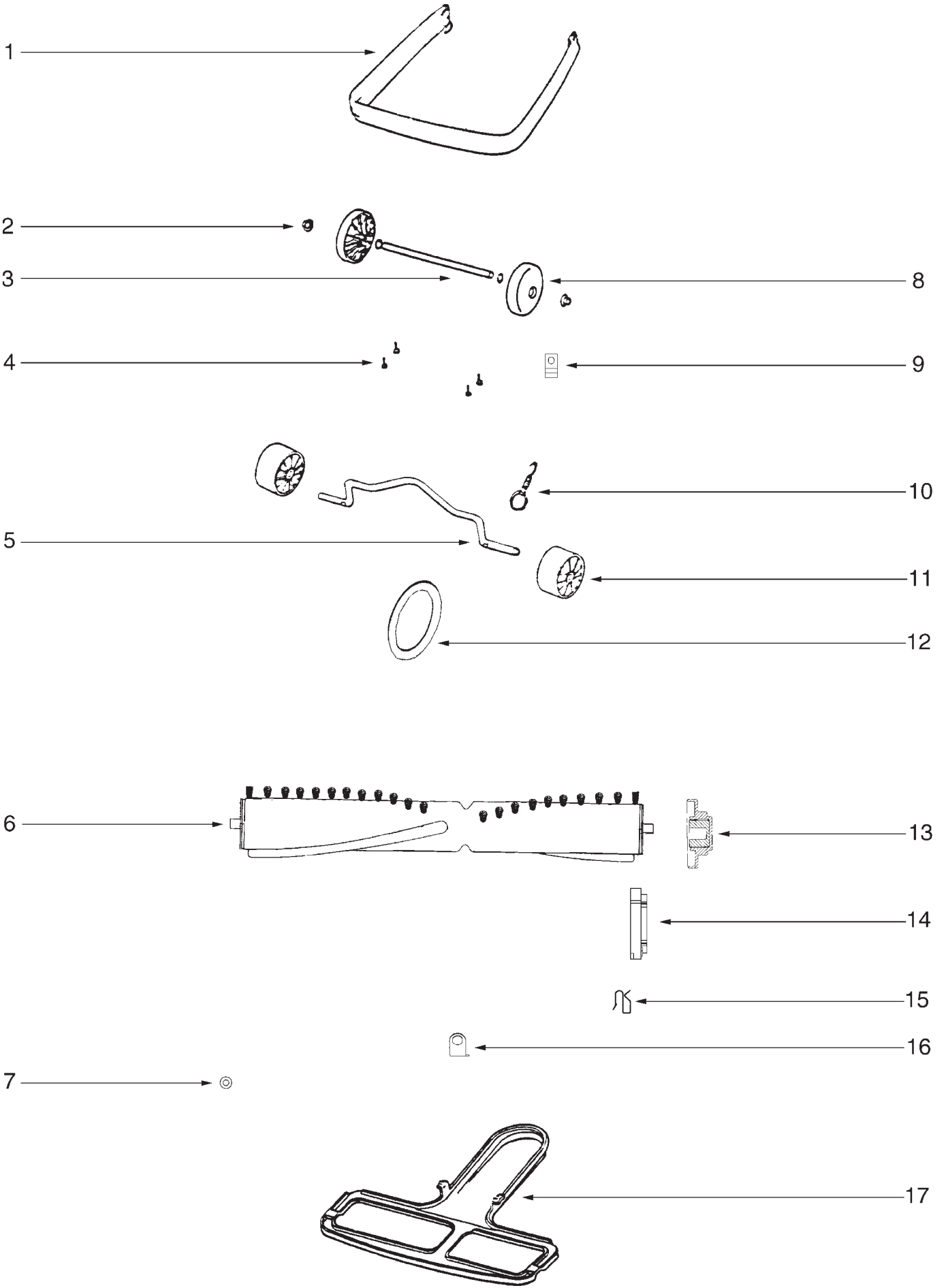
Date: June 24, 2004



S634A-1

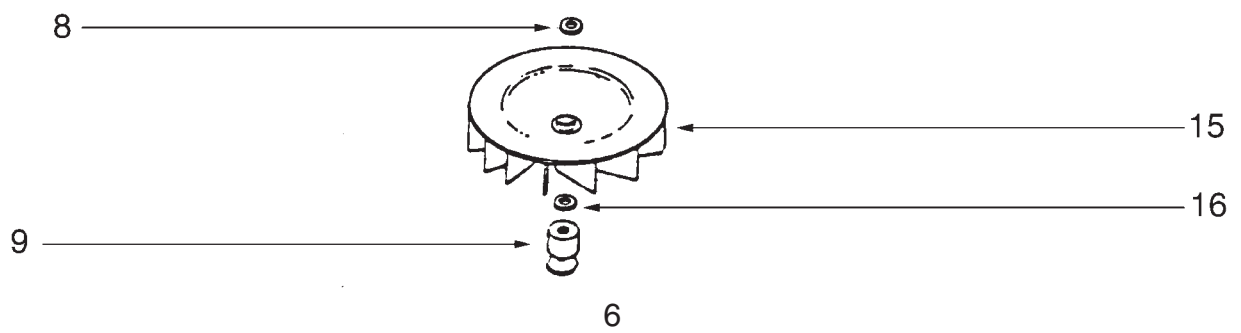
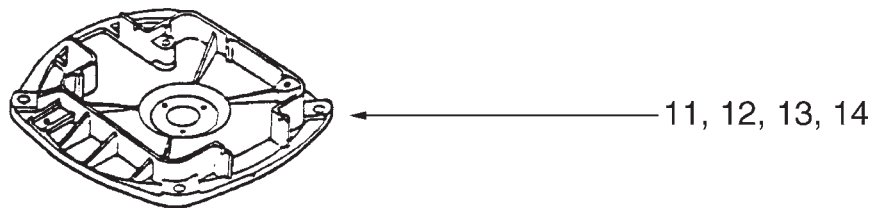
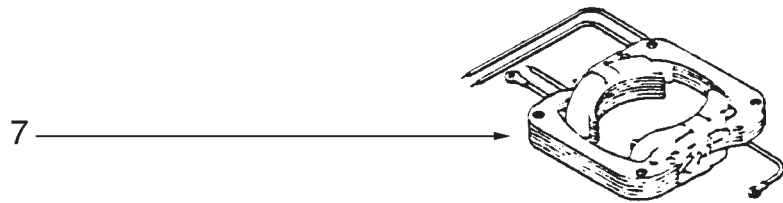
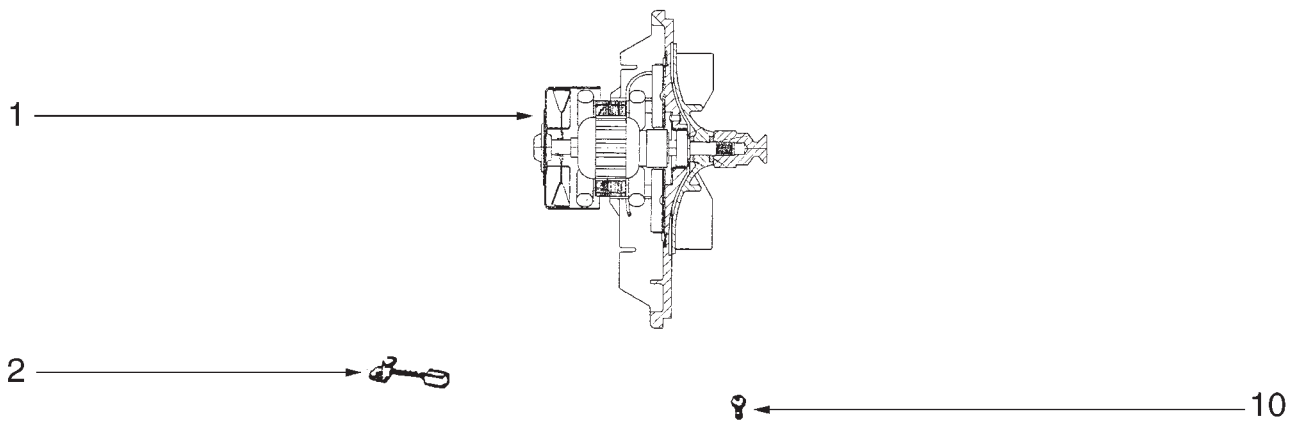
1.	53143	SCREW - pkg of 10
2.	38053-3	KNOB
3.	60192-1	WIRE SPLICE - pkg of 5
4.	37676ASV	AIR SEPERATOR
5.	53238-14	MOTOR MOUNTING SCREW - pkg of 10
6.	53349-7	MOTOR ASSEMBLY
7.	54669-2	SCREW - pkg of 10
8.	53213-5	NUT - pkg of 10
9.	53097	FOOT PEDAL SPRING - pkg of 10
10.	53140	CLAMP & SCREW ASSEMBLY - pkg of 6
11.	54004-5	BASE ASSEMBLY*
12.	24964A-1	CAM (R.H.)
13.	24965A-1	CAM (L.H.)
14.	53118	CAM RIVET - pkg of 10
15.	53133	WASHER - pkg of 10
16.	53122-3	STRAIN RELIEF BUSHING - pkg of 10
17.	54314-8	HOOD ASSEMBLY
18.	13738-5	SWITCH
19.	26808-3	SWITCH BUTTON
20.	37989	SWITCH CLIP
21.	30517	MOTOR SEAL GASKET
22.	24834A-3	FOOT PEDAL
23.	37034	RETAINING SPRING
24.	53238-11	SCREW - pkg of 10
25.	36263	WHEEL COVER

* INCLUDES ITEMS 12, 13, 14, 15, 23 & 24



S634A-1

1.	36342-20	FURNITURE GUARD
2.	53121	PUSH NUT - pkg of 10
3.	47562	REAR AXLE
4.	53238-11	SCREW - pkg of 10
5.	35947A	FRONT AXLE
6.	53350-1	DISTURBULATOR ASSEMBLY
7.	54560	WASHER - pkg of 10
8.	35858-2	REAR WHEEL
9.	53111	CLIP - pkg of 5
10.	53076-2	AXLE SPRING - pkg of 6
11.	35859A-1	FRONT WHEEL
12.	52100A	BELT - pkg of 2
13.	38138	DISTURBULATOR CAP & BEARING
14.	26059A	CAP COVER
15.	55015	CLIP
16.	37590-1	BUSHING BRACKET
17.	25922-1	BOTTOM PLATE ASSEMBLY



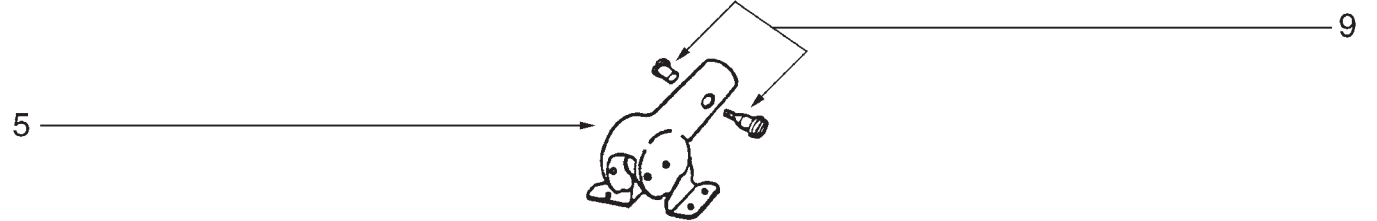
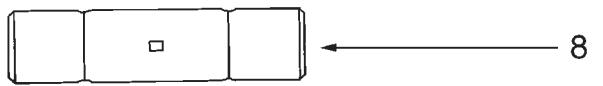
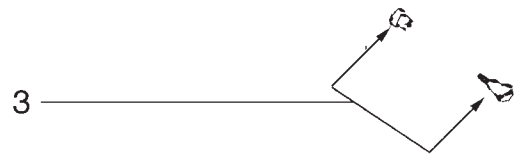
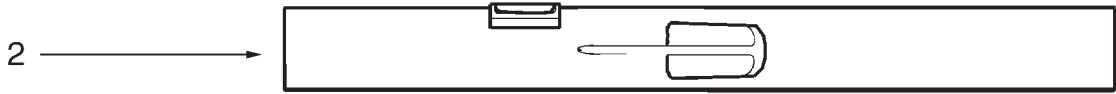
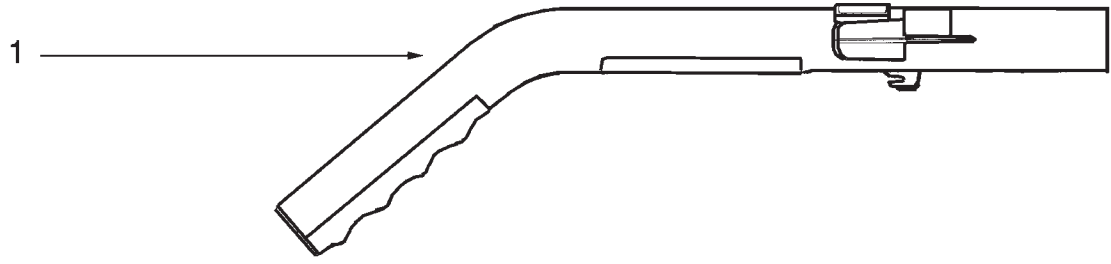
S634A-1

1.	53349-7	MOTOR ASSEMBLY COMPLETE*
2.	25172A-1	MOTOR BRUSH ASSEMBLY
3.	53470-3	ARMATURE FAN & BEARING ASSEMBLY**
4.	53088-4	BEARING - pkg of 5
5.	26136	FAN
6.	54172	MOTOR FAN HOUSING
7.	53901-2	FIELD ASSEMBLY
8.	53148	FAN WASHER - pkg of 10
9.	49507-1	PULLEY
10.	53131-1	RETAINER SCREW - pkg of 10
11.	54171-1	MOTOR BASE ASSEMBLY***
12.	54412-1	BEARING RETAINER
13.	53088-5	BEARING - pkg of 5
14.	53187-1	RIVET - pkg of 10
15.	12988-3	FAN
16.	54811	FAN WASHER - pkg of 10

* INCLUDES ITEMS 2 - 16

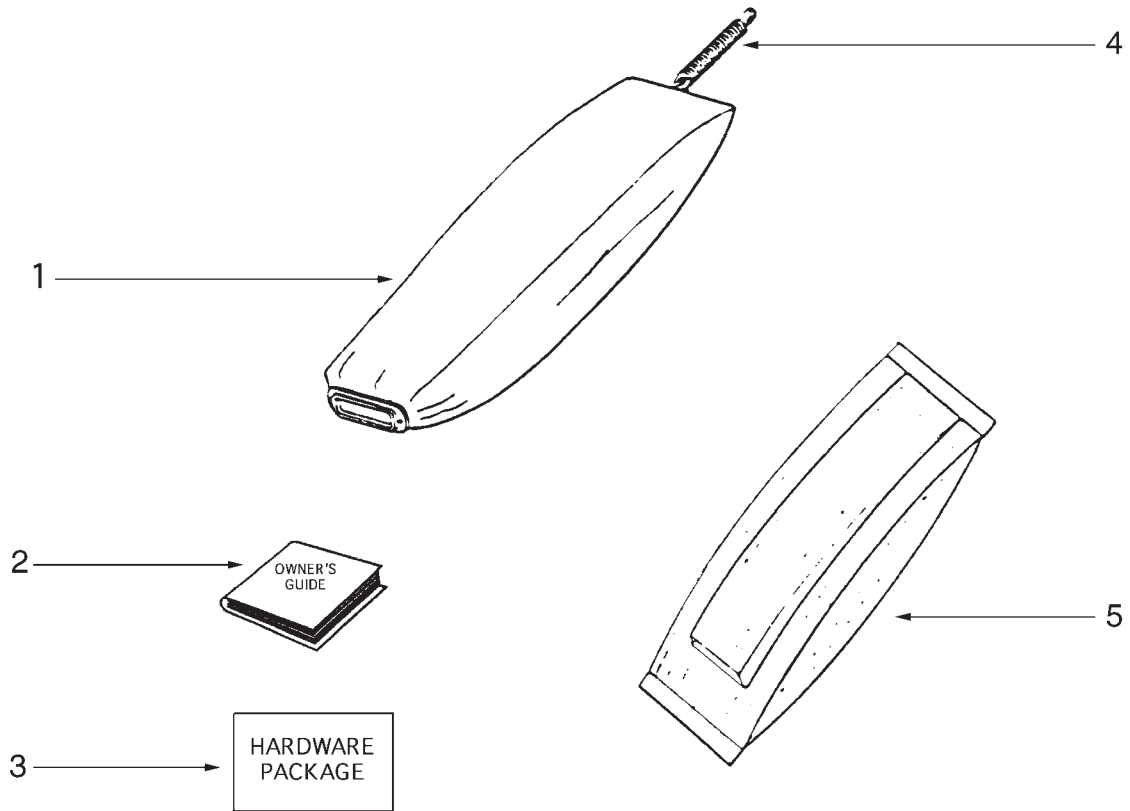
** INCLUDES ITEMS 4 & 5

*** INCLUDES ITEMS 12, 13 & 14

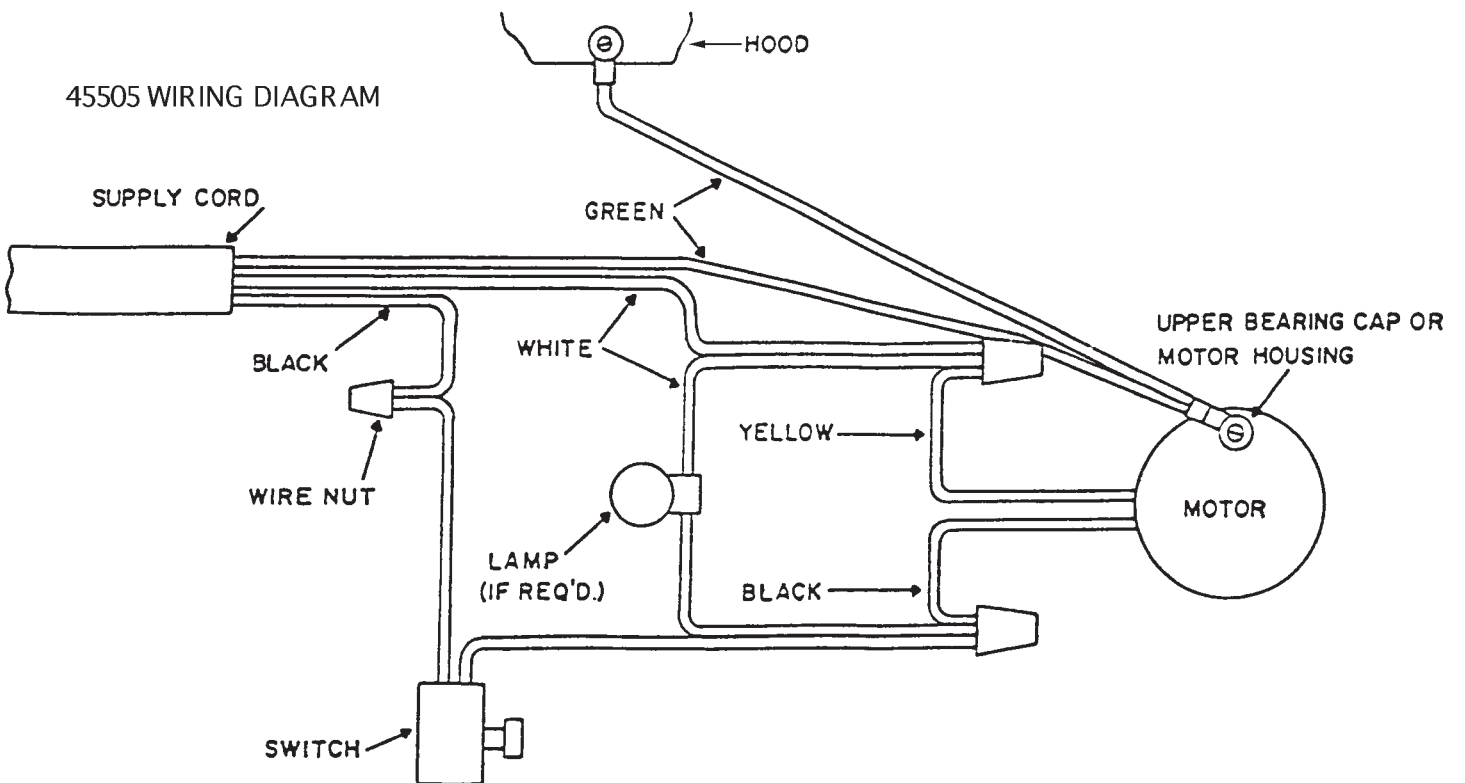


S634A-1

- | | | |
|-----|-----------|---------------------------------|
| 1. | 25989A-5 | UPPER HANDLE ASSEMBLY |
| 2. | 36984-3 | LOWER HANDLE ASSEMBLY |
| 3. | 53198-1 | HANDLE SCREW - pkg of 6 |
| 4. | 39630-3 | SUPPLY CORD |
| 5. | 38183-1SV | HANDLE SOCKET ASSEMBLY |
| 6. | 53213-5 | NUT - pkg of 10 |
| 7. | 53145 | BOLT - pkg of 10 |
| 8. | 25988-3 | HANDLE TUBE CONNECTOR |
| 9. | 53198-1 | SCREW & NUT ASSEMBLY - pkg of 6 |
| 10. | 53238-13 | SCREW - pkg of 10 |
| 11. | 53080-4 | SNAP PIN - pkg of 5 |



45505 WIRING DIAGRAM



S634A-1

- | | | |
|----|----------|--|
| 1. | 53977-29 | BAG ASSEMBLY* |
| 2. | 71383 | OWNER'S GUIDE |
| 3. | 57062B | HARDWARE PACKAGE |
| 4. | 47722 | BAG SPRING |
| 5. | 52320A | DISPOSABLE BAGS (STYLE F&G) - pkg of 3 |