

AIR MOVING MOTOR: 5.7 in. / 144.8 mm. 120 V 3-Stage

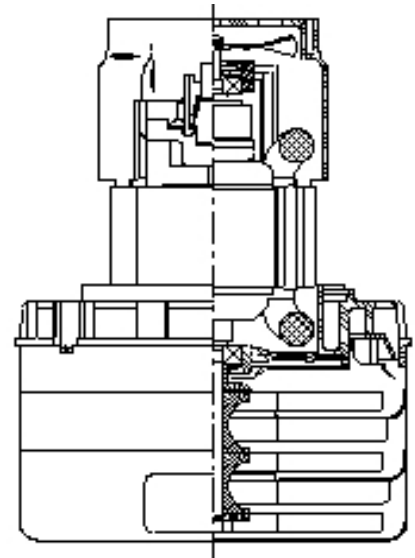
MODEL:116764-00

SPECIFICATIONS

Motor Type:	Series Universal
Input Voltage:	120 VAC, 50/60 Hz
Frequency:	50/60 Hz
Fan Diameter:	5.7 in./144.8 mm
No. Fan Stages:	3
Fan System Style:	Bypass
Air Discharge:	Peripheral (Acustek)
Operating Temp:	32-104°F/0-40°C
Bearing System:	Ball/Ball
Frame:	Skeleton
Brush Type:	Carbon
Inlet Tube Dia.:	None
RFI Choke:	None
Speed:	1

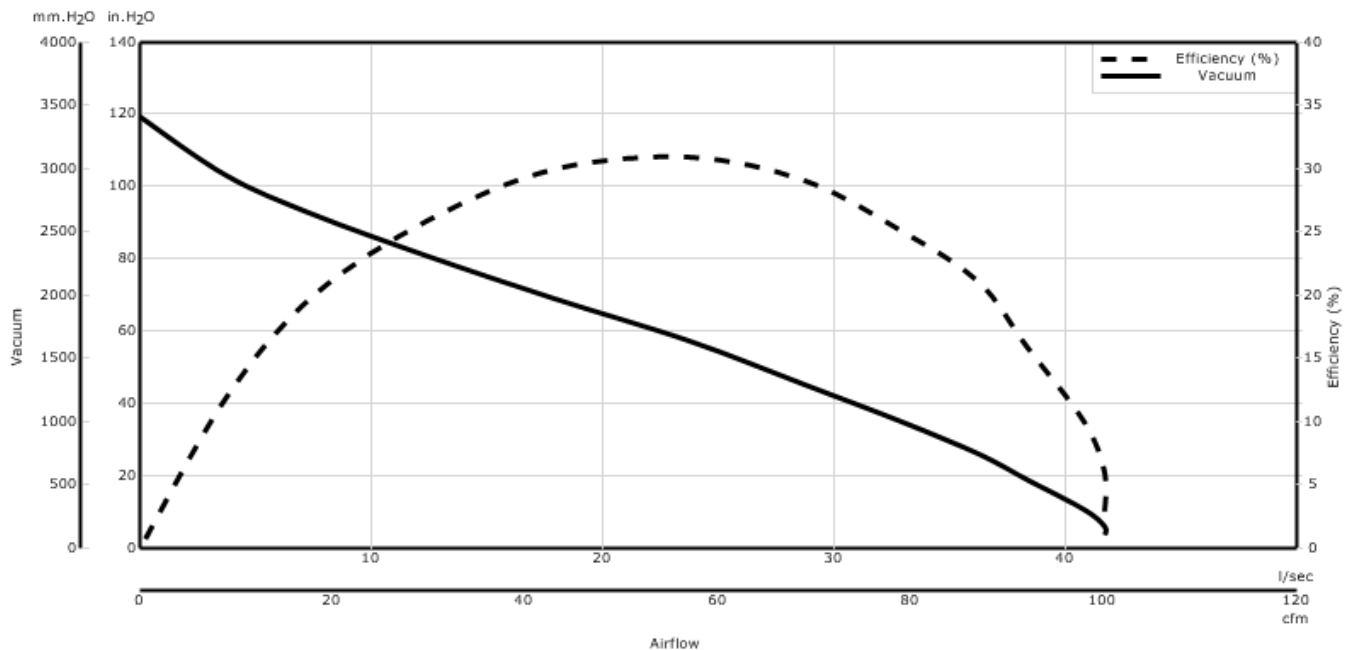
ADDITIONAL FEATURES

Regulatory:	UL Recognized, CSA certif
Comm Bracket:	Aluminum
Fan Bracket:	Plastic
Therm Protect:	None
Insulation Class:	Class A
Added Bearing Prot.:	
Fan Shell Coat:	None
Electrical Conn.:	Lead Wires
Duty Cycle:	Intermittent
Special Feature:	



Design Application

PERFORMANCE



* Data represents performance of a typical motor sampled from a large production quantity. Individual motor data may vary, due to normal manufacturing variations."

Data shown is measured at regulated nominal voltage and normalized to standard atmospheric pressure and temperature.

ENGLISH

Orifice (inches)	Amps	Watts (In)	RPM	Vac (In. H2O)	Flow (CFM)	Air Watts
2.000	10.70	1238	17900	3.5	100.0	41
1.750	10.80	1247	17900	6.0	100.0	71
1.500	10.80	1258	17725	10.6	98.0	121
1.250	11.10	1279	17625	19.3	92.0	207
1.125	11.10	1287	17600	26.3	87.0	268
1.000	11.20	1292	17600	35.1	79.0	326
0.875	11.10	1279	17725	45.3	69.0	365
0.750	10.70	1242	18000	57.3	57.0	382
0.625	10.10	1180	18600	69.3	43.0	353
0.500	9.40	1102	19375	80.9	30.0	285
0.375	8.40	988	20400	92.4	18.0	196
0.250	7.50	888	21475	103.3	9.0	103
0.000	6.80	805	22275	119.6	0.0	0

METRIC

Orifice (mm)	Amps	Watts (In)	RPM	Vac (mm H2O)	Flow (l/Sec)	Air Watts
48.000	10.70	1242	17900	117.0	47.2	54
40.000	10.80	1255	17778	234.0	46.5	106
30.000	11.10	1283	17611	588.0	42.1	241
23.000	11.10	1282	17694	1,086.0	33.7	355
19.000	10.70	1241	18012	1,462.0	26.8	381
16.000	10.10	1182	18576	1,748.0	20.6	354
13.000	9.50	1110	19298	2,025.0	14.8	292
10.000	8.60	1005	20246	2,303.0	9.3	209
6.500	7.50	893	21421	2,610.0	4.5	108
0.000	6.80	805	22275	3,038.0	0.0	0

* Metric data is calculated based on ASTM standards
 Box tests are performed to ASTM F558

WARNING: When using AMETEK vacuum motors in machines that come in contact with foam, liquid (including water), or other foreign substances, the machine must be designed and constructed to prevent those substances from reaching the fan system, motor housing, and electrical components. Ametek motors other than hazardous duty models should not be applied in machines that come in contact with dry chemicals or other volatile materials. Failure to observe these precautions could cause flashing (depending on volatility) or electrical shock which could result in property damage and severe bodily injury, including death in extreme cases. All applications incorporating Ametek motors should be submitted to appropriate organizations or agencies for testing specifically related to the safety of your equipment.