

# AIR MOVING MOTOR: 5.7 in. / 144.8 mm. 240 V 2-Stage

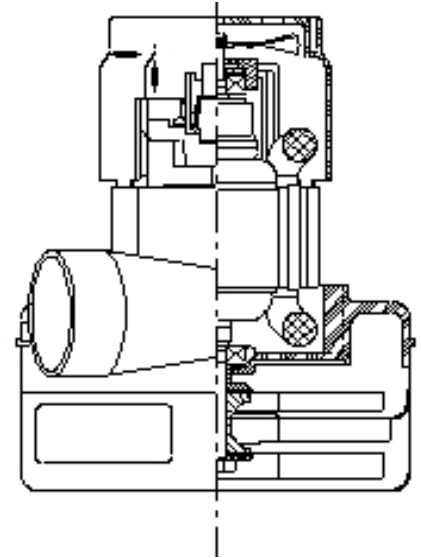
MODEL:116355-00

## SPECIFICATIONS

<b>Motor Type:</b>	Series Universal
<b>Input Voltage:</b>	240 VAC, 50/60 Hz
<b>Frequency:</b>	50/60 Hz
<b>Fan Diameter:</b>	5.7 in./144.8 mm
<b>No. Fan Stages:</b>	2
<b>Fan System Style:</b>	Bypass
<b>Air Discharge:</b>	Tangential
<b>Operating Temp:</b>	32-104°F/0-40°C
<b>Bearing System:</b>	Ball/Ball
<b>Frame:</b>	Skeleton
<b>Brush Type:</b>	Carbon
<b>Inlet Tube Dia.:</b>	None
<b>RFI Choke:</b>	None
<b>Speed:</b>	1

## ADDITIONAL FEATURES

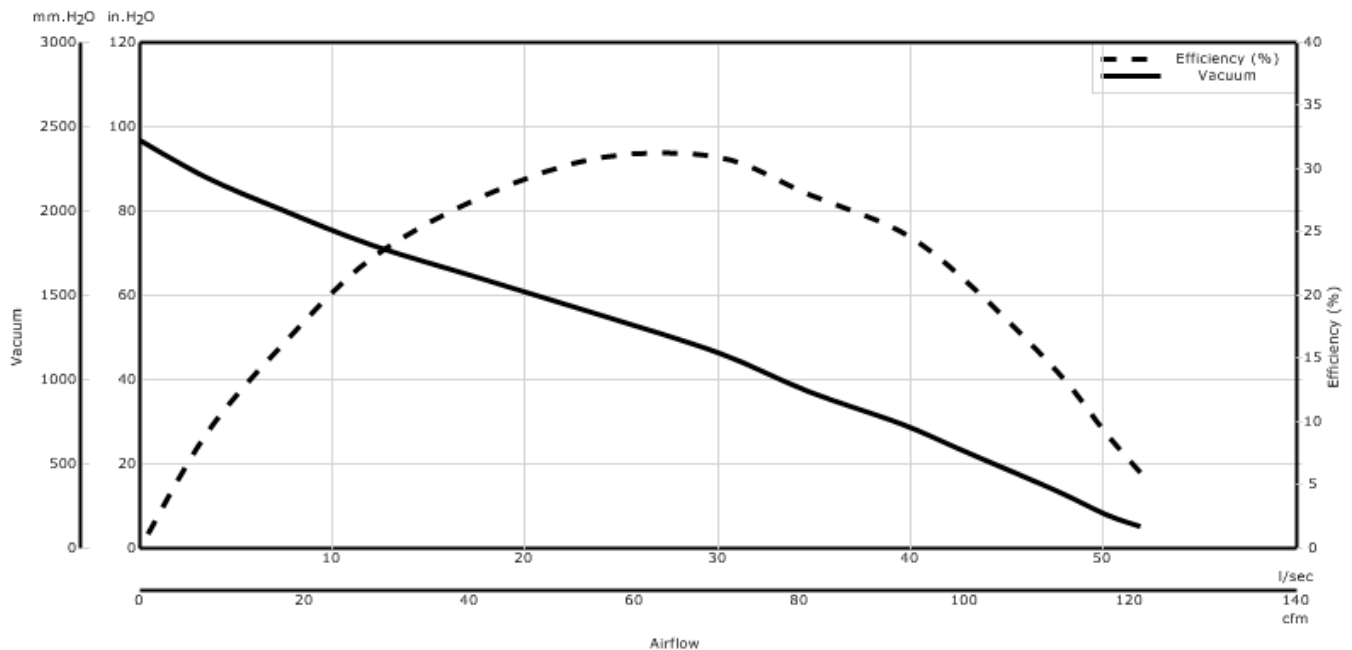
<b>Regulatory:</b>	UL Recognized
<b>Comm Bracket:</b>	Aluminum
<b>Fan Bracket:</b>	Plastic
<b>Therm Protect:</b>	None
<b>Insulation Class:</b>	Class A
<b>Added Bearing Prot.:</b>	
<b>Fan Shell Coat:</b>	None
<b>Electrical Conn.:</b>	Lead Wires
<b>Duty Cycle:</b>	Intermittent
<b>Special Feature:</b>	



## Design Application

Equipment operating in environments requiring separation of working air from motor ventilating air. Designed to handle clean, dry, filtered air only

## PERFORMANCE



\* Data represents performance of a typical motor sampled from a large production quantity. Individual motor data may vary, due to normal manufacturing variations."

Data shown is measured at regulated nominal voltage and normalized to standard atmospheric pressure and temperature.

## ENGLISH

Orifice (inches)	Amps	Watts (In)	RPM	Vac (In. H2O)	Flow (CFM)	Air Watts
2.000	5.60	1283	18917	5.1	121.0	73
1.750	5.70	1286	18886	8.2	117.0	113
1.500	5.70	1290	18854	13.7	111.0	178
1.250	5.70	1293	18822	22.9	100.0	269
1.125	5.60	1284	18915	29.4	92.0	317
1.000	5.50	1263	19151	37.1	81.0	354
0.875	5.40	1235	19468	46.2	70.0	377
0.750	5.20	1185	20075	55.3	56.0	362
0.625	4.90	1119	20900	63.7	42.0	312
0.500	4.60	1043	21883	72.2	28.0	240
0.375	4.20	968	23009	80.4	17.0	159
0.250	3.90	899	24096	88.0	8.0	81
0.000	3.60	842	24925	97.0	0.0	0

## METRIC

Orifice (mm)	Amps	Watts (In)	RPM	Vac (mm H2O)	Flow (l/Sec)	Air Watts
48.000	5.60	1284	18903	164.0	56.3	91
40.000	5.70	1289	18864	306.0	53.2	159
30.000	5.60	1288	18873	672.0	45.1	295
23.000	5.40	1242	19389	1,116.0	34.3	371
19.000	5.20	1184	20092	1,409.0	26.3	361
16.000	4.90	1122	20867	1,609.0	20.1	314
13.000	4.60	1051	21785	1,812.0	13.9	247
10.000	4.30	979	22840	2,011.0	8.8	171
6.500	3.90	902	24042	2,226.0	4.0	85
0.000	3.60	842	24925	2,464.0	0.0	0

\* Metric data is calculated based on ASTM standards  
 Box tests are performed to ASTM F558

WARNING: When using AMETEK vacuum motors in machines that come in contact with foam, liquid (including water), or other foreign substances, the machine must be designed and constructed to prevent those substances from reaching the fan system, motor housing, and electrical components. Ametek motors other than hazardous duty models should not be applied in machines that come in contact with dry chemicals or other volatile materials. Failure to observe these precautions could cause flashing (depending on volatility) or electrical shock which could result in property damage and severe bodily injury, including death in extreme cases. All applications incorporating Ametek motors should be submitted to appropriate organizations or agencies for testing specifically related to the safety of your equipment.