

WALLY™
FLEX

OWNER'S MANUAL

FOR HOUSEHOLD USE ONLY

Please read this document carefully before installing and/or using your WallyFlex.



HEAD OFFICE | CANADA
3, Marcel-Ayotte St | Blainville (Québec) J7C 5L7
Tel.: 450 434-2233 | Fax: 450 434-6111
info@trovac.com

ThinkVacuums.com - 800.322.2965

IMPORTANT SAFETY INSTRUCTIONS

When using this type of attachment, basic precautions should always be followed, including the following. Read all instructions before using this attachment.

1. Do not allow the WallyFlex to be used by young children. THIS PRODUCT IS NOT A TOY.
2. Close attention is necessary when used near children or pets.
3. Use with care, and keep hair, loose clothing and body parts away from vacuum nozzle.
4. Do not vacuum any hot, burning, pointy, or sharp objects.
5. Do not use on wet surfaces or to vacuum liquids.
6. Do not overstretch hose (maximum 13 feet / 4 meters).
7. Do not walk or step on hose.
8. Use caution when pulling hose around corners as it could scuff surfaces or damage the hose.
9. Do not install the WallyFlex in humid areas, around leaking drains or water lines.
10. Do not install the WallyFlex near sources of heat (radiators, stoves etc.).

PREFACE

Whether in the vestibule, the laundry room, the garage or the workshop, the WallyFlex is an essential, practical and safe tool. Its design facilitates its installation and allow for a quick and easy use.

DESCRIPTION

Ready to use stretchable vacuum hose for central vacuum systems.

FEATURES

- Hose stretches up to 13 feet / 4 meters
- Easy to use low voltage switch
- The power of a central vacuum, right at your finger tips
- Easy to install
- Safe to use
- Can be used with most standard vacuum attachments (not included)

INCLUDED

- Stretchable hose
- Control console
- 3 mounting screws
- Back plate
- Owner's manual

KEEP THESE INSTRUCTIONS
ThinkVacuums.com - 800.322.2965

INSTALLATION

Note: For more information about the installation of the WallyFlex, contact your local authorized dealer.

The installation of the WallyFlex is done in **two simple steps:**

STEP 1

Plan the location and the installation of piping and low voltage wire for the WallyFlex.

Parts required (not included):

- As required: fittings, piping and low voltage wire for central vacuum systems
 - Plastic mounting plate, generally used for the installation of vacuum inlets
1. Carefully choose the location for the installation of the WallyFlex, in order to ensure an easy and efficient use (avoid obstacles), depending on the cleaning tasks anticipated.

Note: Make sure that the chosen location is fully accessible for the installation of pipes and low voltage wire (to the central vacuum unit).

2. The WallyFlex can be installed on a wall, or concealed in a closet or cabinet. We recommend that you install the WallyFlex console approximately at 48 inches (1.22 meters) from the floor.
3. Install the piping and low voltage wiring according to manufacturer's recommendations.

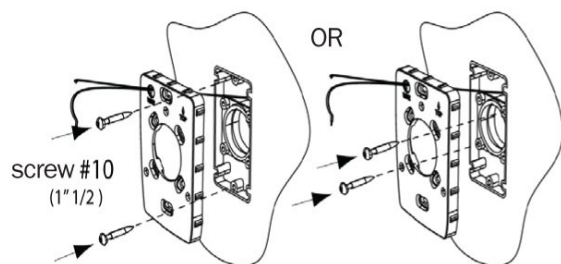
Note: Mounting plate must be installed level.

STEP 2

Install the WallyFlex on the mounting plate (see illustrations).

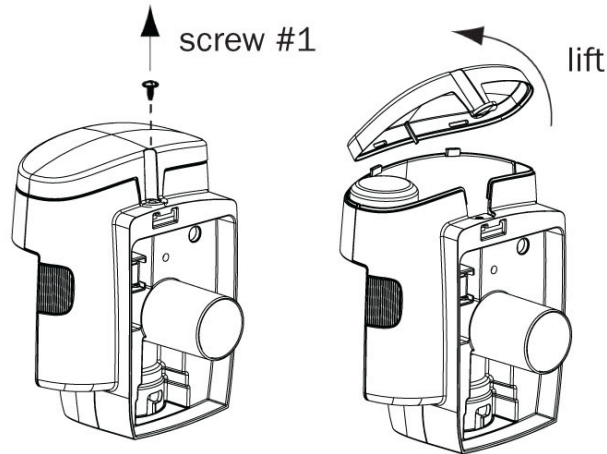
1. Turn OFF the central vacuum system.
2. Align and insert the extension on the back of the console into the inlet orifice on the mounting plate.

Fix the WallyFlex mounting plate with the provided screws. Please note that if a 90° elbow is fixed directly behind the inlet mounting plate and installed either up or down, you must use a #10 1"¼ and a #10 1"½ screws rather than two 1"½ screws. In order to avoid piercing the fitting, use the shorter screw for the hole opposite the elbow.

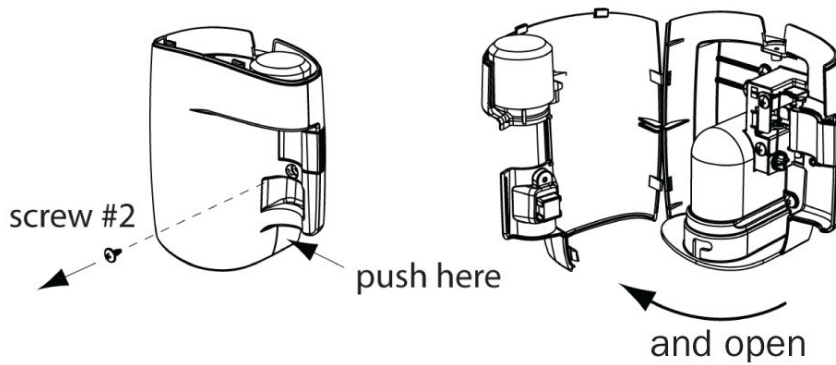


INSTALLATION

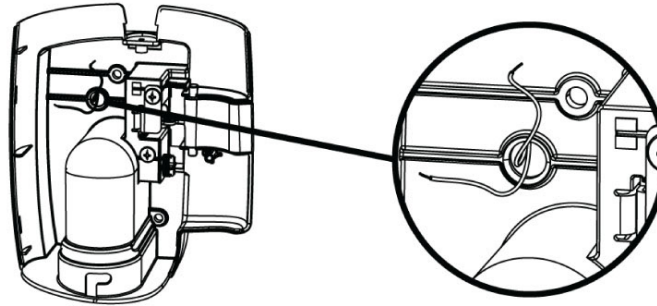
3. Remove screw #1 and lift the cover of the console.



4. Remove screw #2 and open the front panel of the console.

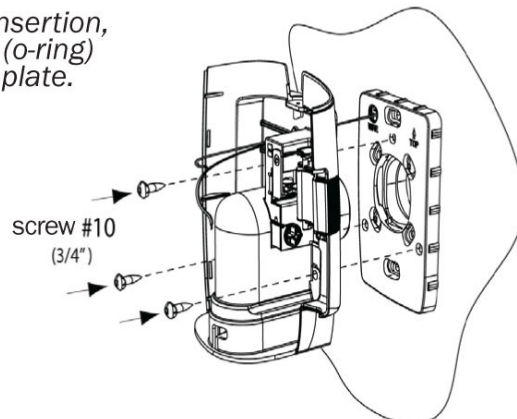


5. Pass low voltage wires through the opening at the back of the console.



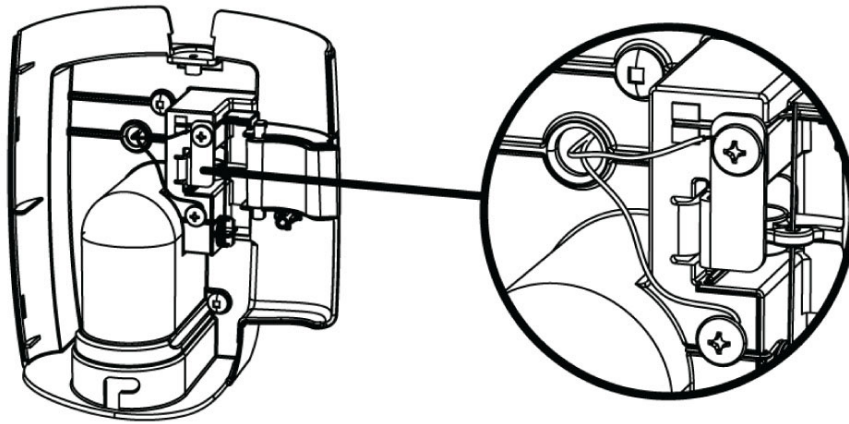
6. Then, fix the console onto its mounting plate with the three short screws (#10 3/4").

To facilitate the insertion, moisten the seal (o-ring) on the mounting plate.

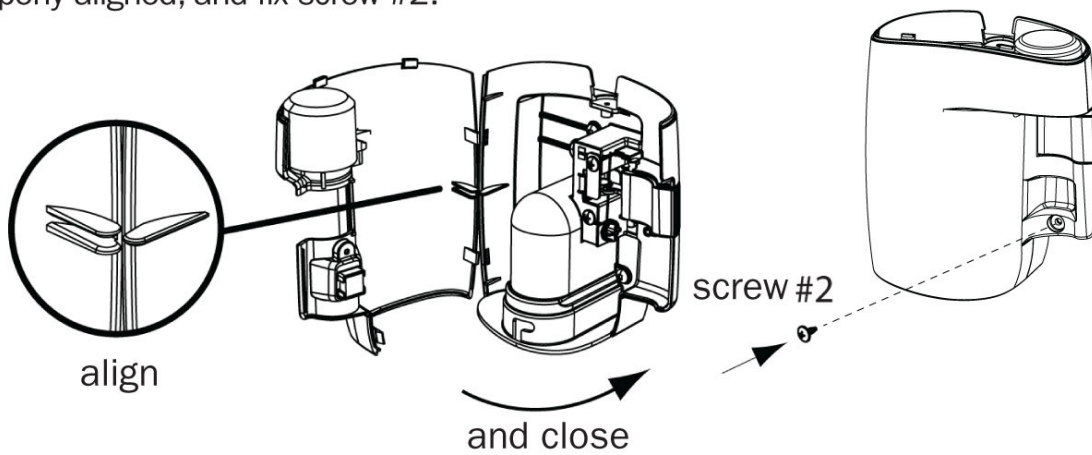


INSTALLATION

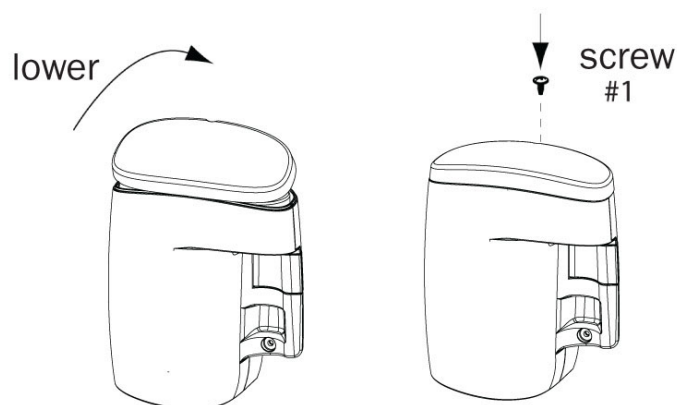
7. Connect the low voltage wires to the terminal screws.



8. Close the front panel of the console, ensuring the tabs on the door and console are properly aligned, and fix screw #2.

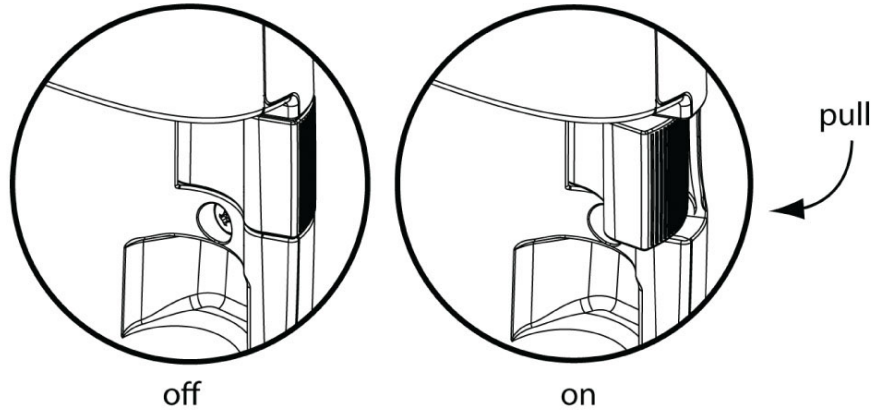


9. Carefully lower the console cover and fix screw #1.

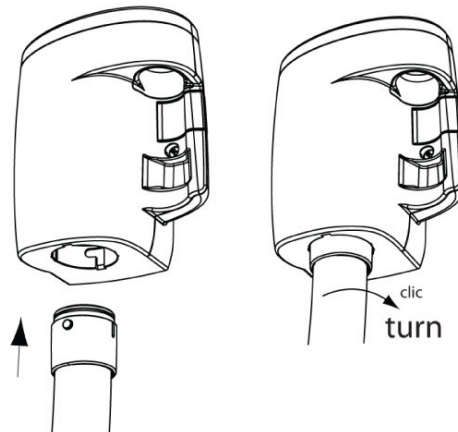


INSTALLATION

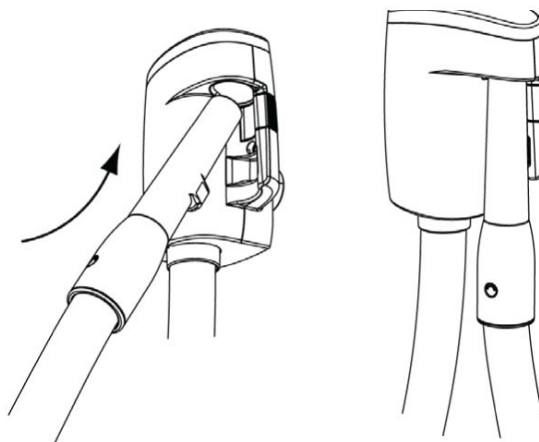
10. Once the installation of the console is completed, turn ON the central vacuum system. Ensure proper functioning of the WallyFlex as per the owner's manual.



11. Insert the hose into the bottom of the console, and secure by rotating the hose clockwise until it clicks.



12. Insert the nozzle into the console. The installation of the WallyFlex is now completed.

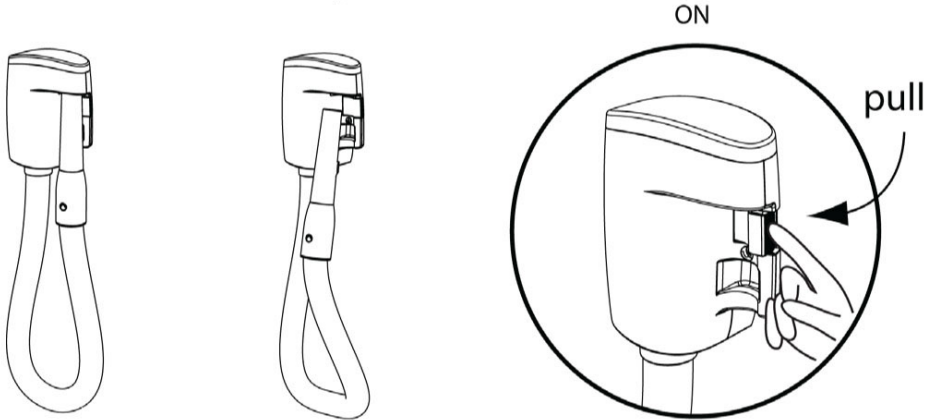


For more information, contact your local authorized dealer.

HOW TO USE YOUR WALLYFLEX

STEP 1

Remove nozzle from the WallyFlex console.



STEP 2

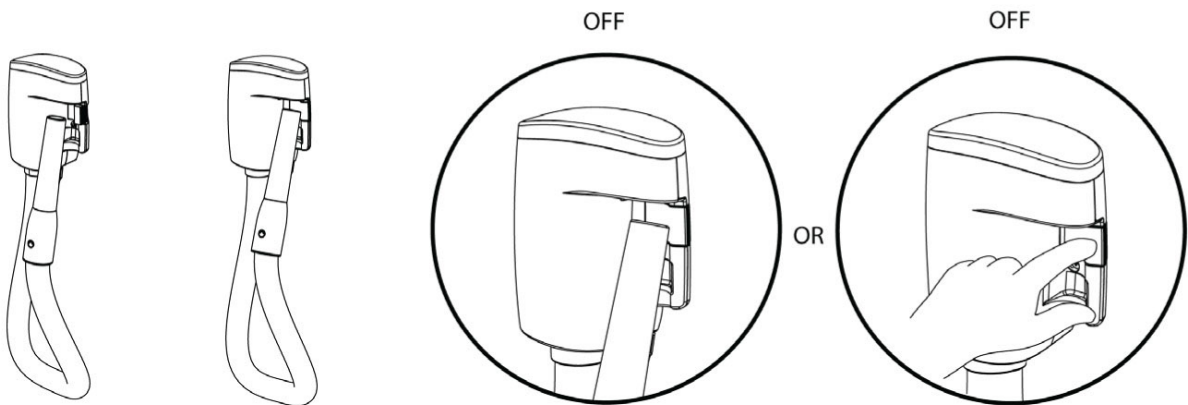
Pull the switch located on the right side of the console. This will activate the central vacuum power unit.

STEP 3

Proceed to cleaning.

STEP 4

When finished, re-insert the nozzle into the WallyFlex console. This will turn off the central vacuum unit and seal the nozzle, allowing the use of other vacuum inlets at full vacuuming power.



Note: When in use, for increased safety, the central vacuum unit can be stopped at any time, simply by pressing the switch on the WallyFlex console.

*If your WallyFlex is not working as described in the owner's manual, contact your local authorized dealer.

MAINTENANCE

For the maintenance of your WallyFlex, clean with mild soap on a soft, damp cloth.

Never use: abrasives, liquid cleaners or aerosols - it may damage the finish of the console.

GENERAL LIMITED WARRANTY

Trovac Industries Ltd. («Trovac») offers a one-year general limited warranty for the WallyFlex, for domestic use only. Trovac makes no other warranty or representation of any kind whatsoever, expressed or implied, except that of title. Any claim relative to this warranty must be accompanied by the original invoice. Any changes or modifications made to the product may invalidate this warranty. This warranty is not transferable.

ONE (1) YEAR LIMITED WARRANTY

The WallyFlex is protected by a one (1) year limited warranty. Trovac guarantees that the WallyFlex will be exempt of any material or manufacturing defect, in normal use conditions. This warranty is valid for a period of one (1) year from the date of purchase, for as long as the customer is the original owner, and is subject to these conditions and restrictions:

- The customer has the responsibility to do the appropriate maintenance of the WallyFlex and to ensure its proper installation (according to Trovac's recommendations). This warranty does not cover inadequate installation.
- This warranty does not cover abusive, commercial or industrial use.
- This warranty does not apply in case of natural disasters, accidents, and acts of God.
- This guarantee does not apply if the WallyFlex has been modified or repaired by a person or service center unauthorized by Trovac Industries Ltd.

CONDITIONS FOR THE EXERCISE OF THE WARRANTY

If the WallyFlex presents a manufacturing or material defect during this one (1) year period: the customer must return the product to the nearest authorized service center along with a copy of the purchase invoice.

Replacement or repair: Trovac will repair or replace the product according to the conditions of the warranty.

The warranty is limited to the value of the replaced product or the repair made to the product. This warranty does not cover the costs related to labor, transportation and reinstallation of the product, or any other fees that may be incurred for the replacement or repair of the product.

DISCLAIMER OF RESPONSIBILITY

Trovac is not responsible for any direct or indirect, consequential, incidental, or special damages arising from the use of the WallyFlex or a product defect.