

VacPort™

By **interVac™**
DESIGN CORP

RECORD THIS INFORMATION FOR
FUTURE REFERENCES

MODEL NUMBER _____

DATE OF PURCHASE _____

PLACE OF PURCHASE _____

Manual # M010 Date: 01-2015

INSTALLATION AND OPERATING MANUAL

MODEL A900 with LED

MODEL A910 without LED



IF YOU SHOULD HAVE ANY QUESTIONS OR EXPERIENCE A PROBLEM WITH YOUR
INTERVAC PRODUCT,

DO NOT RETURN THIS PRODUCT TO THE STORE OR DEALER
PLEASE CALL OUR CUSTOMER SERVICE DEPT. AT: 1-888-499-1925
This unit should be installed by a qualified technician.



InterVac Design Corp.

2939 SW 42nd Avenue, Palm City, FL 34990

Phone 772-463-1400 • USA & Canada toll free 888-499-1925

www.intervacdesign.com • e-mail: intervac@intervacdesign.com

LIFETIME LIMITED WARRANTY

This warranty only covers failures due to defects in materials or workmanship. This warranty does not cover malfunctions which result from accident, misuse, abuse, neglect, mishandling, misapplication, alteration or modification.

ELECTRICAL REQUIREMENTS:

The low voltage Control Wires from your Central Vacuum Cleaner have mostly an output of 24volt AC.

Note: some Central Vacuums have 24volt DC output. If your vacuum does not start --- just reverse the 2 wires at the wire nuts. (reverse the polarity).

Installation: into a kitchen cabinet kick-board or room base board flush with the floor.

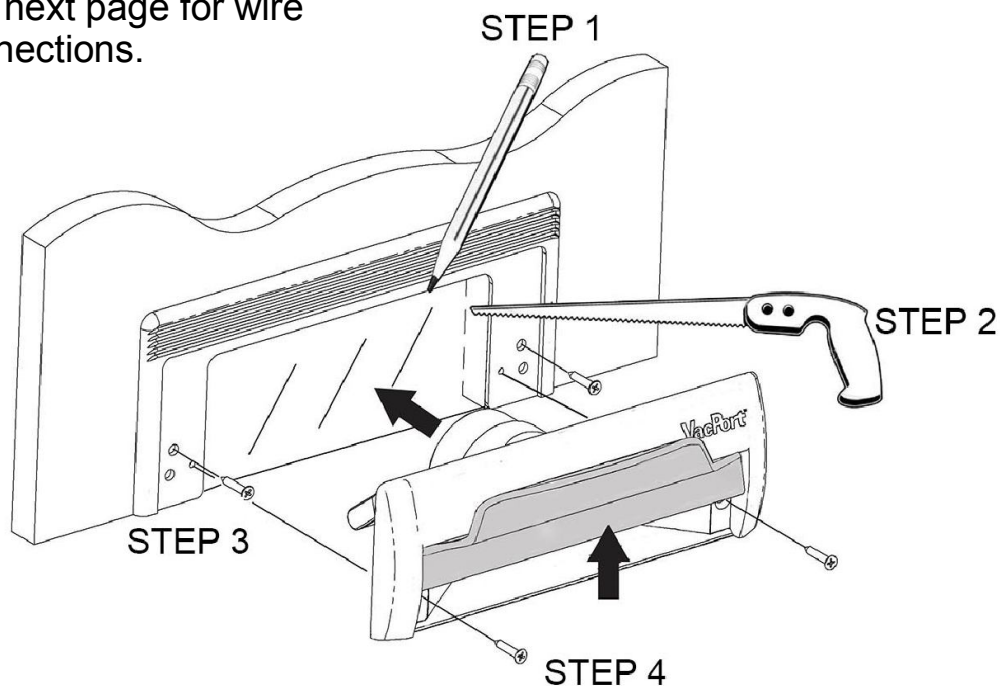
IMPORTANT: DISCONNECT THE POWER TO THE CENTRAL VACUUM BEFORE INSTALLING

WITH TRIM-PLATE INSTALLED:

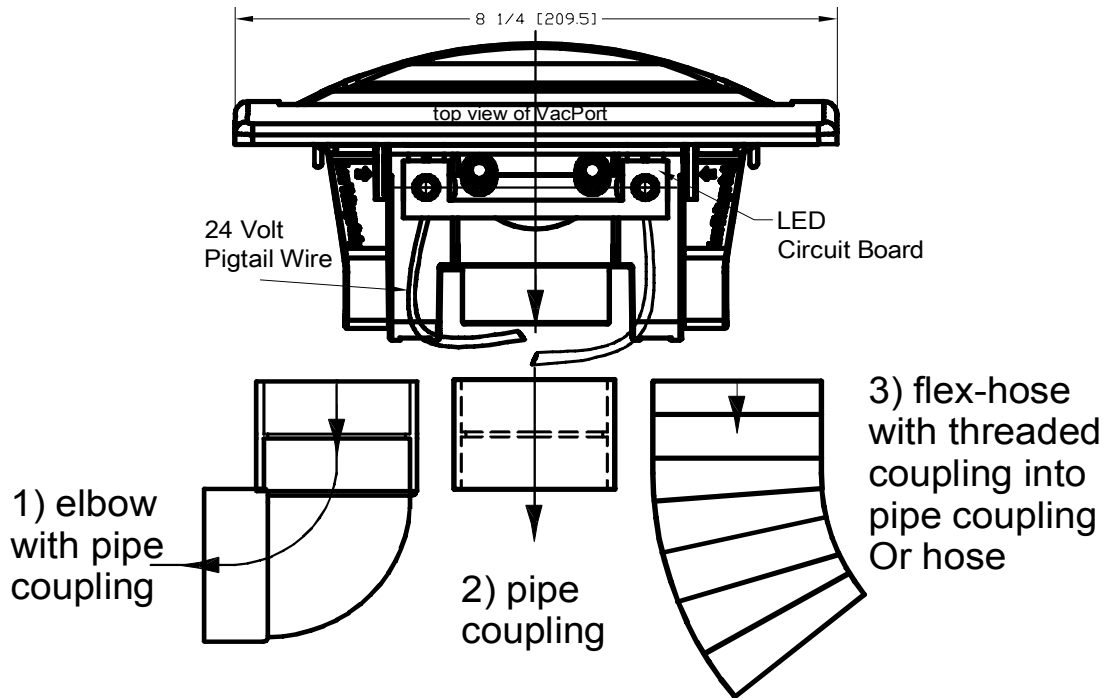
- 1) Your VacPort is supplied with a Trim-Plate in case you need more height to reach into the cut-out. It is also used as a template to mark the cut-out. See STEP1. The minimum opening is 6-1/8" wide x 2-1/2"
- 2) After cutting the hole, STEP2, attach the Trim-Plate with the 2 pan head screws in one of the outer holes on each side, see STEP3.
- 3) Connect the VacPort to your central vacuum with 2" diameter flex-hose.

WITHOUT TRIM-PLATE INSTALLED:

- 4) If you do not need the Trim-Plate, attach the VacPort directly to the wall with the 2 flat head screws, see STEP4. Keep Trim-Plate for future reference.
- 5) See next page for wire Connections.



Connecting the VacPort to your Central Vacuum

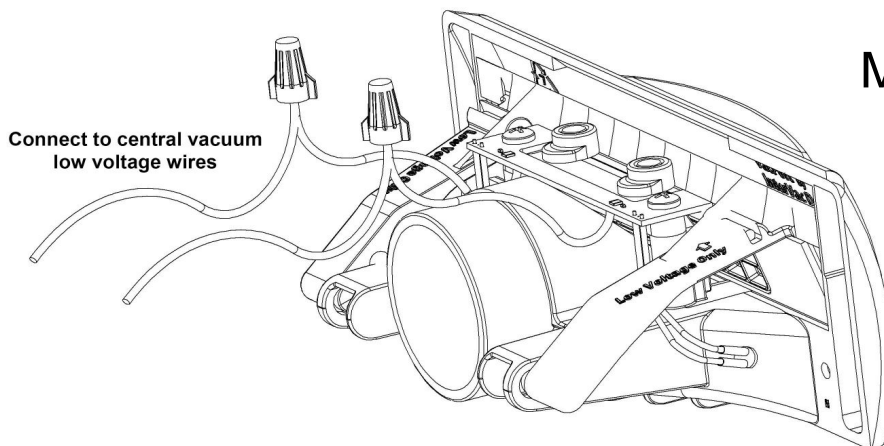


Please Note: The connection to the VacPort should be flexible enough so that you can pull the FLEXIBLE HOSE and central vacuums Low Voltage Wires out of the wall and connect both to the VacPort outside the wall.

You have 3 option to connect to the VacPort:

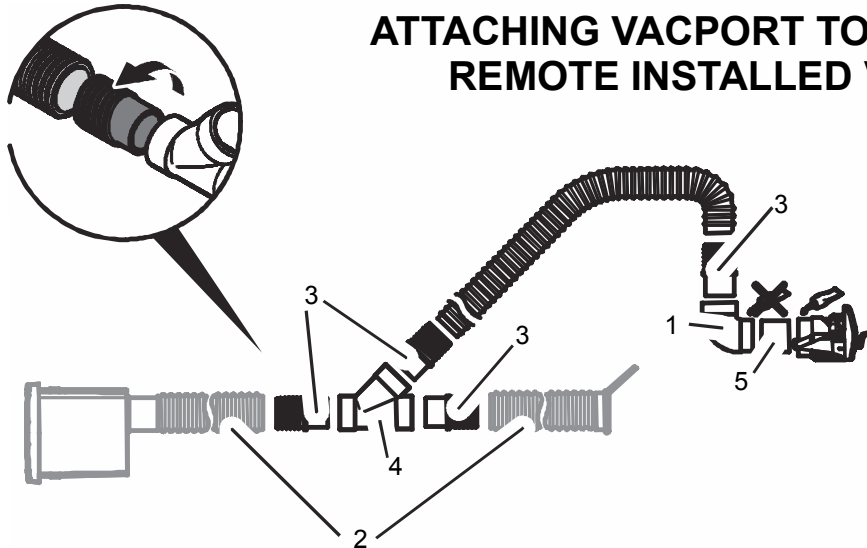
- 1) with PVC cement, glue the elbow to the pipe coupling and then to the VacPort, the other end of the elbow connects to a black threaded pipe coupling. Do not glue this coupling, just twist and press fit into elbow, check if you still can slide the VacPort with the flex-hose attached in or out of the cut-out.
- 2) with pipe coupling, push black threaded coupling directly into pipe coupling.
- 3) with the flexible hose, you can either connect the flexible hose directly with a hose clamp to the VacPort's pipe or connect with the black threaded coupling to the pipe coupling (2)

Connect the 24volt wires from the Central Vacuum to the VacPort.
Leave slack in the wires at the connections.



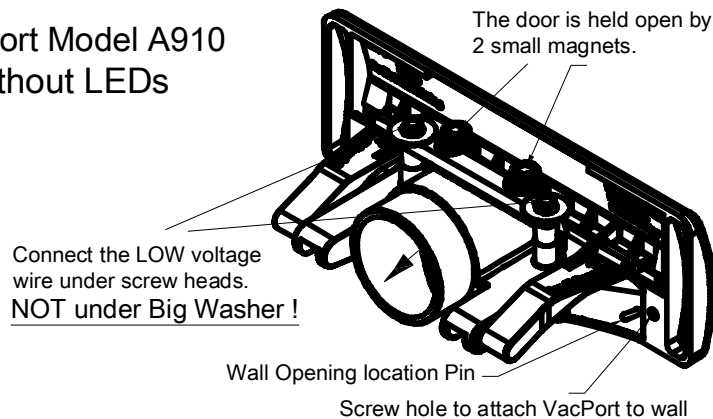
**Model A900
with LED**

ATTACHING VACPORT TO AN EXISTING REMOTE INSTALLED VACUUM

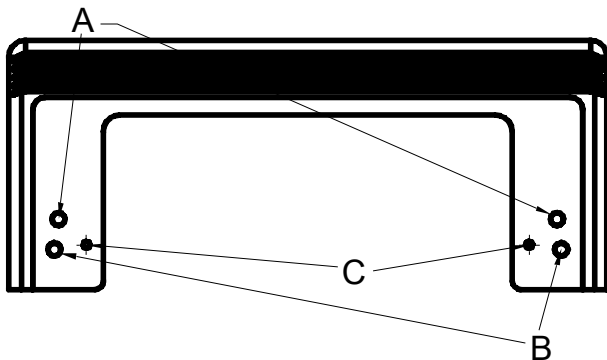


- #1 Elbow fitting, does not need to be installed. Used only in tight spaces.
- #2 Existing 2" diameter Flex-Hose or Vacuum Pipe. If you have vacuum pipe installed, run the pipe straight into the "T" (#4)
- #3 Black Threaded Coupling, 4 supplied. This coupling is screwed counter clockwise into the 2" Flex-Hose, the other end attaches to a pipe fitting with a twist and push. Do not glue!
- #4 45 degree "T" fitting, to attach to the existing hose or pipe.
- #5 Pipe coupling, to be glued to the VacPort. On the other end either glue in the elbow #1 and press-fit the threaded coupling. If elbow is not used just press-fit a threaded coupling #3 into the pipe coupling #5.

VacPort Model A910
Without LEDs



Replacing the 'VacPan' or 'Vacu-Sweep' with a VacPort installation



- 1) Remove old dust pan from the wall.
- 2) Use the same 2 screws and attach Trim Plate, use the holes "A" from the removed VacPan use the holes "B" from the removed the VacuSweep
- 3) Mark the inside of the Trim Plate with a pencil.
- 4) Remove Trim Plate from the wall and cut the opening larger along the pencil line.
- 5) Reattach the Trim Plate to the wall.
- 6) See page 3 how to attach the 24 volt wires and Flex-Hose.
- 7) Now slide the VacPort into the new opening and secure with the 2 #8 flat head tapping screws and attach to the Trim Plate through the "C" holes.