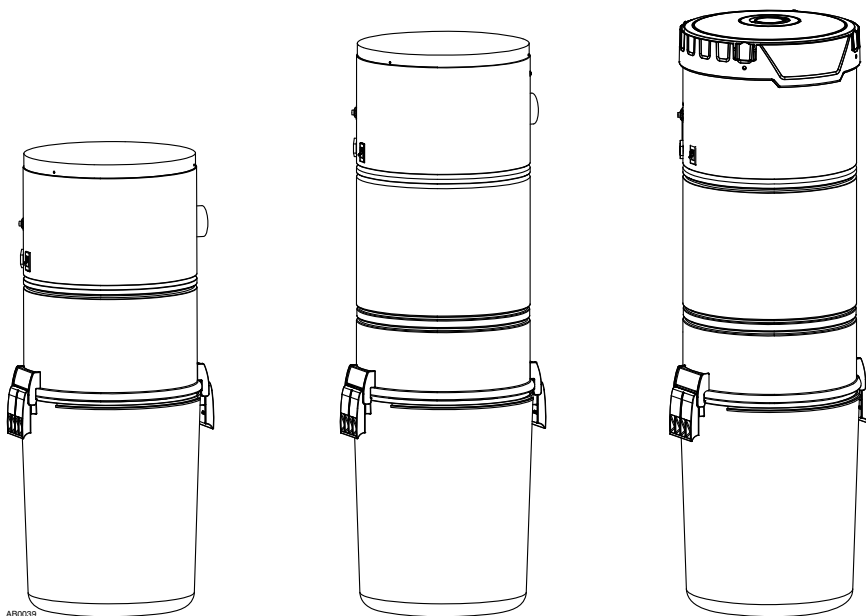


# NuTone<sup>®</sup>

USER GUIDE

## PUREPOWER SERIES CENTRAL VACUUM POWER UNITS PP500, PP600 & PP650



⚠ FOR RESIDENTIAL USE ONLY ⚠

**BROAN-NuTONE LLC; HARTFORD, WISCONSIN** [WWW.NUTONE.COM](http://WWW.NUTONE.COM)  
**1-888-336-3948**

**REGISTER YOUR PRODUCT ONLINE AT: [WWW.NUTONE.COM/REGISTER](http://WWW.NUTONE.COM/REGISTER)**

# IMPORTANT SAFETY INSTRUCTIONS

**SAVE THESE INSTRUCTIONS  
READ ALL INSTRUCTIONS BEFORE USING THIS APPLIANCE**

When using an electrical appliance, basic precautions should always be followed, including the following:

## WARNING

To reduce the risk of fire, electric shock or injury:

1. Do not use on wet surfaces or outdoors.
2. Do not vacuum liquids or fine powders (such as drywall dust).
3. Do not use to pick up flammable or combustible liquids such as gasoline or use in areas where they may be present.
4. Do not pick up anything that is burning or smoking, such as cigarettes, matches, or hot ashes.
5. Do not allow to be used as a toy. Close attention is necessary when used by or near children.
6. Use only as described in this manual. Use only manufacturer's recommended attachments.
7. Keep hair, loose clothing, fingers and all parts of body away from openings and moving parts.
8. Turn off all controls before unplugging.
9. Use extra care when cleaning on stairs.
10. Do not handle plug or appliance with wet hands.
11. Do not use with damaged cord or plug. If appliance is not working as it should, if it has been dropped, damaged, left outdoors, or dropped into water, return it to a Service Center.
12. Keep your work area well lighted.
13. Connect to a properly grounded outlet only. See grounding instructions shown on page 3.

14. When performing installation, servicing or cleaning the unit, it is recommended to wear safety glasses and gloves.

## CAUTION

1. Do not put any object into openings. Do not use with any opening blocked; keep free of dust, lint, hair and anything that may reduce air flow.
2. Ensure air flows freely and exhausts unobstructed from top or side outlet.
3. Do not use without filter (or filters, according to the model) in place.
4. Do not use to blow leaves or debris.
5. Do not place any object on top of the unit.
6. Do not install the unit horizontally.
7. Do not use the pail as a wash bucket.
8. Do not use the pail as a stool.
9. Avoid picking up sharp objects.
10. This appliance is for use on a standard 120 VAC, dedicated 20-amp minimum branch circuit.
11. Do not unplug the unit by pulling on cord. To unplug, grasp the plug, not the cord.
12. Store your vacuum cleaner indoors in a clean, dry area, away from extreme temperatures.
13. Any servicing other than that recommended in this manual should be performed by an authorized service facility.
14. We recommend that your unit be inspected by a specialized technician once a year.

## TABLE OF CONTENTS

<b>GROUNDING INSTRUCTIONS . . . .</b>	<b>3</b>
<b>OPERATION &amp; MAINTENANCE . . .4-7</b>	
WHEN TO CHANGE BAG OR EMPTY DEBRIS PAIL . . . . .	4
HOW TO EMPTY DEBRIS PAIL (PP600 AND PP650 POWER UNITS ONLY) . . . . .	4
DISPOSABLE BAG REPLACEMENT (MODEL 395) . . . . .	4
SEALED HEPA PERMANENT FILTER (PP600 AND PP650 POWER UNITS ONLY) .	5

REMOVAL & INSTALLATION OF PERMANENT FILTER (PP600 & PP650 POWER UNITS ONLY) . . .	5
MOTOR FOAM FILTER (ALL UNITS) . . . . .	6
REMOVAL & INSTALLATION OF SECONDARY HEPA FILTER (PP650 POWER UNIT ONLY) .	7
<b>SERVICE PARTS . . . . .</b>	<b>8-9</b>
<b>TROUBLESHOOTING GUIDE . .</b>	<b>10-11</b>
<b>WARRANTY . . . . .</b>	<b>12</b>

# GROUNDING INSTRUCTIONS

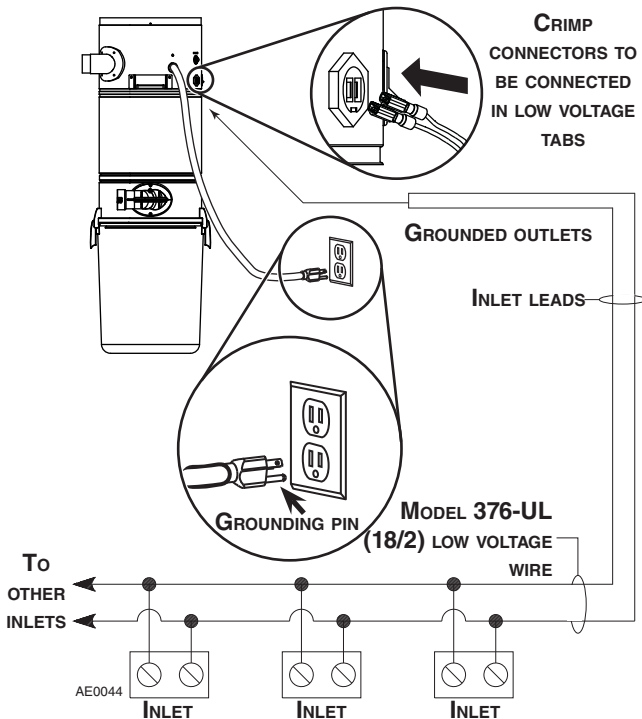
## ⚠ WARNING

**Improper connection of the equipment-grounding conductor can result in a risk of electric shock. Check with a qualified electrician or service person if you are in doubt as to whether the outlet is properly grounded. Do not modify the plug provided with the appliance – if it will not fit the outlet, have a proper outlet installed by a qualified electrician.**

Grounding Instructions – This appliance must be grounded. If it should malfunction or break down, grounding provides a path of least resistance for electric current, to reduce the risk of electric shock. This appliance is equipped with a cord having an equipment-grounding conductor and grounding plug. The plug must be plugged into an appropriate outlet that is properly installed and grounded in accordance with all local codes and ordinances.

## WIRING

This appliance is for use on a standard 120 VAC, minimum dedicated 20-amp branch circuit with a NEMA 5-15R receptacle. Make sure that the power unit is connected to an outlet that looks like the plug shown in illustration below. No adapter should be used with this power unit.



**NOTE:** Inlet leads to be connected to power unit low voltage tabs using crimp connectors (included in parts bag) and low voltage harness.

## OPERATION AND MAINTENANCE

---

Open the inlet cover and insert the end of the hose into the inlet to turn on the vacuum.

For non-switched hoses, inserting the hose automatically turns on the power unit; removing the hose shuts off the power unit. Some hoses have switches which can be used to activate power unit. Unless using the utility valve (PP650 unit only) the ON/OFF switch located on the power unit needs to be kept in the OFF position.

As you vacuum, dirt and dust are carried to the power unit where they remain in a bag or in the debris pail (according to the power unit model).

Use the cleaning tools as you would for any other vacuum cleaner. Avoid picking up very large debris or lengthy as these kinds of objects may become lodged in the hose or tubing.

## WHEN TO CHANGE BAG OR EMPTY DEBRIS PAIL

---

With a 6 U.S. gallons capacity, under normal conditions the bag/debris pail requires changing/emptying approximately twice a year. If the bag/debris pail is full, you will notice a reduced suction from the system. Unless this loss of suction is caused by a blockage in the system, changing the bag or emptying the debris pail will solve the problem.

**NOTE:** Even if not filled to capacity, if the bag seems tightly stretched when removing the debris pail, changing the bag will prevent it from tearing.

## HOW TO EMPTY DEBRIS PAIL (PP600 AND PP650 POWER UNITS ONLY)

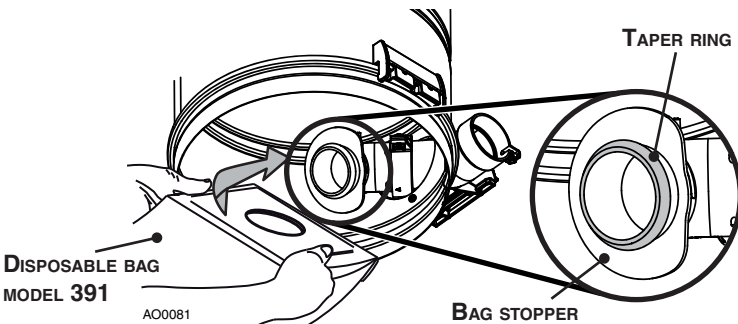
---

To empty the debris pail, release both latches on sides of the unit by pulling out and then pushing up. Holding the pail by the latches, lower it from unit. Carry pail to trash receptacle and dispose of debris. Put the pail back in its place.

## DISPOSABLE BAG REPLACEMENT (MODEL 391)

---

- 1 To remove the disposable bag, release both latches on sides of the unit by pulling out and then pushing up. Remove the pail from unit. Grasp the edges of the bag collar and pull down. The bag will slide off easily. Do not pull on the bag.
- 2 Unfold the new bag.
- 3 Grasp collar where indicated on the new bag and insert over bag adapter. Be careful not to tear the bag. Ensure the collar is positioned between the taper ring and the bag stopper on the bag adapter (see illustration below). Put the pail back in its place.



## OPERATION AND MAINTENANCE (CONT'D)

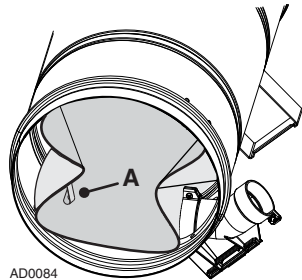
### SEALED HEPA PERMANENT FILTER (PP600 AND PP650 POWER UNITS ONLY)

This filter protects the motor and stops small particles from escaping to the outside of the power unit without the need to replace it. The filter cleans itself by moving up when the power unit starts, and dropping down when the unit is turned off. Under normal use, there is no need to maintain this filter. It is possible to remove it to inspect the foam motor filter, or to replace it if ever it has been damaged (by sharp debris, for example).

### REMOVAL AND INSTALLATION OF SEALED HEPA PERMANENT FILTER (PP600 AND PP650 POWER UNITS ONLY)

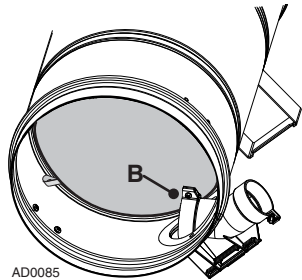
To remove:

- 1 Remove the pail from the unit. To remove the permanent filter, use pull tab (A) located on edge of filter to pull and loosen filter from inlet chamber wall. Squeeze from both sides of the filter to the center of the housing (see illustration at right). Then, carefully remove it from the unit.



To reinstall:

- 2 Squeeze the filter in order to move it past the inlet opening (B) (see illustration at right). Let the filter bear against the unit wall by releasing the pressure. Make sure to place the rigid ring in its groove to ensure proper sealing.



NOTE: Make sure the filter is installed so that the pull tab (A) is accessible for future filter removal.



### CAUTION

Be sure to reinstall filter properly. Appropriate location is critical to insure proper protection of the motor.

## OPERATION AND MAINTENANCE (CONT'D)

### FOAM MOTOR FILTER (ALL UNITS)

A foam motor safety filter, located at the top of the vacuum chamber provides protection against dirt being pulled into the motor if the disposable bag or sealed HEPA permanent filter should accidentally be torn. This filter should be checked and cleaned if necessary when replacement bag is installed, or when sealed HEPA permanent filter is removed (PP600 and PP650 units only). Simply brush filter clean. If the filter is excessively soiled, hand wash in a water and mild detergent solution, rinse and let it dry **completely** on a flat surface before reinstalling.

#### CAUTION

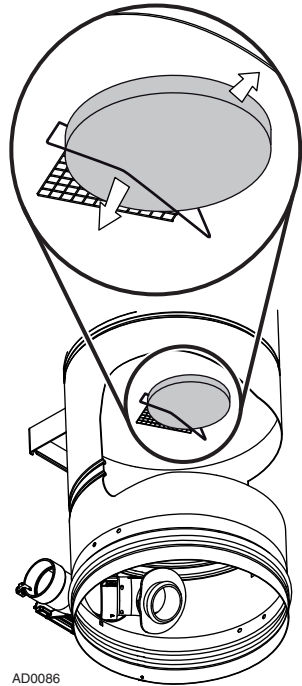
**Operating the power unit without the foam motor filter will void the warranty.**

#### REMOVING FOAM MOTOR FILTER

Remove the debris pail and disposable bag or permanent filter. Lift the center of the wire retaining the foam motor filter and slide the filter out of its location.

#### REINSTALLING FOAM MOTOR FILTER

To reinstall the foam motor filter, reverse the steps described above.



## OPERATION AND MAINTENANCE (CONT'D)

### REMOVAL AND INSTALLATION OF SECONDARY HEPA FILTER (PP650 POWER UNIT ONLY)

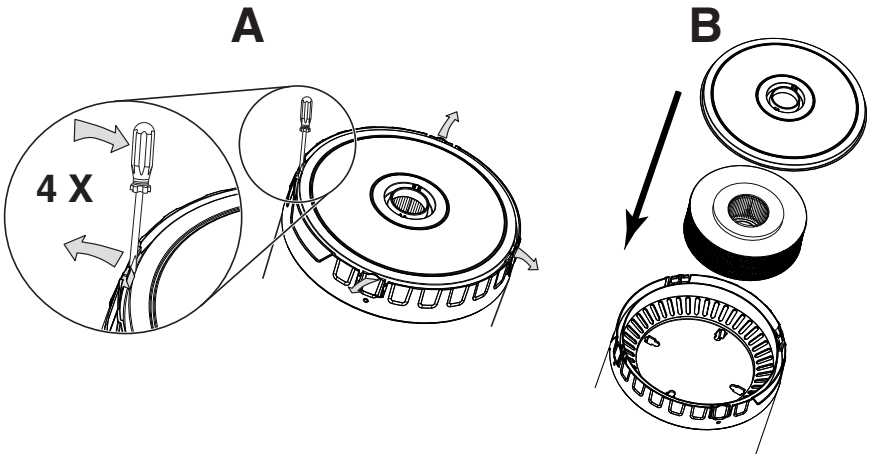
NOTE: This is a disposable HEPA filter; do not attempt to wash it since this will damage it. This HEPA filter should be replaced every 5 years. Proceed as follow:

- 1 If installed, detach the exhaust line from the top of the unit.
- 2 Disassemble upper part from lower part top cap assembly by pushing on the 4 retaining tabs (one by one) located on the lower part and pulling on upper part to disengage it.  
NOTE: A small flat blade screwdriver can also be used to pry on the 4 retaining tabs, as shown in illustration A at the bottom of the page.

#### WARNING

**Risk of warm surfaces and sharp edges. It is recommended to wear safety gloves while handling this HEPA filter.**

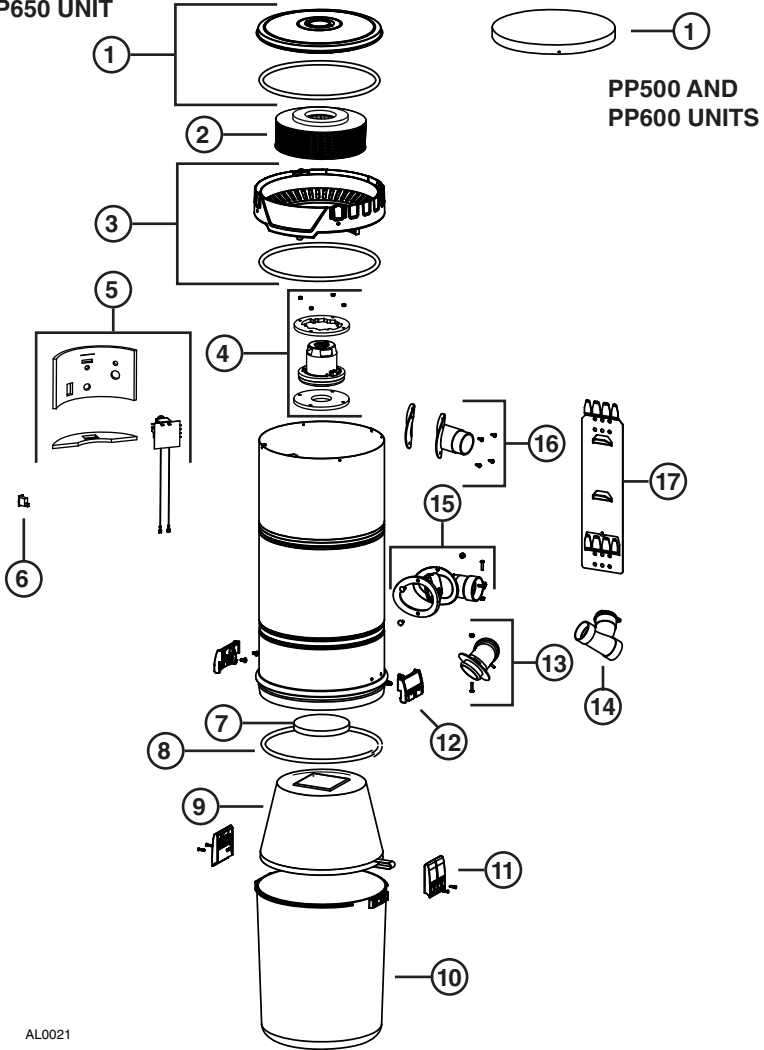
- 3 Discard the used filter and replace with a new one (part no. S10941416). Be sure to install it with the gasket on top as shown in illustration B (at the bottom of the page), then snap in place the upper part of the top cap. If need be, reconnect the exhaust line to the top cap.



AR0053

# SERVICE PARTS

## PP650 UNIT





# SERVICE PARTS (CONT'D)

## REPLACEMENT PARTS AND REPAIRS

In order to ensure your unit remains in good working condition, you must use NuTone genuine replacement parts only. NuTone genuine replacement parts are specially designed for each unit and are manufactured to comply with all the applicable certification standards and maintain a high standard of safety. Any third party replacement part used may cause serious damage and drastically reduce the performance level of your unit, which will result in premature failing. NuTone also recommends to contact a NuTone authorized service center for all replacement parts and repairs.

KEY NO.	PART NO.	DESCRIPTION	PP500	PP600	PP650
1	S10941409	PP650 TOP CAP ASSEMBLY (INCLUDING ITEM 5) (UPPER PART)			1
	S10941424	PP600 TOP CAP ASSEMBLY		1	
	S10941411	PP500 TOP CAP ASSEMBLY	1		
2	S10941416	PP650 EXHAUST HEPA FILTER			1
3	S10941413	PP650 TOP CAP ASSEMBLY (INCLUDING ITEM 5) (LOWER PART)			1
4	S10941419	MOTOR WITH UPPER AND LOWER FOAMS AND NUTS		1	1
	S10941418	MOTOR WITH UPPER AND LOWER FOAMS AND NUTS	1		
5	S10941420	ELECTRONIC BOARD WITH BOTTOM AND SIDE FOAMS	1	1	1
6	S99670649	ROCKER SWITCH	1	1	1
7	S10941399	MOTOR FOAM FILTER WITH FASTENER	1	1	1
8	S10941400	GASKET	1	1	3
9	S10941415	SEALED HEPA PERMANENT FILTER		1	1
10	S99670648	DEBRIS PAIL (INCLUDING KEY NO. 11)	1	1	1
11	S10941199	LATCH AND SCREWS	2	2	2
12	S10941404	LATCH KEEPER WITH SCREWS	2	2	2
13	S10941405	BAG ADAPTER WITH NUT AND SCREW	1	1	1
14	S10941408	UTILITY VALVE	1	1	1
15	S10941406	INTAKE ELBOW WITH GASKET, SCREWS, AND NUTS	1	1	1
16	S99670650	EXHAUST PORT WITH GASKET AND SCREWS	1	1	
17	S30390555	UNIT SUPPORT BRACKET	1	1	1
18	391	DISPOSABLE BAG (SET OF 3, NOT SHOWN)	1	1	1

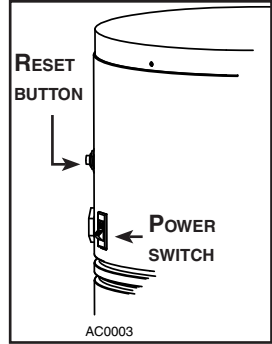
**NOTE: Order service parts by "Part No." — not by "Key No."**

# TROUBLESHOOTING GUIDE

PROBLEMS	POSSIBLE CAUSES	POSSIBLE REMEDY
<p>1. Loss or decrease of suction occurs.</p>	<ul style="list-style-type: none"> <li>• Debris pail or disposable bag is completely full.</li> <li>• Debris pail gasket damaged or missing.</li> <li>• Obstruction in the hose. A blockage in the hose can be determined by inserting the hose into any wall inlet and, while power unit is running, check each additional inlet for normal suction by holding the palm of your hand over the open inlet. If normal suction is felt at all other inlets, insert the hose into a second inlet. If the blockage still exists it is located in the hose. However, if the blockage does not occur when the hose is changed, the blockage is probably located in the tubing system leading to the original inlet.</li> <li>• Obstruction in the tubing system inside the walls.</li> <li>• Sealed HEPA permanent filter or disposable bag torn.</li> <li>• Wall inlet cover not properly sealed.</li> <li>• Exhaust tubing or vent clogged.</li> </ul>	<ul style="list-style-type: none"> <li>• Change the disposable bag or empty debris pail as described on page 5.</li> <li>• Replace the debris pail gasket.</li> <li>• Disconnect the hose from the wall inlet and insert a blunt instrument into the hose — slightly smaller in diameter — such as a flexible garden hose. Push the garden hose through the cleaning system hose until the obstruction has been cleared.</li> <li>• Insert hose end into any inlet to make power unit running, then place the palm of your hand over the opposite end of the hose. When you can feel the suction increase, hold your hand over the hose end for a few seconds and then quickly remove your hand. This procedure repeated several times should clear the obstruction. If the blockage is not cleared, contact your nearest Service Center.</li> <li>• Clean the interior of the unit and install a new permanent filter (or disposable bag).</li> <li>• Check all wall inlet covers to be sure they are closed and sealed tightly.</li> <li>• Inspect and remove any blockages.</li> </ul>

## TROUBLESHOOTING GUIDE (CONT'D)

PROBLEMS	POSSIBLE CAUSES	POSSIBLE REMEDY
<p>2. Power unit does not start or stops suddenly.</p>	<ul style="list-style-type: none"> <li>• Defective inlet. Check other wall inlets.</li> <li>• Power unit internal circuit breaker has been activated (the reset button is popped up).</li> <li>• Blown fuse or tripped circuit breaker on house electrical panel.</li> <li>• Defective hose.</li> <li>• Power unit overcurrent protector has been activated.</li> </ul>	<ul style="list-style-type: none"> <li>• Replace defective wall inlet.</li> <li>• Push on the circuit breaker reset button located on the left side of the power unit. If this button pops up again, contact your authorized Service Center.</li> <li>• Replace fuse or reset circuit breaker on house electrical panel.</li> <li>• Replace hose as required.</li> <li>• Unplug the power unit, wait at least 15 minutes and plug back the power unit.</li> </ul>
<p>3. Power unit runs continuously when the hose is removed.</p>	<ul style="list-style-type: none"> <li>• The unit power switch is in ON position.</li> <li>• An electrical short has occurred somewhere in the system.</li> </ul>	<ul style="list-style-type: none"> <li>• Set the unit power switch to OFF position.</li> <li>• Perform a complete check of all wall inlets and power unit low voltage control leads connections. Contact your authorized Service Center.</li> </ul>



# WARRANTY

## NUTONE

### CENTRAL VACUUM POWER UNIT LIMITED WARRANTY

NuTone warrants to the original consumer purchaser that its central vacuum power unit will be free from defects in materials and workmanship for five (5) years for PP500 units, eight (8) years for PP600 units and ten (10) years for PP650 units. The first year of this warranty covers the parts and labor in an authorized service center. After the first year, the parts only will be covered under this warranty. THERE ARE NO OTHER WARRANTIES, EXPRESSED OR IMPLIED, INCLUDING, BUT NOT LIMITED TO, IMPLIED WARRANTIES OF MERCHANTABILITY OR FITNESS FOR A PARTICULAR PURPOSE.

**During these time periods**, NuTone will, at its option, repair or replace the power unit or part without charge, which is found to be defective under normal use and service. THIS WARRANTY DOES NOT APPLY TO THE INSTALLATION OR THE PARTS USED IN THE INSTALLED TUBING SYSTEM. All central vacuum hoses, electric or air-driven brushes, filters, attachments and accessories are warranted for one (1) year from the original purchase date with the exception to consumables such as light bulbs and belts. We invite you to register your product on line at [www.nutone.com/register](http://www.nutone.com/register). NuTone reserves the right to limit this warranty if the product is not registered.

This warranty does not cover (a) normal maintenance and service or (b) any products or parts which have been subject to misuse, negligence, accident, improper maintenance or repair (other than by NuTone or an authorized representative), faulty installation or installation contrary to recommended installation instructions.

The duration of any implied warranty is limited to the period as specified for the express warranty. NUTONE'S OBLIGATION TO REPAIR OR REPLACE, AT NUTONE'S OPTION, SHALL BE THE PURCHASER'S SOLE AND EXCLUSIVE REMEDY UNDER THIS WARRANTY. NUTONE SHALL NOT BE LIABLE FOR INCIDENTAL, CONSEQUENTIAL OR SPECIAL DAMAGES ARISING OUT OF OR IN CONNECTION WITH PRODUCT USE OR PERFORMANCE. Please do not return your unit to place of purchase. Please visit [www.nutone.com](http://www.nutone.com) for your closest service center. You may also call 1-888-336-3948 for the name of an authorized representative in your area. This warranty supersedes all prior warranties. Warranty service is to be completed by an authorized Service Center designated by NuTone. Where applicable, in home service will be made available only in areas where a contracted service provider offers service (during the first year only). If in home service is not available, the product will be repaired or replaced, at NuTone's discretion, by the nearest authorized service provider. The unit removal and reinstallation works are under the customer responsibility, and NuTone cannot be charged for them.

To qualify for warranty service, you must notify NuTone at the address or telephone number stated below. We will then forward you the authorized service center in your area. You will be required to present evidence of the original purchase date.

---

Date of Installation

Builder or Installer

---

Model Number and Product Description

#### IF YOU NEED ASSISTANCE OR SERVICE

For the location of your nearest NuTone Independent Authorized Service Center:

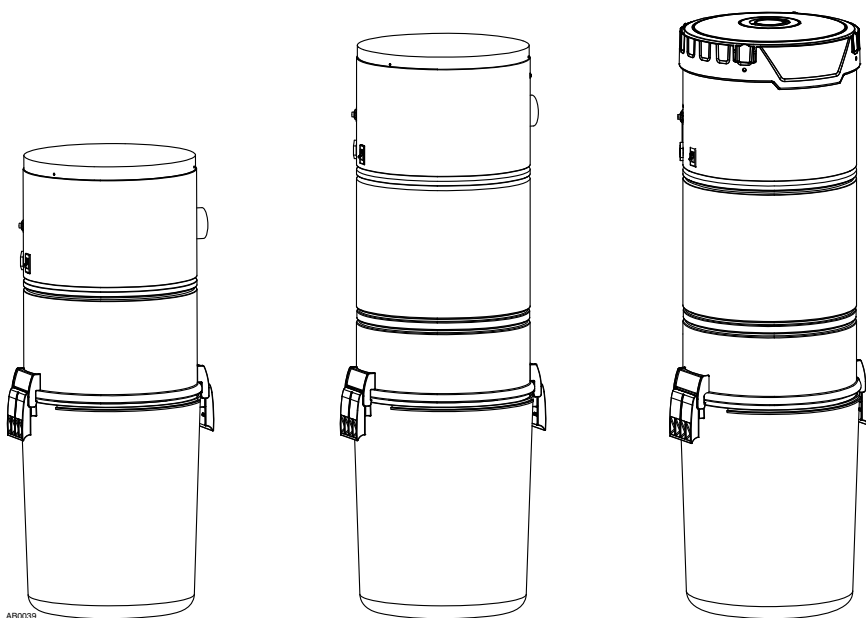
**Residents of the contiguous United States**, dial toll free: **1-888-336-3948**

Please be prepared to provide:

Product model number • Date and proof of purchase • The nature of the difficulty

**Residents of Alaska or Hawai** should write to: NuTone Inc. Attn: Department of National Field Service, 926 West State Street, Hartford, WI 53027

## SERIE PUREPOWER UNIDADES DE ASPIRACIÓN CENTRAL PP500, PP600 Y PP650



⚠ ÚNICAMENTE PARA USO RESIDENCIAL ⚠

**BROAN-NuTONE LLC; HARTFORD, WISCONSIN** [WWW.NUTONE.COM](http://WWW.NUTONE.COM)  
**1-888-336-3948**

REGISTRE SU PRODUCTO EN LÍNEA EN: [WWW.NUTONE.COM/REGISTER](http://WWW.NUTONE.COM/REGISTER)

# IMPORTANTES INSTRUCCIONES DE SEGURIDAD

**GUARDE ESTAS INSTRUCCIONES LEA TODAS LAS INSTRUCCIONES ANTES DE USAR ESTE APARATO.**

Quando use un aparato electrodoméstico, siempre deben tomarse precauciones básicas, incluidas las siguientes:

## ADVERTENCIA

Para reducir el riesgo de incendio, choque eléctrico o lesiones:

1. No se use en superficies húmedas ni en exteriores.
2. No aspire líquidos ni polvos finos (tales como polvo de tablarroca).
3. No se use para recoger líquidos inflamables o combustibles tales como gasolina ni se use en áreas donde puedan estar presentes.
4. No recoja nada que se esté quemando o emitiendo humo, por ejemplo, cigarrillos, cerillos o cenizas encendidas.
5. No permita que se use como juguete. Ponga mucha atención cuando se use junto o cerca de los niños.
6. Úsese únicamente como se indica en este manual. Use únicamente los aditamentos recomendados por el fabricante.
7. Mantenga el cabello, ropas sueltas, los dedos y todas las partes del cuerpo alejadas de las aberturas y piezas en movimiento.
8. Apague todos los controles antes de desenchufar el aparato.
9. Tenga mucho cuidado cuando limpie escaleras.
10. NO maneje el enchufe ni el aparato con las manos húmedas.
11. NO se use con el cable o enchufe dañados. Si el aparato no está funcionando como debe ser, si ha sufrido caídas, daños, se ha dejado en exteriores o se ha caído en agua, lleve el aparato a un Centro de servicio técnico.
12. Mantenga su área de trabajo bien iluminada.
13. Conecte únicamente a un tomacorriente conectado a tierra correctamente. Consulte las instrucciones de conexión a tierra mostradas en la página 3.

14. Cuando lleve a cabo la instalación, reparación o limpieza de la unidad, se recomienda usar gafas y guantes de seguridad.

## PRECAUCIÓN

1. No ponga ningún objeto en las aberturas. No se use con ninguna abertura bloqueada, manténgase libre de polvo, pelusa, cabellos y cualquier cosa que pueda reducir el flujo de aire.
2. Asegúrese de que el aire fluya libremente y escape sin obstrucciones por la salida superior o lateral.
3. NO se use sin tener el filtro (o filtros, de acuerdo con el modelo) instalado.
4. NO se use para soplar hojas o basura.
5. NO se coloque ningún objeto encima de la unidad.
6. NO instale la unidad horizontalmente.
7. NO use la bandeja como cubeta de lavar.
8. NO use la bandeja como banquillo.
9. Evite recoger objetos afilados.
10. Este aparato es para usarse en un circuito de derivación estándar de 120 VCA, 20A mínimo dedicado.
11. No desenchufe la unidad jalando por el cable. Para desenchufar, agarre el enchufe, no el cable.
12. Guarde su aspiradora en interiores en un área limpia y seca alejada de las temperaturas extremas.
13. Cualquier reparación de servicio distinta a las recomendadas en este manual debe realizarse en instalaciones de servicio autorizadas.
14. Recomendamos que su unidad sea revisada por un técnico especializado una vez al año.

## CONTENIDO

<b>INSTRUCCIONES DE CONEXIÓN A TIERRA</b> .....	<b>3</b>
<b>OPERACIÓN Y MANTENIMIENTO</b> .....	<b>4-7</b>
CUÁNDO CAMBIAR LA BOLSA O VACIAR LA BANDEJA DE DESECHOS .....	4
CÓMO VACIAR LA BANDEJA DE DESECHOS (SOLO UNIDADES DE POTENCIA PP600 Y PP650) .....	4
REEMPLAZO DE LA BOLSA DESECHABLE (MODELO 395) .....	4
FILTRO PERMANENTE HEPA SELLADO (SOLO UNIDADES DE POTENCIA PP600 Y PP650) .....	5

REMOCIÓN E INSTALACIÓN DEL FILTRO PERMANENTE (SOLO UNIDADES DE POTENCIA PP600 Y PP650) .....	5
FILTRO DE ESPUMA PARA EL MOTOR (TODAS LAS UNIDADES) .....	6
REMOCIÓN E INSTALACIÓN DEL FILTRO HEPA SECUNDARIO (SOLO LA UNIDAD DE POTENCIA PP650) .....	7

<b>PIEZAS DE SERVICIO</b> .....	<b>8-9</b>
<b>GUÍA DE LOCALIZACIÓN Y SOLUCIÓN DE PROBLEMAS</b> .....	<b>10-11</b>
<b>GARANTÍA</b> .....	<b>12</b>

# INSTRUCCIONES DE CONEXIÓN A TIERRA

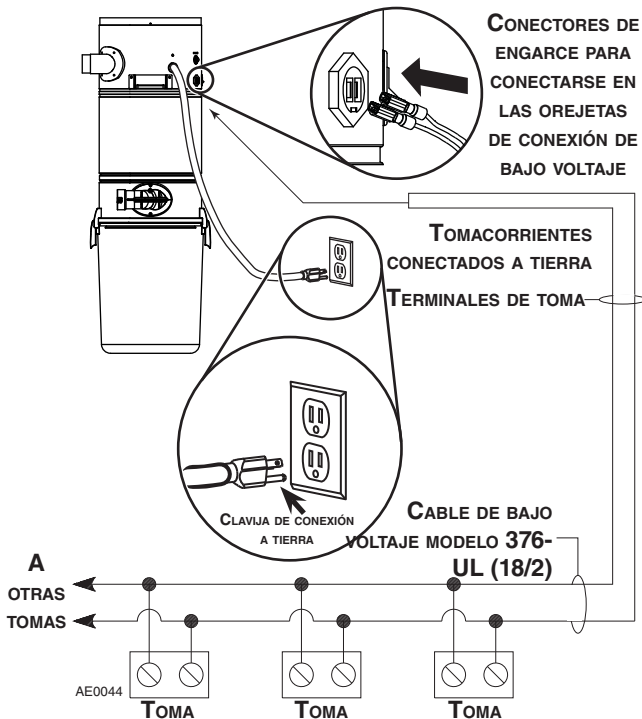
## ⚠ ADVERTENCIA

Si este equipo no se conecta a tierra correctamente puede resultar en riesgo de choque eléctrico. Verifique con un electricista calificado o técnico de servicio si no está seguro de que el tomacorriente está conectado correctamente a tierra. No modifique el enchufe proporcionado con el aparato, si no encaja en el tomacorriente, solicite a un electricista calificado que instale un tomacorriente adecuado.

Instrucciones de conexión a tierra – Este aparato debe ser conectado a tierra. En caso de que ocurra una falla o descompostura, la conexión a tierra proporciona una vía de menor resistencia para la corriente eléctrica, para reducir el riesgo de choque eléctrico. Este aparato está equipado con un cable que tiene conductor y enchufe de conexión a tierra para el equipo. El enchufe debe enchufarse en un tomacorriente adecuado que esté instalado y conectado a tierra correctamente de conformidad con los códigos y leyes locales.

## CABLEADO

Este aparato es para usarse en un circuito de derivación estándar dedicado mínimo de 120 VCA, 20 A con un receptáculo NEMA 5-15R. Asegúrese de que la unidad de potencia esté conectada a un tomacorriente que tenga enchufe con conexión a tierra con la apariencia del enchufe mostrado en la ilustración a continuación. No use adaptadores con esta unidad de potencia.



NOTA: Las terminales de toma deben conectarse en las orejetas de conexión de bajo voltaje de la unidad de potencia usando los conectores de engarce (incluidos en la bolsa de las piezas) y el arnés de bajo voltaje.

## OPERACIÓN Y MANTENIMIENTO

Abra la tapa de la toma e inserte el extremo de la manguera en la toma para encender la aspiradora. Para las mangueras sin interruptor, al insertar la manguera se enciende automáticamente la unidad de potencia; al quitar la manguera se apaga la unidad de potencia. Algunas mangueras tienen interruptor que pueden ser usados para activar la unidad de potencia. Excepto cuando use la válvula de servicio (solo para la unidad de potencia PP650) el interruptor de encendido/apagado ubicado en la unidad de potencia necesita mantenerse en posición de apagado.

Mientras aspira, el polvo y la suciedad son llevados a la unidad de potencia donde permanecen en una bolsa o en la bandeja de desechos (conforme al modelo de unidad de potencia).

Use las herramientas de limpieza como las usaría para cualquier otra aspiradora. Evite recoger basura grande o alargada ya que este tipo de objetos puede quedar atorado en la manguera o tubería.

## CUÁNDO CAMBIAR LA BOLSA O LA BANDEJA DE DESECHOS

Con una capacidad de 6 galones EE.UU., en condiciones normales la bolsa/bandeja de desechos debe cambiarse/vaciarse aproximadamente dos veces al año. Si la bolsa/bandeja de desechos se llena, notará una disminución en la capacidad de aspiración del sistema. Excepto cuando está disminución es causada por una obstrucción en el sistema, al cambiar la bolsa o vaciar la bandeja de desechos resolverá el problema.

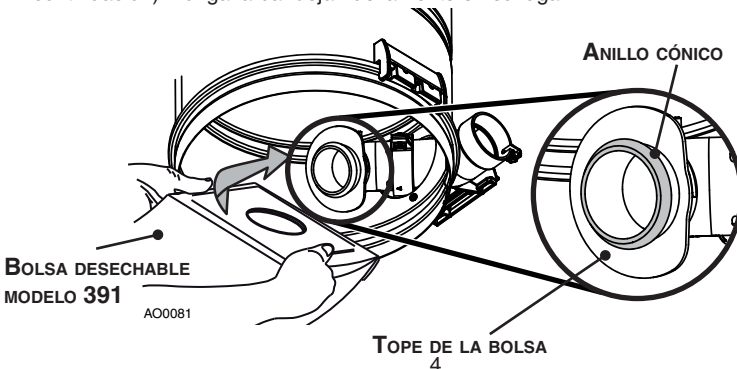
**NOTA:** Aun cuando no se haya llenado a su máxima capacidad, si la bolsa se parece estar demasiado estirada al momento de quitar la bandeja de desechos, al cambiar la bolsa evitará que se rompa.

## CÓMO VACIAR LA BANDEJA DE DESECHOS (SOLO PARA UNIDADES DE POTENCIA PP600 Y PP650)

Para vaciar la bandeja de desechos, desbloquee ambos seguros en los lados de la unidad de potencia jalando hacia afuera y luego empujando hacia arriba. Sujete la bandeja por los seguros, y bájela de la unidad de potencia. Lleve la bandeja al contenedor de basura y tire los desechos. Ponga la bandeja nuevamente en su lugar.

## REEMPLAZO DE LA BOLSA DESECHABLE (MODELO 391)

- 1 Para quitar la bolsa desechable, desbloquee ambos seguros en los lados de la unidad de potencia jalando hacia afuera y luego empujando hacia arriba. Quite la bandeja de la unidad. Agarre los bordes del collarín de la bolsa y jale hacia abajo. La bolsa debe deslizarse fácilmente. No jale la bolsa.
- 2 Desdoble la nueva bolsa.
- 3 Agarre el collarín donde se indica en la nueva bolsa e inserte en el adaptador para bolsa. Tenga cuidado de no romper la bolsa. Asegúrese de que el collarín esté colocado entre el anillo cónico y el tope de bolsa en el adaptador para bolsa (ver la ilustración a continuación). Ponga la bandeja nuevamente en su lugar.





## OPERACIÓN Y MANTENIMIENTO (CONT.)

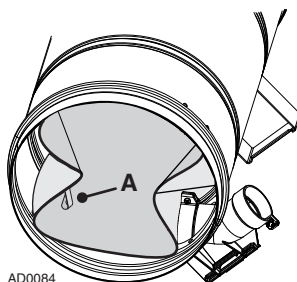
### FILTRO PERMANENTE SELLADO HEPA (SOLO PARA UNIDADES DE POTENCIA PP600 Y PP650)

Este filtro protege el motor y evita que las pequeñas partículas escapen hacia el exterior de la unidad de potencia sin necesidad de reemplazarlo. El filtro se limpia automáticamente moviéndose hacia arriba cuando la unidad de potencia enciende y bajando cuando la unidad de potencia se apaga. Bajo uso normal, no hay necesidad de dar mantenimiento a este filtro. Se puede desmontar para revisar el filtro de espuma del motor, o para reemplazarlo en caso de que se llegue a dañar (por desechos afilados, por ejemplo).

### REMOCIÓN E INSTALACIÓN DEL FILTRO PERMANENTE SELLADO HEPA (SOLO PARA UNIDADES DE POTENCIA PP600 Y PP650)

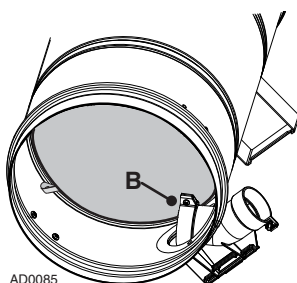
Para quitarlo:

- 1 Quite la bandeja de la unidad. Para quitar el filtro permanente, use la lengüeta (A) ubicada en el borde del filtro para jalar y libere el filtro de la cámara de toma de pared. Apriete en ambos lados del filtro hacia el centro de la carcasa (ver ilustración de la derecha). Luego, quítelo cuidadosamente de la unidad.



Para reinstalar:

- 2 Comprima el filtro para poder moverlo y que pase de la abertura de la toma (B) (ver ilustración de la derecha). Deje que el filtro se apoye contra la pared de la unidad liberando la presión. Asegúrese de poner el anillo rígido en su ranura asegurándose de que asiente correctamente.



NOTA: Asegúrese de que el filtro quede instalado de modo que la lengüeta (A) esté accesible para remoción futura del filtro.



## PRECAUCIÓN

Asegúrese de reinstalar el filtro correctamente. La ubicación correcta es crítica para asegurar la protección adecuada del motor.

## OPERACIÓN Y MANTENIMIENTO (CONT.)

### FILTRO DE ESPUMA DEL MOTOR (TODAS LAS UNIDADES)

Un filtro de espuma para la seguridad del motor, ubicado en la parte superior de la cámara de aspiración proporciona protección contra la suciedad aspirada hacia el motor en caso de que la bolsa desechable o el filtro permanente sellado HEPA se rompa accidentalmente. Este filtro debe ser revisado y limpiado si es necesario cuando se instala la bolsa de repuesto, o cuando se quita el filtro permanente sellado HEPA (solo unidades PP600 y PP650). Simplemente limpie el filtro cepillándolo. Si el filtro está excesivamente humedecido, lave a mano con una solución de agua y detergente suave, enjuague y deje secar **completamente** sobre una superficie plana antes de volver a instalarlo.

#### PRECAUCIÓN

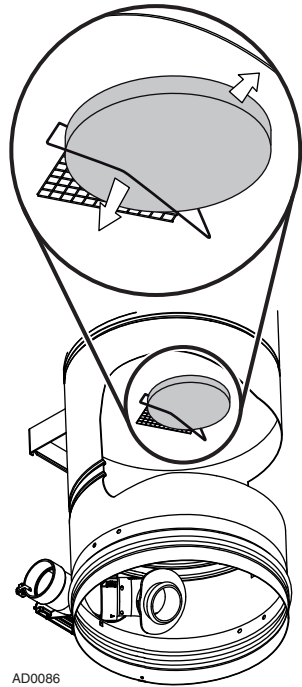
**Al operar la unidad de potencia sin el filtro de espuma del motor anulará la garantía.**

#### REMOCIÓN DEL FILTRO DE ESPUMA DEL MOTOR

Quite la bandeja de desechos y la bolsa desechable o el filtro permanente. Levante el centro del cable que retiene el filtro de espuma del motor y deslice el filtro hacia afuera de su lugar.

#### REINSTALACIÓN DEL FILTRO DE ESPUMA DEL MOTOR

Para reinstalar el filtro de espuma del motor, siga en orden inverso los pasos antes descritos.



## OPERACIÓN Y MANTENIMIENTO (CONT.)

### REMOCIÓN E INSTALACIÓN DEL FILTRO SECUNDARIO HEPA (SOLO PARA LA UNIDAD DE POTENCIA PP650)

NOTA: Este es un filtro HEPA desechable; no intente lavarlo porque se dañará si lo hace. Este filtro HEPA debe ser reemplazado cada 5 años. Proceda como se indica a continuación:

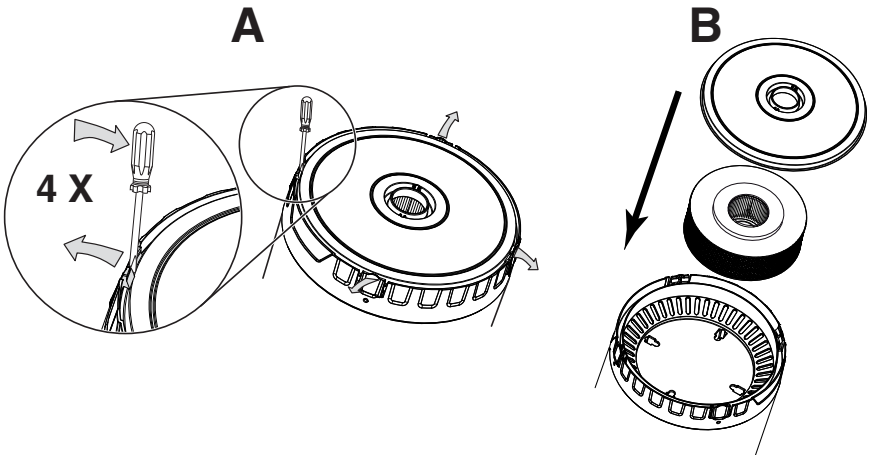
- 1 Si está instalado, despegue la línea de escape de la parte superior de la unidad.
- 2 Desensamble la parte superior de la tapa de la parte inferior empujando las 4 pestañas de retención (una por una) ubicadas en la parte inferior y jalando en la parte superior para desengancharla.

NOTA: Puede utilizar también un pequeño destornillador de punta plana para empujar sobre las 4 pestañas de retención, como se muestra en la ilustración **A** en la parte baja de la página.

#### ADVERTENCIA

**Riesgo de superficies calientes y bordes afilados. Se recomienda utilizar guantes de seguridad para manipular este filtro HEPA.**

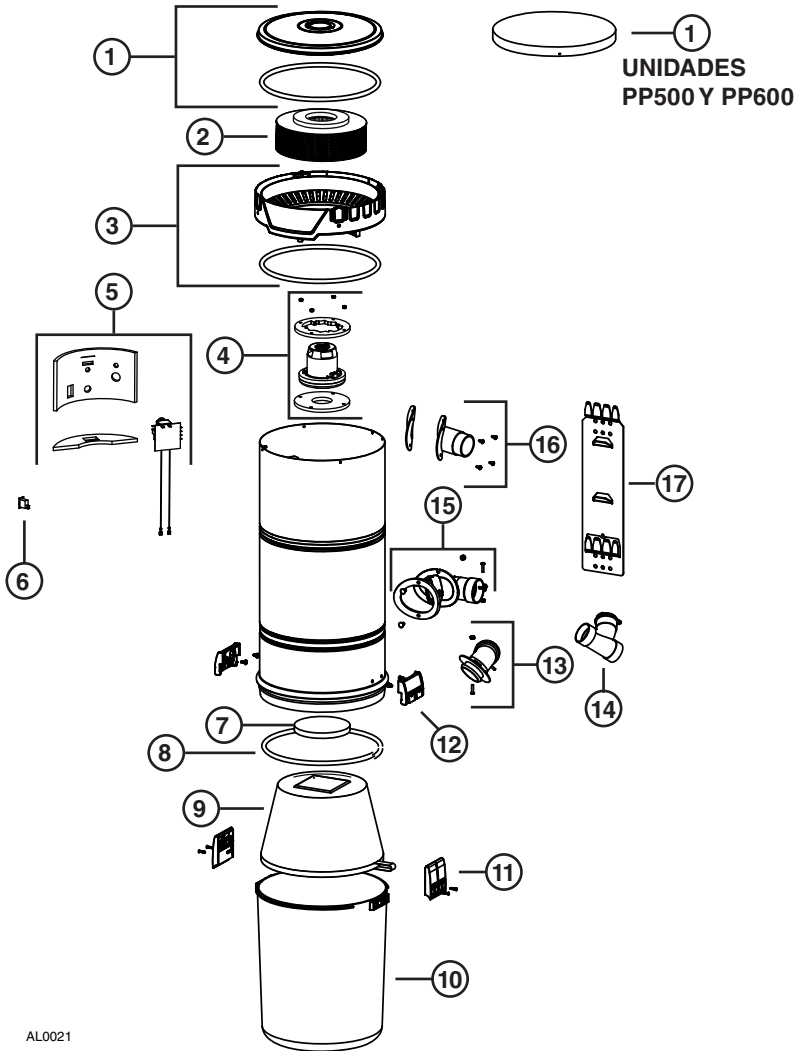
- 3 Deseche el filtro usado y reemplace con uno nuevo (número de pieza S10941416). Asegúrese de instalarlo con el empaque en la parte superior como se muestra en la ilustración **B** (en la parte baja de la página), después encaje en su lugar la parte superior de la tapa superior. Si es necesario, reconecte la línea de escape a la tapa superior.



ARI0053

# PIEZAS DE SERVICIO

## UNIDAD PP650



AL0021

## PIEZAS DE REPUESTO Y REPARACIONES

Para poder asegurar que su unidad permanezca en buenas condiciones de funcionamiento, debe usar únicamente piezas de repuesto genuinas de NuTone. Las piezas de repuesto genuinas de NuTone están diseñadas especialmente para cada unidad y son fabricadas para cumplir con todos los estándares de certificación aplicables y para mantener un alto estándar de seguridad. Cualquier pieza de repuesto fabricada por terceros puede causar graves daños y reducir drásticamente el nivel de rendimiento de su unidad, lo cual resultará en falla prematura. NuTone también recomienda contactar a un centro de servicio autorizado de NuTone para todas las reparaciones y piezas de repuesto necesarias.

## PIEZAS DE SERVICIO (CONT.)

NÚMERO DE ELEMENTO	NÚMERO DE PIEZA	DESCRIPCIÓN	PP500	PP600	PP650
1	S10941409	ENSAMBLE DE TAPA SUPERIOR PP650 (INCLUIDO EL ELEMENTO 8) (PARTE SUPERIOR)			1
	S10941424	ENSAMBLE DE TAPA SUPERIOR PP600		1	
	S10941411	ENSAMBLE DE TAPA SUPERIOR PP500	1		
2	S10941416	FILTRO DE ESCAPE HEPA PP650			1
3	S10941413	ENSAMBLE DE TAPA SUPERIOR PP650 (INCLUIDO EL ELEMENTO 8) (PARTE INFERIOR)			1
4	S10941419	MOTOR CON ESPUMAS SUPERIOR Y INFERIOR Y TUERCAS		1	1
	S10941418	MOTOR CON ESPUMAS SUPERIOR Y INFERIOR Y TUERCAS	1		
5	S10941420	TARJETA ELECTRÓNICA CON ESPUMAS INFERIOR Y LATERAL	1	1	1
6	S99670649	INTERRUPTOR BASCULANTE	1	1	1
7	S10941399	FILTRO DE ESPUMA DEL MOTOR CON SUJETADOR	1	1	1
8	S10941400	EMPAQUE	1	1	3
9	S10941415	FILTRO PERMANENTE SELLADO HEPA		1	1
10	S99670648	BANDEJA DE DESECHOS (INCLUIDO EL ELEMENTO NÚMERO 11)	1	1	1
11	S10941199	SEGURO Y TORNILLOS	2	2	2
12	S10941404	RETÉN DEL SEGURO CON TORNILLOS	2	2	2
13	S10941405	ADAPTADOR PARA BOLSA CON TUERCA Y TORNILLO	1	1	1
14	S10941408	VÁLVULA DE SERVICIO	1	1	1
15	S10941406	CODO DE ENTRADA CON EMPAQUE, TORNILLOS Y TUERCAS	1	1	1
16	S99670650	TOMA DE SALIDA CON EMPAQUE Y TORNILLOS	1	1	
17	S30390555	SOPORTE DE LA UNIDAD DE POTENCIA	1	1	1
18	391	BOLSA DESECHABLE (JUEGO DE 3, NO SE MUESTRA)	1	1	1

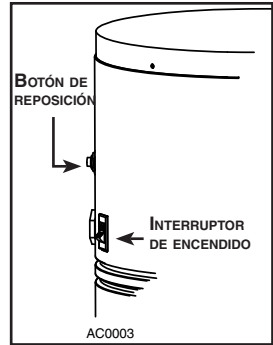
**NOTA:** Pida las piezas de servicio por “Número de pieza” — no por “Número de elemento”

# GUÍA DE LOCALIZACIÓN Y SOLUCIÓN DE PROBLEMAS

PROBLEMAS	CAUSAS PROBABLES	REMEDIOS PROBABLES
<p>1. Pérdida o disminución de aspiración.</p>	<ul style="list-style-type: none"> <li>• La bandeja de desechos o la bolsa desechable está completamente llena.</li> <li>• El empaque de la bandeja de desechos está dañada o falta.</li> <li>• Obstrucción en la manguera. Una obstrucción en la manguera puede ser determinada al insertar la manguera en cualquier toma de pared y, con la unidad de potencia funcionando, revisar cada toma adicional para verificar una aspiración normal sosteniendo la palma de la mano sobre abertura de la toma. Si se siente una aspiración normal en todas las demás tomas, inserte la manguera en una segunda toma. Si la obstrucción aún se siente, entonces está ubicada en la manguera. No obstante, si la obstrucción no se siente cuando la manguera se cambia a otra toma, entonces la obstrucción probablemente está ubicada en el sistema de tubería que lleva a la toma original.</li> <li>• Obstrucción en el sistema de tubería en el interior de las paredes.</li> <li>• Filtro permanente sellado HEPA o bolsa desechable rota.</li> <li>• La tapa de la toma de pared no está sellada correctamente.</li> <li>• Tubería de escape o de ventilación taponada.</li> </ul>	<ul style="list-style-type: none"> <li>• Cambie la bolsa desechable o vacíe la bandeja de desechos como se indica en la página 5.</li> <li>• Reemplace el empaque de la bandeja de desechos.</li> <li>• Desconecte la manguera de la toma de pared e inserte un instrumento desafilado en la manguera — de diámetro ligeramente más pequeño — como por ejemplo una manguera flexible para jardín. Empuje la manguera de jardín a través de la manguera del sistema de limpieza hasta que se despeje la obstrucción.</li> <li>• Inserte el extremo de la manguera en cualquier toma para activar la unidad de potencia, luego coloque la palma de su mano sobre el extremo opuesto de la manguera. Cuando pueda sentir que la aspiración aumenta, sostenga su mano sobre el extremo de la manguera durante unos cuantos segundos y luego quite la mano rápidamente. Este procedimiento repetido varias veces debe despejar la obstrucción. En caso de que la obstrucción no se despeje, contacte a su Centro de servicio más cercano.</li> <li>• Limpie el interior de la unidad e instale un nuevo filtro permanente (o bolsa desechable).</li> <li>• Revise todas las tapas de toma de pared para asegurarse de que estén bien cerradas y selladas.</li> <li>• Revise y elimine cualquier obstrucción.</li> </ul>

## GUÍA DE LOCALIZACIÓN Y SOLUCIÓN DE PROBLEMAS (CONT.)

PROBLEMAS	CAUSAS PROBABLES	REMEDIOS PROBABLES
<p>2. La unidad de potencia no arranca o se detiene repentinamente.</p>	<ul style="list-style-type: none"> <li>• Toma defectuosa. Revise las demás tomas de pared.</li> <li>• El interruptor de circuito interno de la unidad de potencia se ha activado (el botón de reposición se ha disparado).</li>   <li>• Fusible fundido o interruptor de circuito disparado en el panel eléctrico local.</li> <li>• Manguera defectuosa.</li> <li>• El protector contra sobrecorriente de la unidad de potencia se ha activado.</li> </ul>	<ul style="list-style-type: none"> <li>• Reemplace la toma de pared defectuosa.</li>   <li>• Presione el botón de reposición del interruptor de circuito ubicado en el lado izquierdo de la unidad de potencia. Si este botón se dispara otra vez, contacte a su Centro de servicio autorizado.</li> <li>• Reemplace el fusible o reposicione el interruptor de circuito en el panel eléctrico local.</li> <li>• Reemplace la manguera como sea requerido.</li> <li>• Desenchufe la unidad de potencia, espere al menos 15 minutos y enchufe de nuevo la unidad de potencia.</li> </ul>
<p>3. La unidad de potencia funciona continuamente cuando se desconecta la manguera.</p>	<ul style="list-style-type: none"> <li>• El interruptor de la unidad de potencia está en posición de encendido.</li> <li>• Ha ocurrido un corto eléctrico en algún lugar del sistema.</li> </ul>	<ul style="list-style-type: none"> <li>• Ponga el interruptor de la unidad de potencia en posición de apagado.</li> <li>• Lleve a cabo una revisión completa de todas las tomas de pared y de las conexiones de terminales de control de bajo voltaje. Contacte a su Centro de servicio autorizado.</li> </ul>



# GARANTÍA

## NUTONE

### **GARANTÍA LIMITADA DE LA UNIDAD DE POTENCIA DE ASPIRACIÓN CENTRAL**

NuTone garantiza al comprador original que su unidad de potencia de aspiración central no tendrá defectos en materiales y fabricación durante (5) años para las unidades PP500, ocho (8) años para las unidades PP600 y diez (10) años para las unidades PP650. El primer año de esta garantía cubre las piezas y mano de obra en un centro de servicio autorizado. Después del primer año, las piezas serán cubiertas únicamente conforme a esta garantía. NO EXISTE NINGUNA OTRA GARANTÍA, EXPRESA O IMPLÍCITA, INCLUIDO PERO NO LIMITADO A, GARANTÍAS IMPLÍCITAS DE APTITUD O IDONEIDAD PARA UN PROPÓSITO PARTICULAR.

**Durante estos periodos de tiempo**, NuTone, a su propia opción, reparará o reemplazará la unidad de potencia o parte de ella sin cargos, la cual se encuentre defectuosa bajo condiciones normales de uso y servicio. **ESTA GARANTÍA NO APLICA A LA INSTALACIÓN DE LAS PIEZAS USADAS EN EL SISTEMA DE TUBERÍA INSTALADO.** Todas las mangueras de aspiración central, cepillos eléctricos o activados por aire, filtros, aditamentos y accesorios están garantizados por un (1) año a partir de la fecha de compra original con la excepción de los insumos tales como bombillas de iluminación y bandas de accionamiento. Lo invitamos a registrar su producto en línea en [www.nutone.com/register](http://www.nutone.com/register). NuTone se reserva el derecho de limitar esta garantía en caso de que el producto no sea registrado.

Esta garantía no cubre (a) mantenimiento y reparaciones normales o (b) cualquier producto o pieza la cual haya sido sometida a mal uso, negligencia, accidentes, mantenimiento o reparaciones incorrectas (excepto las autorizadas por NuTone o por un representante autorizado), instalación incorrecta o contraria a las instrucciones de instalación recomendadas.

La duración de cualquier garantía implícita se limita al periodo especificado para la garantía expresa.

LA OBLIGACIÓN DE NUTONE DE HACER REPARACIONES O REEMPLAZOS, A OPCIÓN DE NUTONE, SERÁ UNA REPARACIÓN SOLA Y EXCLUSIVAMENTE PARA EL COMPRADOR CONFORME A ESTA GARANTÍA. NUTONE NO SE HARÁ RESPONSABLE POR DAÑOS Y PERJUICIOS QUE SURJAN DE O EN RELACIÓN CON EL USO O RENDIMIENTO DEL PRODUCTO. No devuelva su unidad al lugar de compra. Visite [www.nutone.com](http://www.nutone.com) para su centro de servicio más cercano. También puede llamar al 1-888-336-3948 para el nombre de un representante autorizado en su localidad. Esta garantía reemplaza a todas las garantías anteriores.

El servicio de garantía debe ser llevado a cabo en un Centro de servicio autorizado designado por NuTone. Donde sea aplicable, el servicio a domicilio estará disponible únicamente en áreas donde un proveedor de servicios contratado ofrezca sus servicios (únicamente durante el primer año). Si el servicio a domicilio no está disponible, el producto será reparado o reemplazado, a discreción de NuTone, por el proveedor de servicio autorizado más cercano. Los trabajos de remoción y reinstalación de la unidad de potencia son responsabilidad del cliente y NuTone no cubrirá esos gastos.

Para calificar para el servicio de garantía, debe notificar a NuTone en su dirección o llamando al número telefónico proporcionado a continuación. Entonces lo remitiremos a un centro de servicio autorizado en su localidad. Usted deberá presentar un comprobante de la fecha de compra original.

---

Fecha de instalación

Constructor o instalador

---

Número de modelo y descripción del producto

### **SI NECESITA ASISTENCIA O SERVICIO**

Para la ubicación de su Centro de servicio autorizado independiente NuTone más cercano:

**Residentes contiguos a los Estados Unidos, llamar a la línea gratuita: 1-888-336-3948**

Prepárese para proporcionar:

Número del modelo del producto • Fecha y comprobante de compra • La naturaleza del problema.

**Los residentes de Alaska o Hawái deben escribir a:** NuTone Inc. Atención: Department of National Field Service, 926 West State Street, Hartford, WI 53027

Las especificaciones del producto están sujetas a cambios sin previo aviso. Impreso en Canadá.