

INSTALLATION and OPERATING MANUAL

120 VOLT

Model: H-C surface mounted with power cord attached

Model: F-C in wall mounted with power cord attached

Model: F-R in-wall mounted, hard wired connection (Romex)

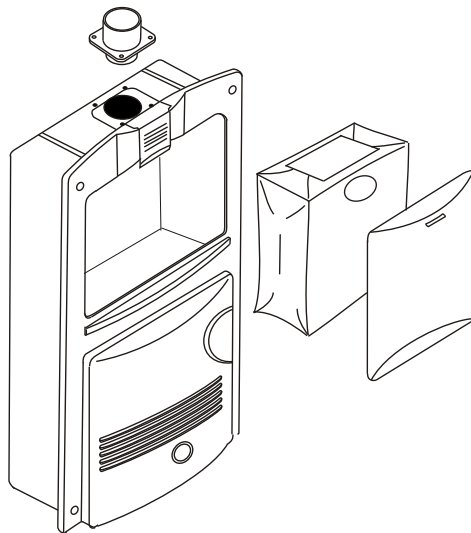
Model: RMH surface mounted with power cord attached

Model: RMF-C in wall mounted with power cord attached

Model: RMF-R in wall mounted, hard wired connection (Romex)



Models F & H



Models RM



Model RMD, special order

**IF YOU SHOULD HAVE ANY QUESTIONS OR EXPERIENCES A PROBLEM WITH YOUR INTERVAC
PRODUCT, DO NOT RETURN THIS PRODUCT TO THE STORE OR DEALER
PLEASE CALL US DIRECT 1-888-499-1925, we are here to help.**

WARNING: Owner read carefully.

**This manual must be read and understood before installation, adjustment, service or maintenance is performed.
This unit should be installed by a qualified technician. Modification of this product can be extremely hazardous
and could result in personal injury or property damage. Instructions must stay with unit.**

InterVac Design Corp., Palm City, FL 34990

2939 SW 42nd Avenue

Phone 772-463-1400 • USA & Canada toll free 888-499-1925

www.intervacdesign.com • e-mail: sales@intervacdesign.com



IMPORTANT SAFETY INSTRUCTIONS

interVac™

Polarization Instructions for models with 120volt cord only.

These appliances have a polarized plug (one blade is wider than the other). This plug will fit in a polarized outlet only one way. If the plug does not fit fully in the outlet, reverse the plug. If it still does not fit, contact a qualified electrician to install the proper outlet. Do not change the plug in any way.

When using an electrical vacuum cleaner, basic precautions should always be followed including the following: Read all instructions carefully before using this vacuum cleaner.

WARNING: TO REDUCE THE RISK OF FIRE, ELECTRIC SHOCK, OR INJURY:

1. Unplug from electrical outlet when not in use and before servicing.
2. Do not use on wet surfaces.
3. Never operate this vacuum cleaner without a dust bag and filters in place.
4. Close attention is necessary when used by or near children. Do not allow unit to be used as a toy.
5. Use only for intended use as described in this manual. Use only the manufacturer's recommended attachments and dust bag.
6. Do not use with damaged cord or plug. If appliance is not working as it should, has been dropped, damaged, left outdoors, or fell into water, return the vacuum cleaner to InterVac or an authorized service dealer for examination and repair.
7. Do not put any object into openings. Do not use with any openings blocked; keep free of dust, lint, hair and any other material that may reduce air flow. If the secondary filter becomes dirty, rinse in warm water or replace with a new filter. Filter should be completely dry before using.
8. Never drop or insert any object into any opening.
9. Turn off all controls before unplugging.
10. Do not pull or carry by cord, do not use cord as a handle, do not close a door on the cord, or pull cord around sharp edges or corners. Do not run over cord. Keep cord away from heated surfaces.
11. Do not unplug by pulling on cord. To unplug, grasp the plug, not the cord.
12. Keep hair, loose clothing, fingers, and all parts of body away from any openings and all moving parts.
13. Do not pick up anything that is burning or smoking, such as cigarettes, matches, or hot ashes.
14. Use extra caution when cleaning on stairs.
15. Do not handle plug or appliance with wet hands.
16. Do not pick up flammable or combustible liquids such as gasoline, or use in areas where they may be present.
17. Do not place objects against the vacuum cleaner. Keep area clear.
18. Do not step on the hose or pull the hose forcibly.
19. Do not pick up large objects such as waste paper or cloth, which may clog the hose.
20. Do not install this vacuum cleaner in an area exposed to high temperatures.
21. Install this vacuum cleaner in a dry place.
22. Do not attempt to service the vacuum cleaner. Unit is sealed and cannot be opened without damage to the unit. For service, call your local authorized service dealer, or InterVac Design's Customer Care Center.

SAVE THESE INSTRUCTIONS

LIMITED WARRANTY

InterVac Design Corp. will repair the power unit with new or rebuilt parts, free of charge for six (6) years in North America from the date of original purchase in the event of a defect in materials or workmanship. Warranty might vary from country to country. No cash refunds. Excluded are the following items that require normal replacement:

Disposable dust bags, filters, vacuum cleaner tools and vacuum hoses.

This warranty is extended only to the original purchaser. A purchase receipt or other proof of date of original purchase will be required before warranty performance is rendered.

You must return your warranty card or register on our website in order to be covered under these provisions.

This warranty only covers failures due to defects in materials or workmanship which occurs during normal use and does not cover damage which occurs in shipment or failures which are caused by products not supplied by InterVac Design, or failures which result from accident, misuse, abuse, neglect, mishandling, misapplication, alteration, modification, or commercial use such as hotel, office, restaurant or rental use of the product, or service by anyone other than an authorized service center, or damage that is attributable to acts of God.

There are no expressed warranties except as listed above.

LIMITS AND EXCLUSIONS:

INTERVAC DESIGN SHALL NOT BE LIABLE FOR INCIDENTAL OR CONSEQUENTIAL DAMAGES RESULTING FROM THE USE OF THIS PRODUCT, OR ARISING OUT OF ANY BREACH OF THIS WARRANTY. ALL EXPRESSED AND IMPLIED WARRANTIES, INCLUDING THE WARRANTIES OF MERCHANTABILITY AND FITNESS FOR A PARTICULAR PURPOSE, ARE LIMITED TO THE APPLICABLE WARRANTY PERIOD SET FORTH ABOVE.

Some states do not allow the exclusion or limitation of incidental or consequential damages or limitations on how long an implied warranty lasts, so the above exclusions or limitations may not apply to you. This warranty gives you specific legal rights that vary from state to state. If a problem with this product develops during or after the warranty period, you may contact your dealer or our service center. If the problem is not handled to your satisfaction, then write to the Customer Service Center at the company address.

Specification: 120 Volt, 10 Amp high efficiency Motor, 50/60Hz, 530 air watts, Weight 8 lb

Parts List:

Depending on model

Paper templates: #L-41 or #L-40

3 wire nuts, when installed flush in a stud wall

1 plywood strip for dry-wall installation

4 screws and caps

2 high filtration bags **#Y08 or #Y09** (RMD only)

CAUTION: To avoid possible electrical shock, be sure that electricity is turned off at the main switch or circuit breaker. All wiring must be in accordance with the US National Electric Code or Canadian Electric Codes.

WARNING: Electrical connections should be made by a qualified electrician.

GROUNDING INSTRUCTIONS for hard wiring only.

Models F-R + RMF-R + RMD-R,

These appliances must be connected to a grounded metal, permanent wiring system; or an equipment-grounding conductor must be run with the circuit conductors and connected to the equipment-grounding terminal or lead on the appliance.

WARNING: Disconnect all electrical power to the wall area before installing!
Do not drill near studs where electrical cable may be secured to studs adjacent to receptacles.

Models: H-C, F-C, RMH and RMF-C

Are double insulated and do not require a ground conductor.



CAUTION: DO NOT PICK UP LIQUIDS, LIT CIGARETTES, HOT ASHES, RAZOR BLADES, NEEDLES, PINS OR OTHER SHARP OBJECTS!

INSTALLATIONS

interVac MODEL: H-C Surface Mounted with power cord attached,

External to Wood or Dry-wall Surfaces: (see Fig.: A)

- Step 1.** To cover with the vacuum hose as much area as possible, choose a wall or surface that is centrally located and has an electrical outlet close by.
- Step 2.** Cut paper template from the instruction manual, last page.
Align the 2 vertical mounting holes on the template with the center of a stud behind the dry-wall and tape the template to the wall or a surface at a comfortable operating height or a minimum of 2 to 3 inches above the floor. **Mark the 4 centers accurately.**
Carefully remove template from the wall and place it into the operating manual for future references .
- Step 3.** Attach 2 #8 screws into the dry-wall stud and use the other 2 screws with the wall anchors, (drill 5/16 hole). Keep the screw heads 1/8" from the wall.
- Step 4.** Slide the key holes on the back of the vacuum cleaner over the 4 screw heads and secure by pushing down. If vacuum cleaner is loose re-tighten screws a little more.
- TIP:** If vacuum cleaner is mounted on its back or side , it may slide off the screw heads when you pull on the vacuum hose.
To prevent this, fasten a small wood block against the top of the unit.
- Step 5.** Check to be sure dust bag and motor filter (under dust bag) are in place.
The corners of the motor filter have to be tucked under the ribs so that the filter lays flat!

interVac[®] MODEL F-C, In-Wall Installation with power cord attached

Paper Template #L-41

WARNING: Disconnect all electrical power to the wall area before installing!

Do not drill near studs where electrical cable may be secured to studs adjacent to receptacles.

Note: The four mounting holes in the outer corners of the flange of the Vacuum Cleaner must be drilled from the back of the unit with a 3/16" drill bit when the unit is to be recessed into a wall.

To reach with the vacuum hose as far as possible, choose a wall or surface that is centrally located and has an electrical outlet from a 15 amp circuit breaker.

Make sure the wall is hollow and there are no pipes or other obstructions in the section you choose.

Installation into 2x4 Drywall or Plywood: (see Fig.: B)

To cover with the vacuum hose as much area as possible, choose a wall or surface that is centrally located and has an electrical outlet near by.

- Step 1** The vacuum cleaner should be mounted to the side of a 2X4 wall stud.
Make sure no electrical switches or outlets are on the installation side when mounted to a 2X4.
- Step 2.** Tape the template L-41 against the wall at a comfortable operating height, and a minimum of 2 to 3 inches off the floor.
Use the vertical cut-out line from the template and align with the edge of the stud.
- Step 3.** Refer to the paper template #L-41 for the cut-out.
- Step 4.** Since the F-C has a power cord attached, you have to cut the 3/8 wide slot on the bottom of the L-41 drawing.
- Step 5.** Slide the unit, bottom first, with the cord pulled to the outside, into the opening and secure with the four screws and screw caps. Do not over-tighten.
- Step 6.** Check to be sure that the cord is pulled out as far as possible, do not pull hard.
- Step 7.** Check that dust bag and motor filter (under dust bag) are in place.
The corners of the filter have to be tucked under the ribs so that the filter lays flat !

**Paper Template:
L-40 see last page
for surface mounting**

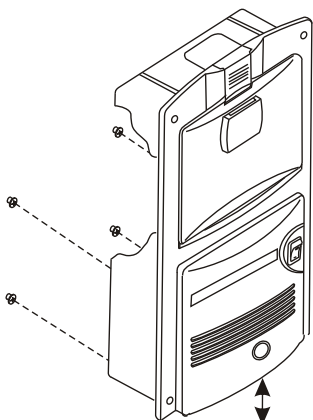


Fig.: A

Minimum height 2" from floor

**Paper Template:
L-41 for flush
mounting**

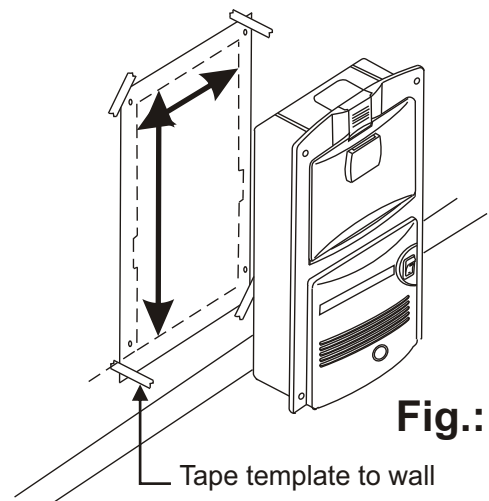


Fig.: B

interVac MODEL F-R, In-Wall Installation, hard wired connection (Romex)

Paper Template #L-41

WARNING: Disconnect all electrical power to the wall area before installing!
Do not drill near studs where electrical cable may be secured to studs adjacent to receptacles.

Note: The four mounting holes in the outer corners of the flange of the Vacuum Cleaner must be drilled from the back of the unit with a 3/16" drill bit when the unit is to be recessed into a wall.

Installation into 2x4 Drywall or Plywood: (see Fig.: B)

We recommend that vacuum cleaner be mounted against one side of a 2x4 wall stud.

To reach with the vacuum hose as far as possible, choose a wall or surface that is centrally located and has an electrical outlet or switch from a 15 amp circuit breaker. Make sure the wall is hollow and there are no pipes or other obstructions in the section you choose.

- Step 1** The vacuum cleaner should be mounted to the side of a 2X4 wall stud .
Make sure no electrical switches or outlets are on the installation side when mounted to a 2X4.
- Step 2.** Tape the template against the wall at a comfortable operating height (or a minimum of 2 to 3 inches off the floor) to the edge of the wall stud.
use the vertical cut-out line from the template and align with the edge of the stud.
- Step 3.** Refer to the paper template #L-41 for the cut-out.
- Step 4.** Install 14 gage AWG, 300V minimum Romex cable (use wires rated for at least 95C) from the electrical power supply and pull the power cable through the wall cut-out.
- Step 5.**
- a) Open the 2 3/4" x 1 3/8" side cover of the vacuum and pull the 3 inside wires through the opening.
 - b) Insert your 120 volt power supply cable through the Romex clamp on the bottom of the vacuum and out of the side cover opening.
 - d) With 3 wire nuts connect **black to black ,white to white and green ground conductor.**
 - e) Push the connected wires back into the opening and replace the side cover.
Tighten the Romex clamp.
- Step 6.** Slide the vacuum, bottom first, into the opening and secure with the four screws and screw caps.
- Step 7.** Check to be sure dust bag and motor filter (under dust bag) are in place.
The corners of the filter have to be tucked under the ribs so that the filter lays flat !

**Paper Template:
L-40 see last page
for surface mounting**

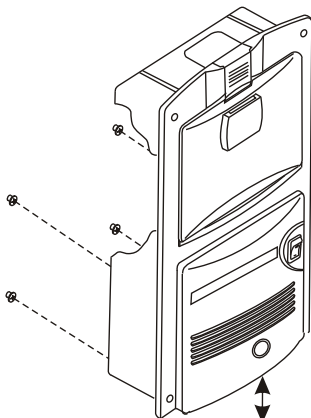


Fig.: A

Minimum height 2" from floor

**Paper Template:
L-41 for flush
mounting**

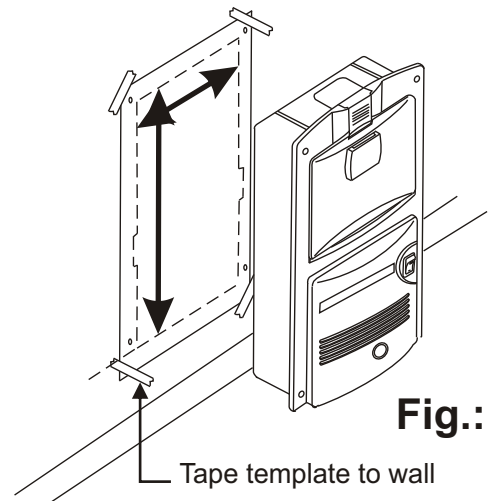


Fig.: B

Model: RMH with electric cord attached

Paper Template #L-40

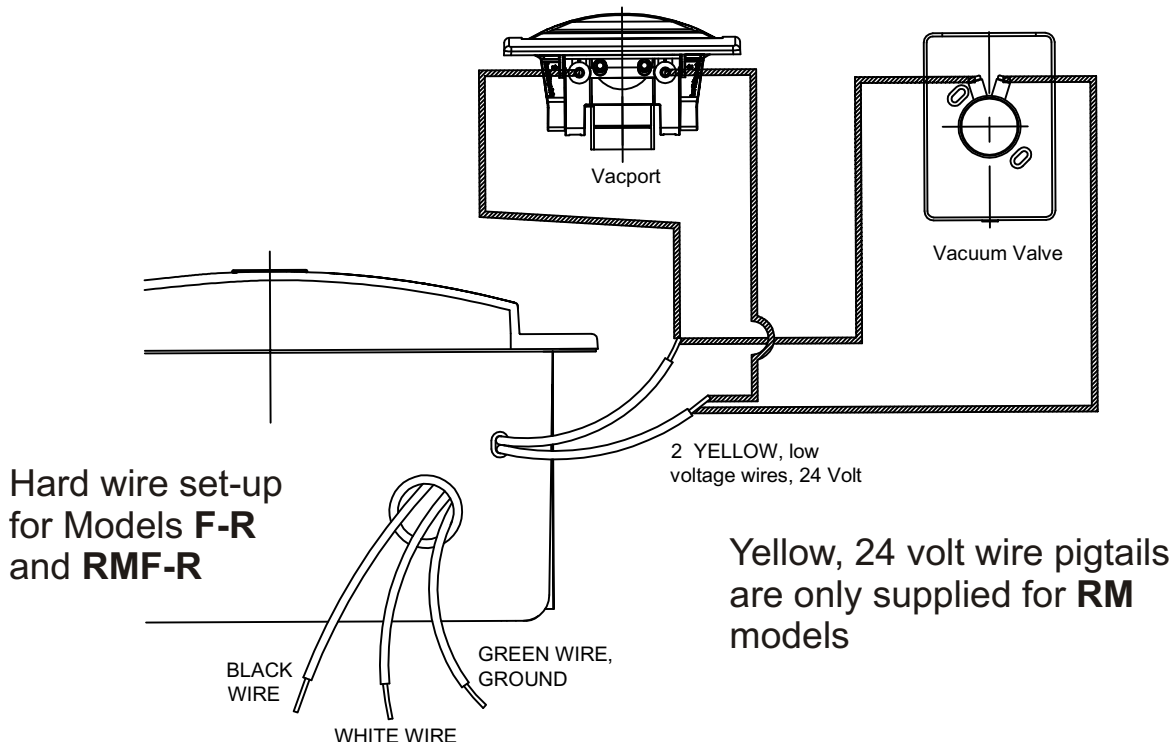
Surface Mounted to Wood or other Stable Surfaces (see Fig.: A)

- Step 1.** To reach with the vacuum hose as far as possible, find a central location for the vacuum valve and a mounting position for the vacuum as close as possible to the vacuum valve. An electrical receptacle has to be near by.
- Step 2.** Tape the paper template, page 16, for the vacuum to the wall a minimum 2" above the floor, so that the exhausting air is not restricted. Mark the 4 screw positions with a pointed tool accurately.
- Step 3.** Attach the enclosed #8 screws to the wall as marked on the template. Keep the screw heads 1/8" off the wall.
- Step 4.** Carefully remove template from the wall and place it into the operating manual for future references .
- Step 5.** Slide the key holes on the back of the vacuum cleaner over the 4 screw heads and push down.
If vacuum cleaner is loose re-tighten screws.
- TIP:** **If vacuum cleaner is mounted on its back or side it may slide of the screw heads when you pull on the vacuum hose. To prevent this, fasten a small block against the top of the unit.**
- Step 6.** Attach the flanged pipe fitting (supplied) on top of the vacuum with the 4 screws provided.
- Step 7.** Install the remote vacuum valve (see page 8). Then route the flex-hose from the valve to the vacuum.
- Step 8.** From the remote vacuum valve install two 18 gage, UL approved (AVLV2) rated minimum 300volt, 95 C, wires (24 volt line) along the flex-hose to the bottom of the vacuum to the 2 **yellow pigtails**.
Secure the wires with "ty-wraps" to the flex-hose. Connect yellow wires with butt connectors **outside** the housing.
- Step 9.** Plug the electric cord into the receptacle.
- Step 10.** Test unit for proper operation by inserting the end of the vacuum hose into the remote valve.
Please, check that dust bag and motor filter (under dust bag) are installed. Motor filter should lay flat on all 4 corners under the ribs!

**IMPORTANT: If installed during new construction, do not use to clean up building debris.
For household use only. Nails and sharp objects can damage your InterVac.**

WIRING INSTRUCTIONS:

Please Note: Models **H-C**, **F-C**, **RMH** and **RMF-C** have power cords attached



Recessed Installed into Wood or Dry-Wall Surfaces (see Fig.: B

- Step 1.** To reach with the vacuum hose as far as possible, find a central location for the vacuum valve and a mounting position for the vacuum as close as possible to the vacuum valve. An electrical receptacle has to be near by.
- Step 2.** Tape the paper template for the vacuum to the wall a minimum 2" above the floor, so that the exhausting air is not restricted. The air exhaust out of the bottom of the vacuum.
- Step 3.** Refer to the template **L-41**
- Step 4.** Install the remote vacuum valve (see page 8). Then route the flex-hose from the valve to the vacuum.
- Step 5.** From the remote vacuum valve install two 18 gage, UL approved wires (24 volt line, low voltage) along the flex-hose to the bottom of the vacuum to the **2 yellow pigtails**.
Secure the wires with "ty-wraps" to the flex-hose. Connect yellow wires with butt connectors outside the housing.
- Step 6.** Since the **F-C** and **RMF-C** have a power cord attached, you have to cut the slot on the bottom of the **L-41** drawing. Then slide the unit, bottom first, with the cord pulled to the outside, into the opening and secure with the 4 screws and screw caps. Use 2 screws for the 2x4 and 2 screws into the plywood strip.
- Step 7.** After the vacuum is in the wall, attach the flanged pipe fitting on top of the vacuum (**RMF-C** only) with the 4 screws provided.
Check to be sure that the cord is pulled to the outside as far as possible, do not pull hard.
- Step 8.** Plug the electric cord into the receptacle.
- Step 9.** Test unit for proper operation by inserting the end of the vacuum hose into the remote valve (**RMF-C** only) for the **F-C** insert the hose into the door panel.
Please, check that dust bag and motor filter (under dust bag) are installed.
Motor filter should lay flat on all 4 corners under the ribs!

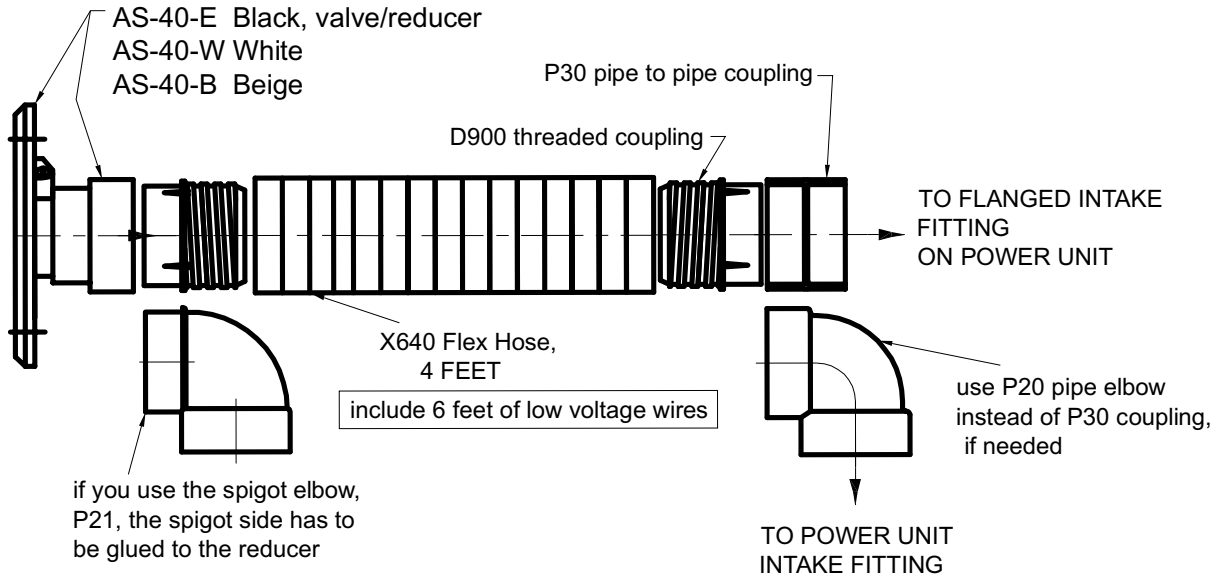
interVac™ Model RMF-R In-Wall Mounted, hard wired connection, Romex**Recessed Mounted into Wood Surface (see Fig.: B)**

NOTE: Installation should to be accessible from the back to install pipe fittings and wiring connection.

- Step 1.** Attach paper template to wall or surface about 2" inches or higher above the floor, so that the exhausting air, coming out of bottom of the vacuum, is not restricted.
- Step 2.** Read instructions on paper template **L-41**
- Step 3.** At the lower right side of the unit, remove the 2-3/4 x 1-3/8 access cover plate on the vacuum cleaner. Coming out of the bottom of the vacuum you will find black, white and green wires for the 120-volt power connection. Pull them through the access cover opening on the lower right side.
- Step 4.** Install 14 gage AWG 300V Romex cable from your 120volt electric power supply and push the cable through the Romex clamp, on the bottom of the vacuum, into the vacuum cleaner.
connect **black to black, white to white and green to bare ground conductor wires** with the supplied wire nuts. push the connected wires back into the housing, Tighten Romex clamp and replace the side cover.
- Step 5.** **2 yellow wire pigtails** for the 24 volt control circuit protruding out of the bottom of the vacuum.
Do not pull wires back into housing. Use butt connector, if available, for wiring to the vacuum valve.
- Step 6.** Install the remote vacuum valve(s) first and than the 2" dia. flex-hose.
After vacuum is installed, fasten the flanged fitting to the top of the vacuum by using the provided four #6 screws.
- Step 7** Now, attach the threaded pipe fittings to the flex-hose and then to the remote inlet valve. see page 8.
- Step 8.** From the remote vacuum valve install two 18 or 20 gage, UL approved wires (24 volt line) along the flex-hose to the bottom of the housing to the **2 yellow pigtails**.
Secure the wires with "ty-wraps" to the flex-hose. Connect wires with butt connectors outside the housing.
- Step 9.** Place the vacuum cleaner with bottom first in the cut-out and secure with the 4 screws and caps provided.
- Step 10.** Please, check that dust bag and motor filter (under dust bag) are installed.
Motor filter should lay flat on all 4 corners under the ribs!
Test unit for proper operation by inserting the end of the vacuum hose into the remote valve.

FITTING ASSEMBLY: **AF-01-E, AF-01-W or AF-01-B** E-bony, W-hite or B-eige)

1 VALVE and FITTINGS for MODELS: CS-RM and RM



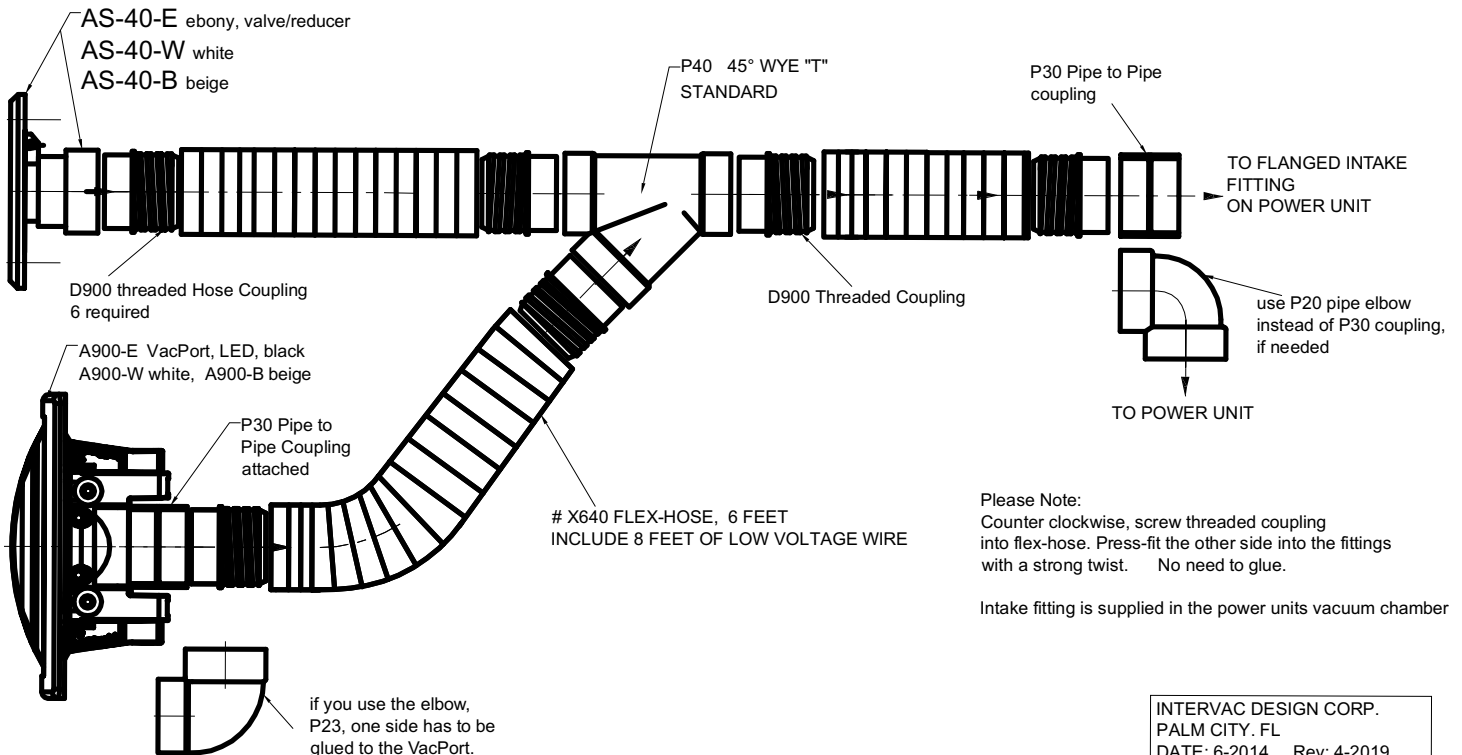
Please Note:
Counter clockwise, screw threaded coupling into flex-hose. Press-fit the other side into the fittings with a strong twist. No need to glue.

Intake fitting is supplied in the power units vacuum chamber

interVac Design
Palm City, FL. 3-2016
rev.: 9-2017

FITTING ASSEMBLY: **AF-10-E, AF-10-W or AF-10-B** (black, white or beige)

1 VALVE, VACPORT/LED (sweeper pan) and 45° WYE "T" for MODELS: CS-RM, RM and RMD



Please Note:
Counter clockwise, screw threaded coupling into flex-hose. Press-fit the other side into the fittings with a strong twist. No need to glue.

Intake fitting is supplied in the power units vacuum chamber

INTERVAC DESIGN CORP.
PALM CITY, FL
DATE: 6-2014 Rev: 4-2019

HOW TO OPERATE MODELS: F + H

NOTE: THE LOWER PART OF THE VACUUM CLEANER WILL BE QUITE WARM WHEN IN USE.

IF THE VACUUM STOPS RUNNING:

Most likely the vacuum hose is clogged and the motor shuts off. Push the switch into OFF position and let the motor cool down. Restart the vacuum without the vacuum hose attached for 10 minutes and keep the small cover on the door open. If vacuum keeps running the hose or the tools are clogged. PLEASE SEE TROUBLE SHOOTING GUIDE page 12.

A. Connecting and disconnecting the hose.

1. Lift the inlet valve cover on the front of the door.
2. Insert hose cuff with a twist and push to secure, friction fit.
3. To remove, turn hose in either direction while pulling hose towards you.

B. On / Off Switch

1. Do not run vacuum with out hose attached.
2. To start the vacuum cleaner, push the switch to the "I" position.
3. To stop the vacuum cleaner, push the switch to the "O" position.

C: How to change the dust bag, DO NOT REUSE DUST BAG

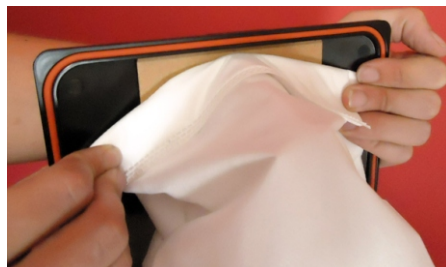
Replacement bag: Part # Y08 high filtration 5 layer fiber bag.

1. Open the door on the vacuum cleaner by pushing the latch upward and remove both door and dust bag.
2. Carry door and dust bag to the trash container. Remove full bag and discard.
3. Place a new dust bag all the way over the pipe on the door.
4. When closing door, tuck in the top edge of the bag, so the door is properly sealed and the latch clicks into place.

TIP: If you break off the vacuum hose inlet cover on the door; simply reattach it by lining up one of the small dimples located on the inside of the inlet covers arms and than press hard on the other side to click into position.



attach collar of dust bag over black pipe



push the cardboard collar of the bag tight against the door



push the top edge of the bag inside the vacuum when closing the door

C: To change motor filter, Replacement Part # Y21 (see Fig.: E)

1. Remove door and dust bag.
2. Reach into the cavity towards the bottom of the vacuum cleaner and remove the motor filter.
3. Replace the filter with a new or cleaned filter and tuck in the corners so that the filter lays flat on the grid,
4. If necessary, clean the dirty filter by vacuuming or washing in mild soap by hand.

HOW TO OPERATE YOUR MODELS RMH & RMF

**NOTE: THE LOWER PART OF THE VACUUM CLEANER CAN BE QUITE WARM.
IF THE VACUUM STOPS RUNNING:**

Disconnect the vacuum hose from the unit and let the vacuum cool.

The thermal protector on the motor will reset itself after the motor is cooled.

The most likely cause will be a full bag or clogged vacuum hose or tools.

PLEASE SEE TROUBLE SHOOTING GUIDE. Page 12

A. Connecting and disconnecting the hose.

1. Lift inlet valve cover on the remote mounted valve.
2. Insert the vacuum hose cuff with a **twist** and push in. The vacuum cleaner will start automatically.
3. To remove, turn hose in either direction while pulling hose towards you.
The vacuum cleaner will stop running.

B. How to change the dust bag, Replacement Part # Y08 DO NOT REUSE DUST BAG

1. Open the door on the vacuum cleaner by pushing the latch upward and remove door completely.
2. Remove full bag and discard.
3. Locate the pipe inside the vacuum chamber. Holding the new bags cardboard collar at approximately a 45 degree angle and pushing the cardboard part of the bag against upper back corner of the vacuum cleaner chamber behind the pipe fitting. Lift the front of the collar over the fitting as far as possible.
4. When closing door, tuck-in the left and right corners of the bag, so the door is properly sealed and the latch clicks into place.

NEVER OPERATE THE VACUUM CLEANER WITHOUT THE DUST BAG OR THE MOTOR FILTER.

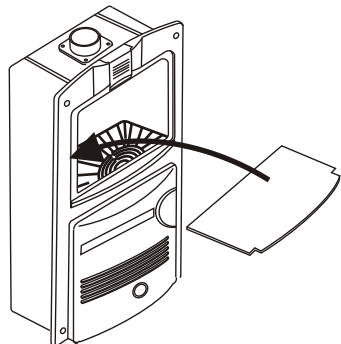


C: To change motor filter, Replacement Part # Y21 (see Fig.: E)

1. Remove door and dust bag.
2. Reach into the cavity towards the bottom of the vacuum cleaner and remove the motor filter.
3. Replace the filter with a new filter and tuck-in the corners so that the filter lays centered and flat on the grid, with the straight side towards the back.
4. If you need to; clean the dirty filter by vacuuming or washing in mild soap by hand.

Do not clean in washing machine.

Let filter dry completely.



**E: Replacing Motor Filter
Part #Y21 for all models.**

Tuck-in the corners and sides under the vertical ribs

interVac[®] MODEL RMD with Electric Cord or Permanent Installation

Please note: the installation for the model RMD is the same as for the models RM
You can insert the vacuum hose in the door on the front panel as well as
in the remote mounted vacuum valve.

When inserting the vacuum hose into the front panel you have to use the
switch to start and stop the vacuum.

Insert vacuum hose first before turning the switch to ON.

NOTE: Do not run vacuum without hose attached or inlet cover open!

HOW TO OPERATE YOUR MODEL RMD

NOTE: THE LOWER PART OF THE VACUUM CLEANER CAN BE QUITE WARM.

IF THE VACUUM STOPS RUNNING:

Disconnect the vacuum hose from the unit and let the vacuum cool.

The thermal protector on the motor will reset itself after the motor is cooled.

The most likely cause will be a full bag or clogged vacuum hose.

PLEASE SEE TROUBLE SHOOTING GUIDE. Page 12

A. Connecting and disconnecting the vacuum hose.

1. Lift inlet cover on the **remote valve**. Insert the hose cuff with a twist and push, vacuum will start automatically.
2. Lift the flap on the **door** insert the hose and turn the switch on the front panel to ON.
3. To remove, flip switch to OFF then twist and remove hose in either direction while pulling hose towards you.

B. How to change the double collar dust bag, Replacement Part # Y09 DO NOT REUSE DUST BAG

1. Open the door on the vacuum cleaner by pushing the little latch upward and remove door completely.
2. **The dust bag has 2 cardboard collars, a collar with arrows and a printed collar.**
3. Locate the pipe inside the vacuum chamber. Holding the arrow cardboard collar at approximately a 45 degree angle, push the cardboard part of the bag against upper back corner of the vacuum cleaner chamber behind the pipe. Lift the front of the collar over the pipe as far as possible. Then attach the printed collar to the pipe at the door. Slide the bottom of the bag into the vacuum chamber and secure the door.
4. When closing door, tuck-in the left and right corners of the bag, so the door is properly sealed and the latch clicks into place.

NEVER OPERATE THE VACUUM CLEANER WITHOUT THE DUST BAG OR THE MOTOR FILTER.



Attach to inside pipe



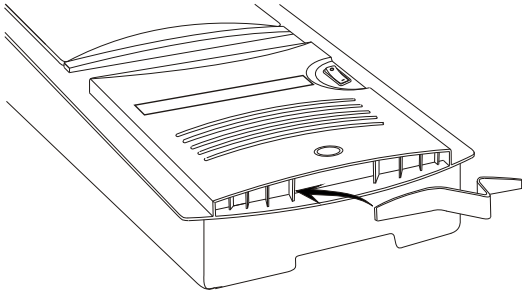
Attach to pipe on the door



Tuck in the corners before closing

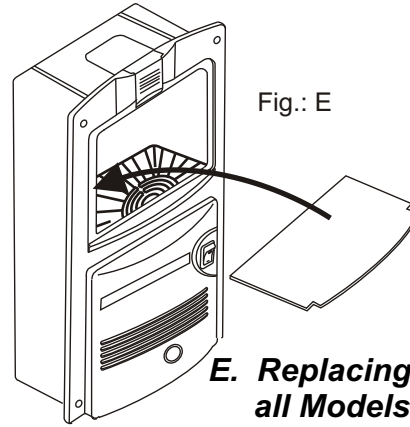
C: To change motor filter, Replacement Part # Y21 (see Fig.: E)

1. Remove door and dust bag.
2. Reach into the cavity towards the bottom of the vacuum cleaner and remove the motor filter.
3. Replace the filter with a new filter and tuck-in the corners so that the filter lays centered and flat on the grid, with the straight side towards the back.
4. If you need to; clean the dirty filter by vacuuming or washing in mild soap by hand.
Do not clean in washing machine.
Let filter dry completely and reuse as needed.



**D: Replacing Exhaust Filter,
Part #Y41: IF SUPPLIED,**

Pinch exhaust filter in the middle and pull out.
To replace, pinch in the middle and slide in
one side first. (washable by hand)



**E. Replacing motor filter,
all Models, Part # Y21**
tuck-in the corners and sides
carefully under the ribs

TROUBLE SHOOTING:

TIP : If you use our very convenient stretch hose, but require more suction power, we recommend you try a traditional crush-proof central vacuum hose.

IF MOTOR SUDDENLY STOPS:

1. The most common cause is a clogged hose. Disconnect vacuum hose from cleaner, hold one end high up in the air and drop a quarter or similar object into the hose. If the quarter gets stuck the hose is clogged. Try to unclog the hose with a long stick or see below “cleaning the hose”.
2. The bag is overfilled or fine dust has clogged the bag. Replace with new bag.
DO NOT EMPTY AND REUSE, if you reuse the bag the pores in the bag would be clogged, you will lose vacuum suction.
3. The vacuum cleaning tools are clogged.
4. Vacuuming large amounts of dust other than household dirt, such as dry-wall or fine wood dust can block the bags pores fast, even if the bag is fairly new.
5. The motor filter is dirty and should be cleaned or replaced.
6. If vacuum unit is installed in a airtight compartment the exhausting air cannot escape, the motor can overheat and shut off until it cooled down and is restarted.
7. The exhaust filter should be checked and replaced or cleaned.

IF YOU LOSE SUCTION:

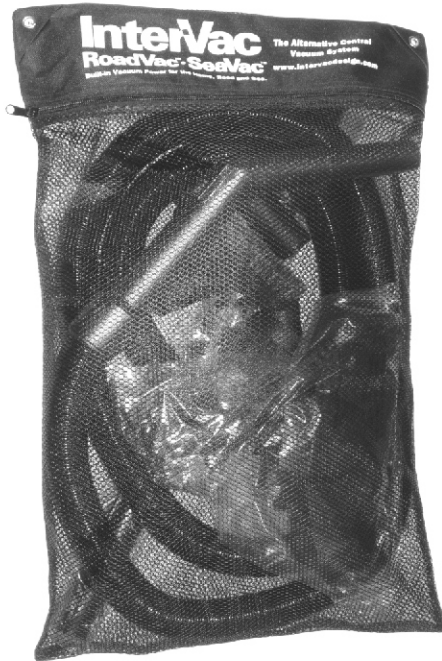
1. The door is not properly closed, the dust bag is clamped behind the door and door frame.
2. For RM and RMD units only: the gray 2” diameter hose connecting the vacuum to the valve(s) might have fallen off the connecting fittings.
3. If you have trouble finding the problem, please call us direct, **we are here to help.**

CLEANING THE STRETCH HOSE:

The stretch hose, besides all its’ conveniences, has a tendency to get clogged.

- a) Lift the hose up on both ends and dispense some liquid detergent into both ends.
- b) With a garden hose, holding both ends still up, add ¾ with water.
- c) Shake hose up and down, let detergent loosen the dirt.
- d) Stretch the hose as far as you can (2 people required) and wash the dirt out with the full pressure of the garden hose. Repeat if necessary.

interVac ACCESSORIES



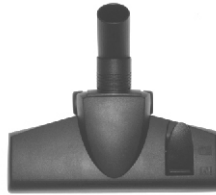
Complete Tool Kit

(Includes all item on the right)
PART # TK-100 for Models H, F, CM
PART # TK-101-B for all RM Models



40' Stretch Hose Assembly
 with **Plain Cuff.**
PART# AS-10

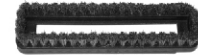
40' Stretch Hose Assembly with
Banded Cuff.(RM Models)
PART# AS-11



Floor/Rug Tool
PART # X403



2 Part Upholstery
 Tool **PART # X300**



Crevice Tool
PART # X200



Dust Brush
PART # X250



Mesh Storage Bag
PART # X501

Telescoping Wand, **PART # X157**



REPLACEMENT DUST BAGS:

PART # Y08-5 (5 pack) HEPA Type 5 layer fiber filtration
 bags with exhaust filter for all InterVac Models

PART # Y09-5 (5-pack) for RMD Models.

NOTE: All Power Units come with 2 Dust Bags



OPTIONAL VACUUM TOOLS

30 Feet Traditional
 Central Vacuum Hose
PART #AS-20 for Models H, F
PART # AS-21 for all RM Models



Elongated Dust Brush
PART # X251



Air Turbo Nozzle
PART # X451



Dust Sweeper Inlet Valve
"VacPort.com" for RM Models
Model A910 w/o LED light
Model A900 with LED light



INTERVAC reserves the right to make improvements and modifications without notice.

GarageVac Models



GF-120
In-wall installation where the unit fits flush into a 2x4 stud wall. Space saving. Can also be flush mounted into a garage cabinet. Minimum wall space required.



GH-120
surface mounted in the hobby shop. Can easily be moved to an other location. Compact and very fast excess to vacuum tools and hose



Model GH-120
Install the vacuum close to the garage door. This way cars can be reached inside and outside the garage. Most effective installation. Minimal wall

NEW FROM INTERVAC



Model AS-32
Remote Control RFI system for all CSRM, RM models and other central vacuums.

The pistol grip is easy to attach to a vacuum hose. The LED switch starts / stops the vacuum



The receiver box with electric cord mounts next to the central vacuum power unit.

other InterVac Models



Model RM-H
Installed as a traditional central vacuum system with a vacuum valve in the living room and the power unit on the other side of the wall, it could be the garage, utility room or closet.

see our website:
www.intervacdesign.com

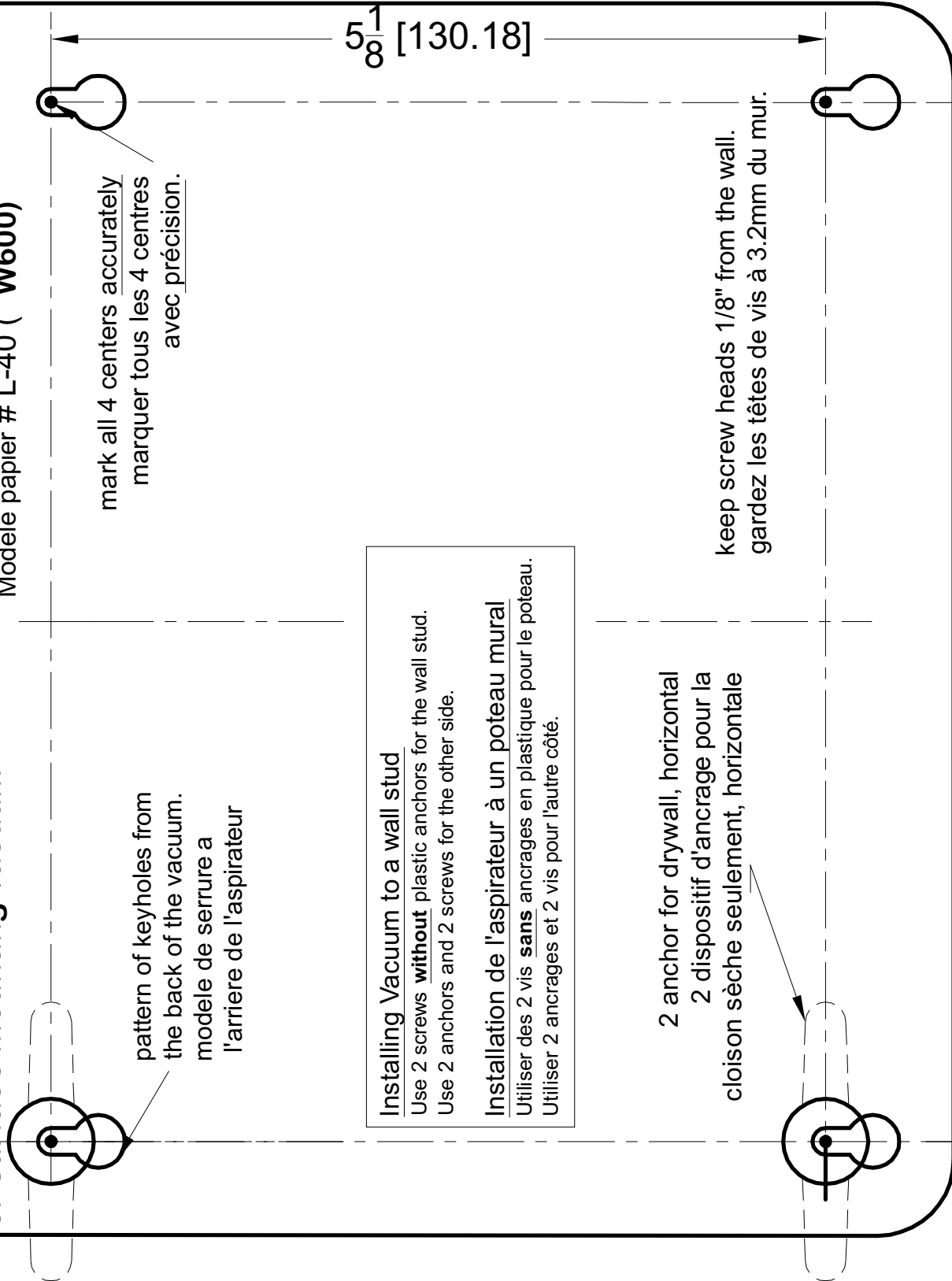


Model F-R
(GF120 without the tool caddy)
Installed in the hallway of a town house. Easiest and lowest cost of having a central vacuum in your home.

see our website:
www.intervacdesign.com

TEMPLATE for SCREW CENTERS for surface mounting vacuum

Template #L-40 (W600)
 Modele papier # L-40 (W600)



Plan d'installation L-40 de surface en bois et en cloison sèche

pattern of keyholes from
 the back of the vacuum.
 modele de serrure a
 l'arriere de l'aspirateur

mark all 4 centers accurately
 marquer tous les 4 centres
 avec précision.

Installing Vacuum to a wall stud
 Use 2 screws **without** plastic anchors for the wall stud.
 Use 2 anchors and 2 screws for the other side.

Installation de l'aspirateur à un poteau mural
 Utiliser des 2 vis **sans** ancrages en plastique pour le poteau.
 Utiliser 2 ancrages et 2 vis pour l'autre côté.

2 anchor for drywall, horizontal
 2 dispositif d'ancrage pour la
 cloison sèche seulement, horizontale

keep screw heads 1/8" from the wall.
 gardez les têtes de vis à 3.2mm du mur.

6 7/8 [174.59]

5 1/8 [130.18]

CUT ALONG DOTTED LINE, save template for future references
 Couper le long de la ligne en pointillé, enregistrez le modèle pour les futures références