

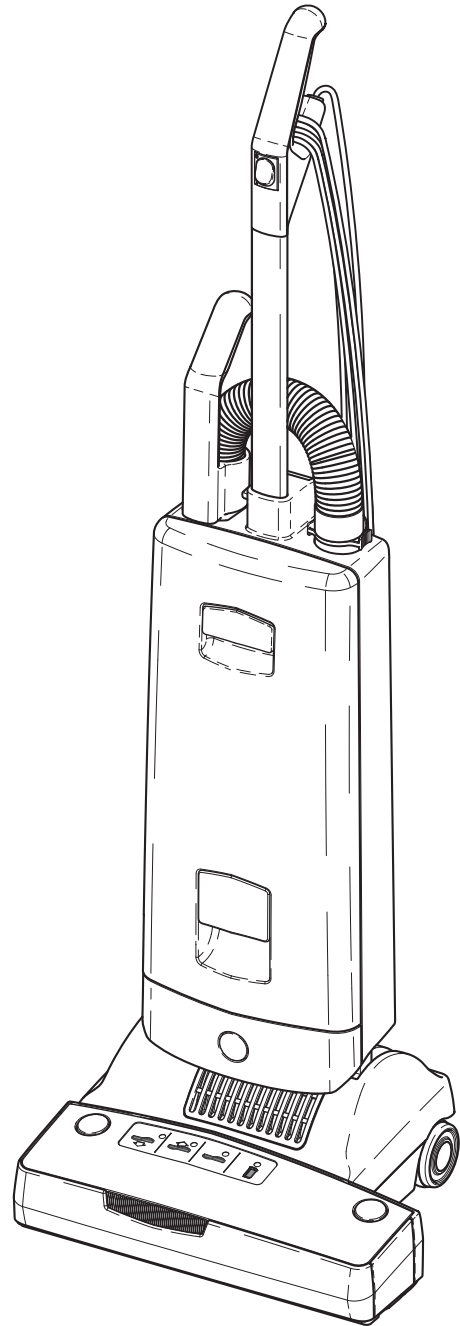
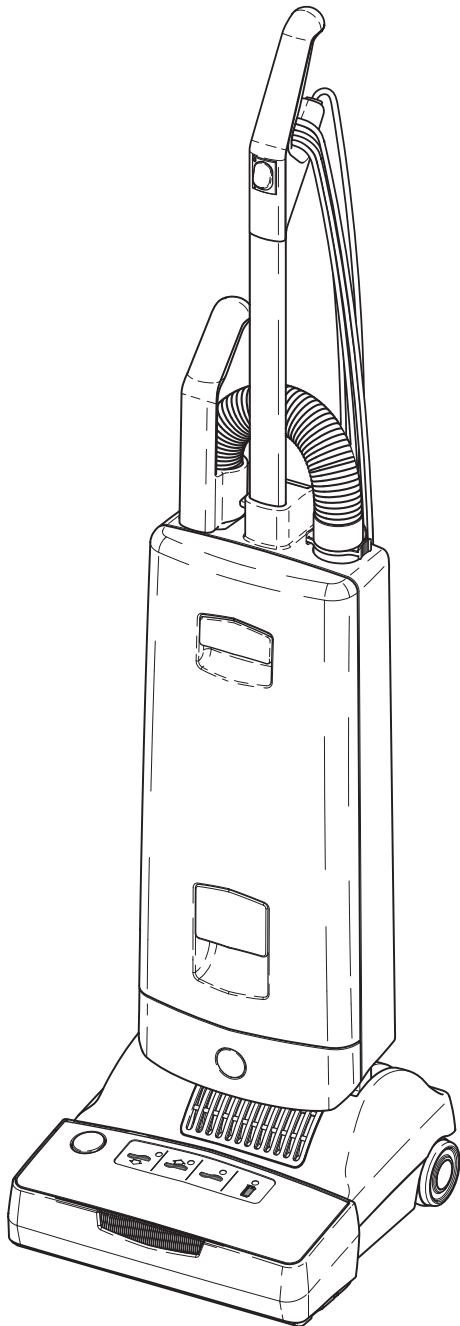


SEBO AUTOMATIC X  
X7 | X7 PREMIUM | X8

MADE IN GERMANY

# OWNER'S MANUAL

For Household Use Only



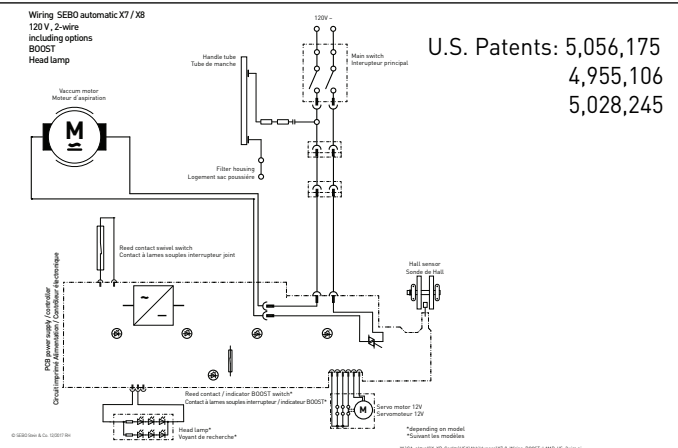
# TABLE OF CONTENTS

<b>Technical Details</b> .....	<b>2</b>
<b>Wiring Diagram</b> .....	<b>2</b>
<b>How To Contact SEBO</b> .....	<b>2</b>
<b>Important Safety Instructions</b> .....	<b>3</b>
<b>SEBO AUTOMATIC X Product Features</b> .....	<b>4</b>
<b>Standard Features of all SEBO Vacuums</b> .....	<b>5</b>
<b>Optional Attachments, Accessories, Bags &amp; Filters</b> .....	<b>6</b>
<b>Identification of Parts</b> .....	<b>7</b>
Standard Attachments .....	7
Assembly .....	7
<b>Operating Instructions</b> .....	<b>8</b>
Starting the Machine .....	8
Operating the Machine .....	8
Using the Cleaning Wand, Hose & Attachments .....	9
The Display Panel .....	9
The BOOST Function .....	9
The Adjustment Wheel .....	9
<b>Maintenance</b> .....	<b>10</b>
Changing the Filter Bag .....	10
Changing the Pre-motor Microfilter .....	10
Changing the Exhaust Filter .....	10
Changing the Brush Roller(s) .....	10
Changing the Sealing Strip .....	10
<b>Clog Removal</b> .....	<b>11</b>
Clogs in the Airflow Pathway .....	11
Clogs in the Attachment Hose .....	11
Clogs in the Cleaning Wand .....	11
Clogs in Entrance to Filter Bag .....	11
Clogs in the Swivel Neck .....	11
<b>Trouble-Shooting Guide</b> .....	<b>12</b>
<b>AUTOMATIC X7   X7 Premium   X8 Bag Housing and Handle Schematic and Part Numbers</b> .....	<b>13</b>
<b>AUTOMATIC X7 Power Head Schematic and Part Numbers</b> .....	<b>14</b>
<b>AUTOMATIC X7 Premium Power Head Schematic and Part Numbers</b> .....	<b>15</b>
<b>AUTOMATIC X8 Power Head Schematic and Part Numbers</b> .....	<b>16</b>

## TECHNICAL DETAILS

Vacuum motor	120 volts (12 amps)
Water lift (at motor)	91.5 inches
Airflow (at motor)	100.2 CFM
Filter bag capacity	1.4 gal.
Sound level	69 dBA
Body weight	X7-16.7 lbs / X8-16.9 lbs
Motor protection	electronic cut-out
Working width	X7-12 inches / X8-15 inches

## WIRING DIAGRAM



## HOW TO CONTACT SEBO

**To contact SEBO in the United States of America:**  
 SEBO America, LLC  
 Telephone: (800) 334-6614  
 Fax: (303) 792-9196  
 Website: [www.sebo.us](http://www.sebo.us)

**To contact SEBO in Canada:**  
 SEBO Canada  
 Telephone: (800) 661-8687  
 Fax: (800) 270-4807  
 Website: [www.sebocanada.ca](http://www.sebocanada.ca)

# IMPORTANT SAFETY INSTRUCTIONS



## READ ALL INSTRUCTIONS BEFORE USING THIS MACHINE

### When using an electrical appliance, basic precautions must always be followed.

To reduce the risk of electric shock, this vacuum cleaner has a polarized plug; one blade is wider than the other. This plug will fit in a polarized outlet only one way. If the plug does not fit fully in the outlet, reverse the plug. If it still does not fit, contact a qualified electrician to install the proper outlet. Do not change the plug in any way. Connect only to the outlet type specified on the serial number plate underneath the machine.

### **WARNING: To reduce the risk of fire, electric shock, or injury:**

1. Do not leave vacuum while plugged in. Unplug from outlet when not in use and before servicing.
2. Do not use outdoors or on wet surfaces.
3. Do not use near small children or pets. Do not allow to be used as a toy. Use of this product by children should always be supervised by an adult.
4. Use only as described in this manual. Use only manufacturer-recommended attachments.
5. Do not use with a damaged cord or plug. If vacuum is not working as it should, has been dropped, damaged, left outdoors, or dropped into water, take it to a SEBO service center.
6. Do not pull or carry by cord, use cord as a handle, close a door on cord, or pull cord around sharp edges or corners. Do not run vacuum over cord. Keep cord away from heated surfaces.
7. Do not unplug by pulling on cord. To unplug, grasp the plug – not the cord.
8. Do not plug in if switch is in the “I” (ON) position.
9. Do not use outlets above counters to plug in vacuum – damage to items in the surrounding area could occur.
10. Always carry the vacuum over steps and sills.
11. Do not handle plug or vacuum handle with wet hands.
12. Do not put any object into vacuum openings. Do not use machine with any openings blocked. Keep openings free of lint, hair, and anything that may reduce air flow.
13. Do not re-use filter bags or wash the filters.
14. Do not remove any screws from vacuum.
15. Do not vacuum up anything that is burning or smoking, such as cigarettes, matches, or hot ashes.
16. Do not use vacuum without filter bag and/or filters in place.
17. Turn off all machine controls before unplugging.
18. Use extra care when cleaning on stairs.
19. Do not use machine to vacuum up flammable or combustible liquids such as gasoline or use in areas where they may be present.
20. Machines can cause a fire when operated near flammable vapors or materials. Do not operate this vacuum near flammable fluids, dust or vapors.
21. Maintenance and repairs must be done by qualified personnel.
22. Use only original SEBO replacement parts.
23. Do not use vacuum as a step.
24. If vacuum is used on plush carpet or carpet with thick padding, do not leave machine standing in one place with machine turned on.
25. Do not use the operator’s handle, which inserts into the top of the bag housing, to carry the machine. The carrying handle is located on the backside of the machine’s bag housing.
26. Keep hair, loose clothing, fingers, and all parts of body away from vacuum openings and moving parts. Do not place fingers or other body parts under vacuum unless it is unplugged.
27. Do not place the power head over rug or carpet edges.
28. The vacuum has a manual reset thermal protector. The protector is reset by switching off the vacuum. The thermal protector needs some time to cool down after switching off! Check the vacuum for air blockages or mechanical failures before switching on.
29. Store the vacuum in a dry place at room temperature. When the vacuum is not in use, you should wrap the cord on the cable hooks.
30. Any other servicing should be performed by an authorized service representative.
31. Always turn off this appliance before connecting or disconnecting power head with brush.

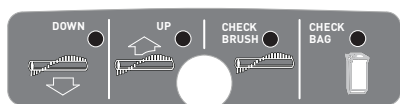
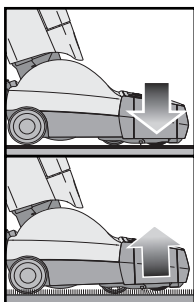
**SAVE THESE INSTRUCTIONS.**

# SEBO AUTOMATIC X PRODUCT FEATURES

## Designed for All Floor Surfaces.

### Automatic Height Adjustment for All Floors

– Based upon the resistance of the brush roller against the floor, the power head automatically adjusts up or down to the appropriate cleaning height, providing optimal cleaning of all floor surfaces. The height adjustment chosen by the machine ensures aggressive brush action, while providing optimal air flow. This prevents suffocation of air flow due to improper height selection. Never again manually adjust the brush height or use different vacuums for various floor surfaces; the SEBO X cleans them all, automatically!



**Brush Adjustment Indicator Lights** – Two lights, one for “up” and one for “down,” illuminate to indicate when the brush roller is in the process of adjusting to the proper cleaning height. Optimum cleaning occurs when both lights are off.

**Bag Full or Clog Light & Auto Shut Off** – A warning light will illuminate and the machine will automatically shut off, when it senses a full bag, a clog in the airflow pathway, or an excessively dirty micro filter. If the user ignores this warning for approximately 30 seconds, the machine will shut off and the “BAG FULL OR CLOG” light will flash. The user should turn the switch off, unplug the machine and immediately insert a new bag or remove the clog (to remove a clog, refer to the Clog Removal section on page 10). If the user restarts the machine without having solved the problem, the “BAG FULL OR CLOG” light will again illuminate and the machine will shut off in 30 seconds. This feature prevents damage to the motor due to overheating.

**Brush Deterioration Light** – To ensure optimum cleaning at all times, a warning light will illuminate to indicate when the brush roller should be replaced due to excessive wear. The red “CHECK BRUSH” light will illuminate (after a 10 second delay) to notify the user that the brush roller is too worn and, therefore, should be replaced. The light will remain illuminated until the worn brush roller is replaced, but the machine will continue to operate.

**Brush Obstruction Light & Auto Shut Off** – A warning light will quickly flash, the brush roller will immediately stop spinning and the vacuum will shut off, if an obstruction becomes jammed in the brush roller. This prevents the belt from breaking and protects the motor from damage. The user should turn the switch off, unplug the machine and immediately remove the obstruction. If the user restarts the machine without removing the obstruction, the machine will again shut off in 3 seconds and the “CHECK BRUSH” light will flash.

**Stationary Use Light** – A warning light will slowly flash when the machine is standing in its upright locked position (which causes the power head to rise to its highest point from the floor) yet the brush remains in contact with the carpet fibers. This feature warns of potential carpet damage caused by excessive time in a stationary position, during which carpet fibers remain engaged with the brush, usually on medium to high pile carpet.

**LED Head Lamp\*** - This feature provides illumination for the dark areas of a room.

\* depending on model

**Easy Brush Roller Removal** – Quick brush cleaning or replacement is easy, and no tools are required!

**Vacuum Motor** – The AUTOMATIC X has a 1300 watt motor.

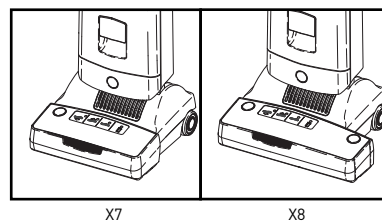
**Instant-use Wand and Suction Hose** – The integrated instant-use cleaning wand or suction hose is always ready. Just pull out either tool, or both together, to clean hard-to-reach corners, edges and crevices. The suction hose is ideal for cleaning furniture. And an optional nine-foot extension hose is available, which creates a total hose length of 15 feet, perfect for cleaning stairs. Choose from a range of optional attachments that can be fitted to the cleaning wand or hose. The wand and hose together have an eight-foot reach for instant cleaning of hard-to-reach areas.

**A Flat-to-the-floor, 6-inch Profile** – Such a low profile makes cleaning under furniture and beds easy!

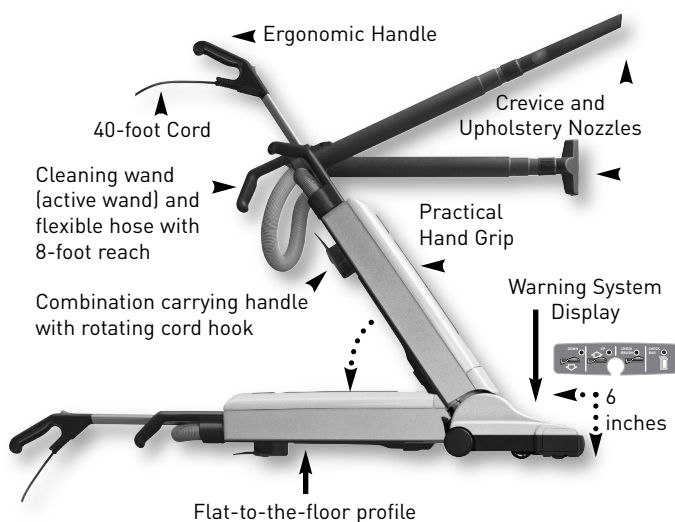
**Forty-foot Cord** – A 40-foot cord saves time because it minimizes the number of electrical outlets needed during use.

**Lifetime Belt Warranty** - No more changing belts...they should last the life of the machine!

**Two Power Head Widths** – The AUTOMATIC X7 power head is 12 inches wide, with a cleaning width of 10½ inches. The AUTOMATIC X8 power head is 15-inches wide, with a cleaning width of 14½ inches.



**Three On-board, Full-size Tools and Large Filter Bag** – The vacuum comes standard with a crevice nozzle, dusting brush and upholstery nozzle. Many optional accessories are also available. The filter bag is also SEBO’s largest, with a dirt capacity of 1.4 gallons.



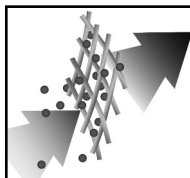
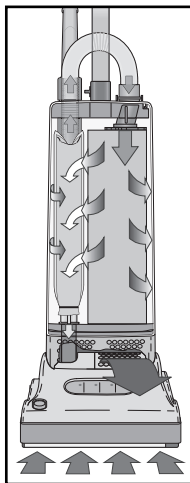
# STANDARD FEATURES OF ALL SEBO VACUUMS

## SEBO's FILTRATION SYSTEM:

**Bagged vs. Bagless . . . Bags are Better!** – Top-fill, three-layer Ultra Bags are an integral part of SEBO's filtration system because they hold virtually all the dirt captured by the vacuum, which improves the effectiveness and useful life of the microfilters. They also ensure continuously strong suction because dirt enters from the top, deposits at the bottom, accumulates upward, and air exits through the sides, which allows unimpeded airflow as they fill to capacity. And they can be tightly sealed with a hygiene cap when full, so no dust can escape into the air during bag removal and disposal.

In contrast, without bags to hold nearly all the captured dirt, the microfilters on bagless vacuums quickly clog from excessive dirt build-up and must be replaced often, or a loss of suction and cleaning effectiveness will occur. In addition, dust and other allergens become airborne when emptying bagless dirt containers. Lastly, bagless vacuum microfilters are expensive, usually costing more than a multi-year supply of SEBO filter bags.

**S-class, Pre-motor and/or Exhaust Microfilters** – S-class, Pre-motor and Exhaust Microfilters (S = "Schwebstoff" = airborne particles) are made from electrostatically charged, micro-fiber material, which attracts and captures dust particles from the airflow of the vacuum before and after it passes over the motor to cool it. Cooling the motor with super-clean air increases motor life and reduces the possibility of maintenance, even after many years of use. Also, the exhaust air is cleaned to the highest level before being emitted from the machine. The S-class Standard requires filters to absorb greater than 99.9% of particles down to 0.3 microns in diameter. For comparison, 100 microns is the diameter of a human hair. Their advantages are a relatively open texture that allows smoother airflow for better suction performance, a longer life expectancy, and they cost less than HEPA filters.



**Designed and Manufactured in Germany** – Legendary quality, reliability and performance make SEBO vacuums the first choice of cleaning professionals throughout the world.

**World's Best Pet Vacuums** – Because of superior power-head and brush-roller technology, SEBO vacuums are the world's best for pet hair removal!

**Excellent for Users With Allergies or Asthma** – The British Allergy Foundation recommends SEBO filters.

**Tightly Sealed Vacuums Ensure Effective Filtration** – Dirty air, which flows through a vacuum, can only be filtered completely if it does not escape into the room through seams or seals in the machine. This is why all SEBO vacuums have tight seals throughout.

Many vacuum companies with high-filtration claims are actually quoting specifications made by the manufacturer of the filter material, as measured in the laboratory, not the filtration effectiveness of the vacuum itself while operating. Whether or not dirty air can escape through leaks in the body of the machine is not considered. The filtration effectiveness of SEBO vacuums is tested while they operate.

**Reliable, Commercial-grade Components** – All SEBO vacuums are constructed with thick, reinforced, ABS plastic, aluminum and metal parts, steel axles and bearings, and high-end, quality motors. Therefore, SEBO users own reliable, long-lasting vacuum cleaners. Competing vacuums are made with thin, flimsy, inexpensive, plastic materials, none of which are reinforced, and typically have useful lifespans of one or two years.

**Rubber Wheels and Soft Bumpers Protect Homes** – Smooth-gliding, rubber wheels protect hard floors and provide exceptional maneuverability. In addition, the bumpers that surround the power heads and the soft AIRBELT bumpers that surround SEBO's canisters protect furniture, walls, and vacuum housings from incurring scuffs and scratches during use.

**Advanced, Brush-Roller Technology** – SEBO's brush rollers are uniquely designed to funnel hair and debris into the power head's airflow channel, which improves vacuum cleaning performance on all flooring surfaces.

**Changing Bags is Easy and Clean** – SEBO filter bags can be changed in just a few seconds, and a hygiene cap keeps dust sealed inside during removal and disposal.

**Save Money! SEBO Vacuums Last for Years and Extend Carpet Life!** – If properly maintained, SEBO vacuums save ordinary, residential users hundreds of dollars, by providing excellent performance for ten to fifteen years or more, and their deep-cleaning, power-brush technology extends the life of carpets. Typical vacuums perform poorly, even when new, and usually do not last beyond two years. So six or seven "disposable vacuums" must be purchased during the average life expectancy of just one SEBO machine.

**Incredible Warranty Coverage** – All SEBO models include a FREE seven-year warranty on the motor and five-years on non-wear parts and labor charges.

# OPTIONAL ATTACHMENTS, ACCESSORIES, BAGS & FILTERS

In addition to the standard on-board tools, a variety of optional attachments are available. The nine-foot extension hose (extends suction hoses) and the 22-inch extension wand (extends instant-use wands) are very popular because they create useful tools for cleaning stairs and out-of-reach areas. These two items are sold separately or as part of multiple item attachment kits.

Another popular attachment is the hand-held turbo brush for removing pet hair from upholstery. SEBO Ultra filter bags can be purchased in boxes of eight and filters are sold separately. SEBO bags, filters and accessories are reasonably priced and widely available. To create a fresh scent while vacuuming, SEBO FRESH is available. To use, deposit a scented stick in the filter bag.

## ATTACHMENTS

Included  
X7, X7 Premium,  
X7 Premium Pet & X8



Included  
X7 Premium Pet



Optional  
Three-piece Kit

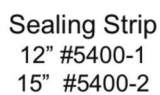
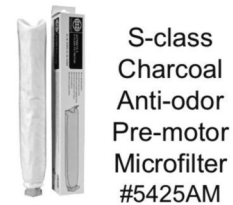


\*All three items are  
available individually  
or as a three-piece  
attachment kit,  
#1991AM.

Additional  
Options



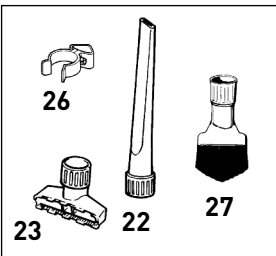
## BAGS, FILTERS, ACCESSORIES AND WEAR ITEMS



# IDENTIFICATION OF PARTS

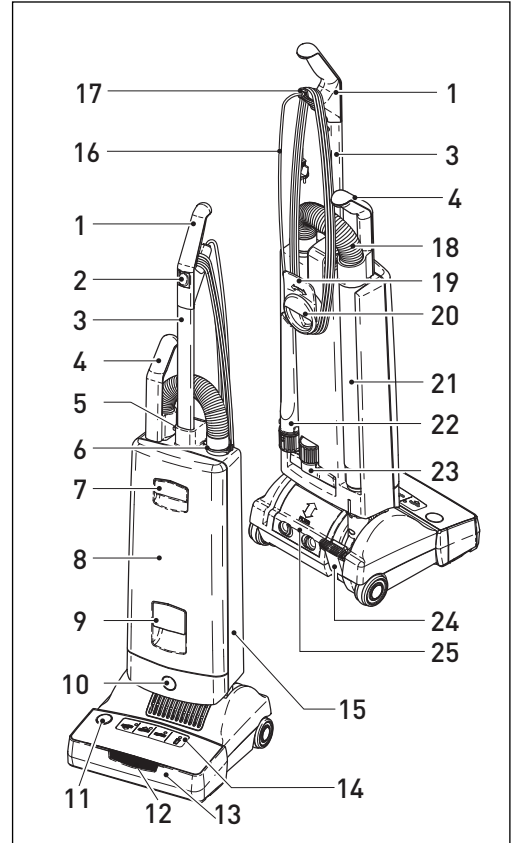
- |                                 |                                 |
|---------------------------------|---------------------------------|
| 1. Handle grip                  | 17. Upper cable (cord) hook     |
| 2. On/Off switch                | 18. Attachment hose             |
| 3. Handle assembly              | 19. Cable (cord) hook           |
| 4. Cleaning wand handle         | 20. Carrying handle             |
| 5. Handle catch                 | 21. Cleaning wand (active wand) |
| 6. Retaining ring               | 22. Crevice nozzle              |
| 7. Cover release flap           | 23. Upholstery nozzle           |
| 8. Front cover                  | 24. Foot pedal                  |
| 9. Carrying handle              | 25. Exhaust filter cover        |
| 10. Housing release button      | 26. Dusting brush clamp         |
| 11. Brush roller release button | 27. Dusting brush               |
| 12. Head lamp*                  | 28. Swivel neck                 |
| 13. Power head with brush       | 29. Support lever               |
| 14. Display                     | 30. Connecting tube             |
| 15. Bag housing                 | 31. Protruding tab              |
| 16. Cable (cord)                | 32. Hose release button         |

\*Depending on model



## Standard Attachments

- 22. Crevice nozzle
- 23. Upholstery nozzle
- 26. Dusting brush clamp
- 27. Dusting brush



# ASSEMBLY

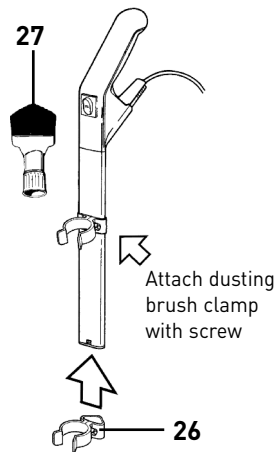
Place the power head (13) on the floor with the swivel neck (28) and the support lever (29) upright. Hold the bag housing (15) vertically and place it over the swivel neck (28) and support lever (29). Push firmly and **evenly** down so that the housing release button (10) snaps outward to its "locked" position.

Slide the dusting brush clamp (26) onto the handle tube and tighten the screw. The handle of the dusting brush (27) will now snap into the clamp.

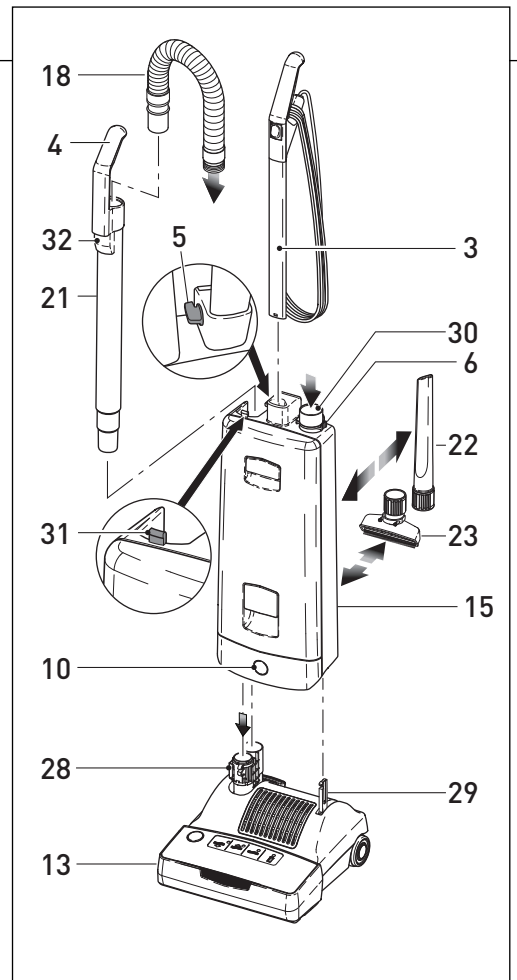
To lock the handle (3) to the bag housing (15), turn the handle catch (5) at the handle joint of the bag housing (15) forward to "open" position. Then slide the handle assembly (3) in as far as possible and lock it in by turning the handle catch to the closed position.

Push the black end of the attachment hose (18) into the connecting tube (30) so that it clicks into place. Insert the cleaning wand (21) into the swivel neck (28) and push the handle (4) over the protruding tab (31).

Insert crevice nozzle (22) and upholstery nozzle (23) into the recesses in the back of the machine.



**NOTE:** All illustrations shown in this manual represent the X7 model except where part numbers and instructions are different for each model. In those instances, illustrations for both the X7 and X8 will be shown.



# OPERATING INSTRUCTIONS

## Starting The Machine - Figures 1 & 2

Before turning on your vacuum cleaner, make sure that the vacuum handle is in its upright locked position and that you have a firm hold on the handle grip to keep the machine from moving forward.

1. Turn the quick release cable hook (#19, figure 1) to the up position by moving it to the left or right.
2. Release the power cord plug from the power cord and lift the cord off of the upper cord hook (#17, figure 2).
3. With the switch (#2, figure 2) in the "O" (OFF) position, plug the polarized power cord into a 120 volt outlet located near the floor.

### Switch Position

- O = OFF  
I = ON

NOTE: The AUTOMATIC X is equipped with a soft start system. The gradual power-up extends vacuum life.

## Operating the Machine - Figure 3

When the machine is switched on with the handle in the upright locked position, the power head and brush automatically rise from the carpet. To release the machine from the upright locked position, press down on the foot pedal (24) and lower the handle into the normal operating position. The power head and brush will automatically lower to the appropriate height.

## Using the Cleaning Wand, Hose & Attachments - Figures 4, 5, 6 & 7

The cleaning wand (21) is useful for vacuuming corners and hard-to-reach areas. The handle grip (1) should be in the upright, locked position (as shown in figure 4). Grip the cleaning wand handle (4), pull it up and away from the machine and stretch out the hose (18) until it locks to the back of the tube (this locking action will prevent the hose from retracting back into the cleaning wand while it is in use). Various attachments may be inserted onto the end of the tube. After use, remove attachment and re-insert the cleaning wand into the back of the machine. **Be sure that the cleaning wand handle (4) is inserted over the protruding tab (31) as shown in figure 6.** If the cleaning wand handle is properly seated over the protruding tab, the hose will automatically retract and you may resume vacuuming. There is no need to turn off the vacuum while switching from upright vacuuming to using the cleaning wand or hose.

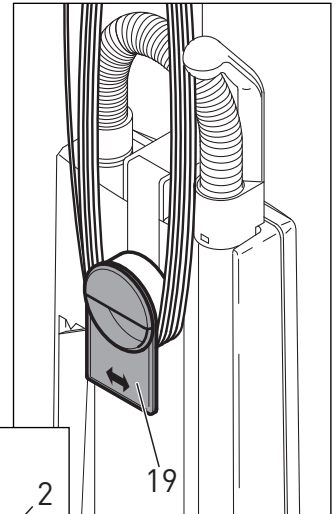


Figure 1

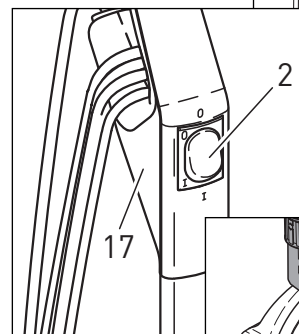


Figure 2

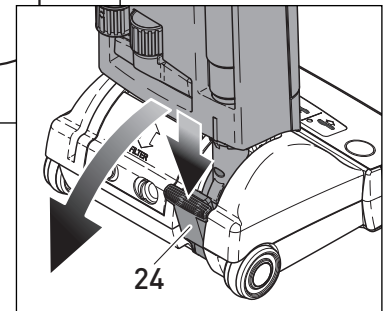


Figure 3

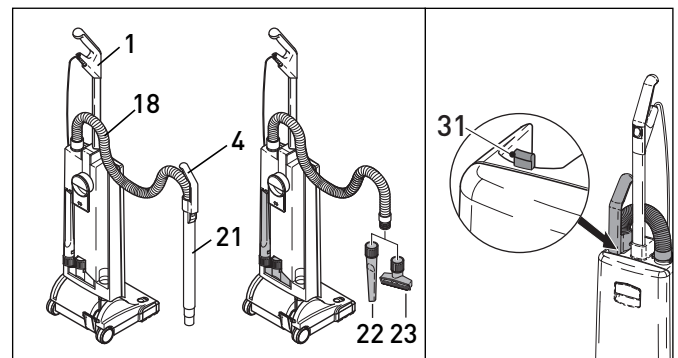


Figure 4

Figure 5

Figure 6



## WARNING!

The quality, condition, coating, texture, age and manufacturing technique of all floor surfaces vary. Therefore, upright vacuums with rotating brushes, including your SEBO, may damage some floor coverings or surfaces. Some types of high-gloss hardwood floors, cushion vinyl, berber carpets, long shag, and delicate or hand-woven carpets are particularly vulnerable to damage by rotating brushes. When possible, consult the materials supplied by your floor's manufacturer for information on proper upkeep and cleaning. **To ensure that your new SEBO vacuum cleaner is compatible with your floor, please test the vacuum cleaner on each type of flooring surface in a small inconspicuous area to determine if any damage occurs. If damage occurs, stop using the vacuum cleaner immediately!** The standard brush roller on your SEBO vacuum is appropriate for most types of floor surfaces. However, a soft-bristle brush roller (X7 part # 5010GE or X5 part # 5290GE) that is designed for use on sensitive looped-pile carpets and/or hard floors is available for an additional charge. As with the standard brush roller, you should test the machine using the soft-bristle brush roller in an inconspicuous area prior to widespread use. The soft-bristle roller will wear more quickly than the standard brush roller, so it will need to be replaced more often. Also, because the bristles are softer, the height adjustment on the machine will be slightly lower than normal. **Care must be taken to ensure that the bottom of the machine does not contact the floor.** If this happens, damage to the floor could occur.



To use the hose without the cleaning wand (as shown in figure 5), pull the hose out of the cleaning wand while the tube is still attached to the machine and **securely seated over the protruding tab (31)**. Insert an attachment tool, if desired, onto the end of the flexible hose. You may also release the hose while the cleaning wand is disengaged from the machine by pressing the hose release button (32) at the base of the cleaning wand handle (4).

While using attachment tools, if the power head brush roller is not able to disengage from the floor surface, the stationary-use warning light will flash. You may keep the brush roller off the carpet by placing the handle (1) in its upright locked position and lowering the handle with one hand to raise the brush roller off of the floor. Operate attachment accessories with the other hand. Or, with the handle in the upright locked position, the machine may be tipped backward so that it rests against furniture or the floor on the back side of the bag housing (15), and the power head is locked in a perpendicular position to the floor. Ensure that no children or pets can come into contact with the spinning brush roller.

To vacuum walls, under beds, or higher-reach areas, etc., the SEBO AUTOMATIC X can be fitted with an optional straight tube (33) and the optional wall and floor brush (34). The machine will then perform as a canister vacuum (as shown in figure 7).

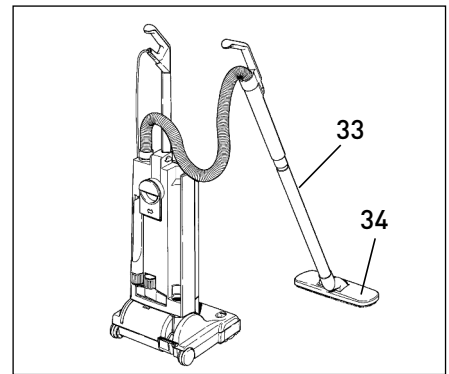


Figure 7

### The Display Panel - Figure 8

- Green light (a): Brush is lowering
  - Green light (b): Brush is rising
  - Red light (c): Flashing and motor off - brush jammed - clear jam
  - Red light (c): Flashing and motor on (when machine is in upright, locked position) - Take care, brush in contact with carpet
  - Red light (c): Continuous - change brush roller
  - Red light (d): Continuous - change bag or clear clog
  - Red light (d): Flashing - motor switched off due to full bag or clog
- For more information on the display panel, see pages 4 and 5.

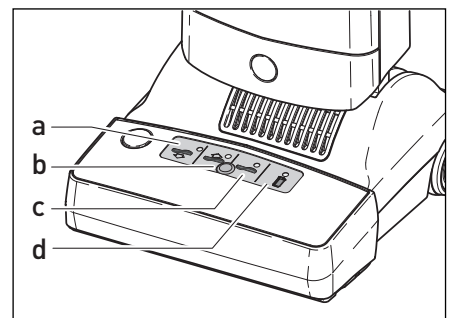


Figure 8

### Boost Function\* (X7 Premium and X7 Premium Pet) - Figure 9

For high energy efficiency and deep cleaning of the carpet, the SEBO AUTOMATIC X7 Premium and X7 Premium Pet vacuums are equipped with a boost button (35). Press the button (35) by hand to activate the boost function. Once activated, the button will illuminate green. To deactivate the boost function, press the boost button again.

NOTE: The boost function will be automatically deactivated when the machine is turned off. After switching on the machine again, the boost function has to be activated separately.

\* Depending on model

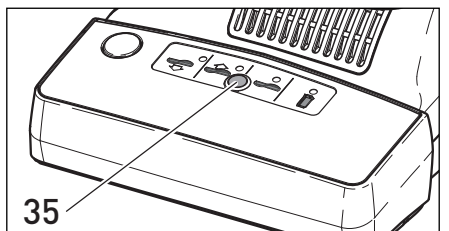
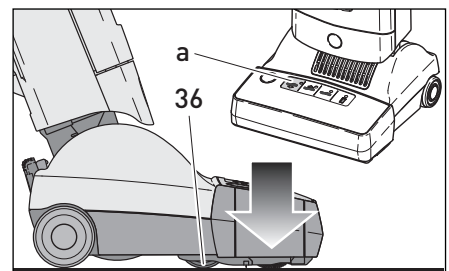


Figure 9

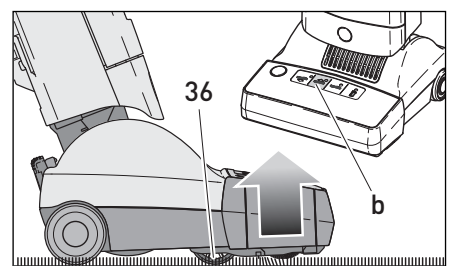
### The Adjustment Wheel - Figures 10 & 11

On hard floors (figure 10), the adjustment wheel (36), moves upward into the machine so that the brush lowers and becomes flush with the floor.

On carpeted floors (figure 11), the adjustment wheel (36) moves downward out of the machine so that the brush rises. The adjustment wheel moves up and down automatically to adjust the brush to the correct setting. This provides aggressive brush action, while maintaining optimal air flow.



Hard Floor - Figure 10



Carpeted Floor - Figure 11

# VACUUM MAINTENANCE

**⚠ Always unplug vacuum from outlet before dismantling any part of machine!**

## Changing the Filter Bag - Figures 12 & 13

To change the filter bag (37), pull the cover release flap forward (7) and lift the front cover (8) from the bag housing. **The cover release flap must remain in a forward "pulled-out" position to change filter bags and lock them into place.** Squeeze the clamps on both sides of the filter bag sealing plate (38), slide the plate from the holder (39) and push the cap (40) on to seal the bag. Slide the sealing plate (38) of a new bag into the holder and push it in firmly. Re-insert cover into bag housing, push it forward, then lock it in place by pushing down the cover release flap. You may find it convenient to store the bag cap inside the bag housing below the filter bag.

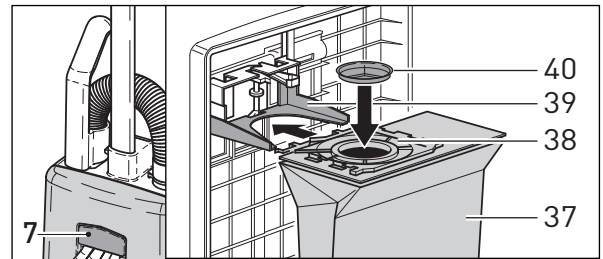
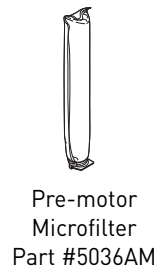


Figure 13

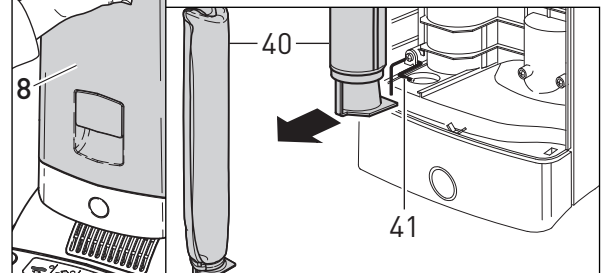


Figure 12

Figure 14

## Changing the Pre-motor Microfilter - Figures 12 & 14

The pre-motor microfilter (40) needs to be changed when it becomes extremely dirty or clogged with dust, or after approximately 20 filter bags have been used. To change the pre-motor microfilter, pull the cover release flap (7) forward and lift the cover (8) from the filter bag housing. Then, slide the filter out at the bottom. To replace, lift the safety lever (41) and slide the new filter in using the tracks as guides.

## Changing the Exhaust Filter - Figures 15 & 16

After 20 bags have been used, change the exhaust filter (42). To remove the exhaust filter, squeeze the filter door release buttons (43) toward the middle and remove the filter cover (25). Unhook the filter tab (A) from the catch (B) and pull the filter out. Slide the closed end of the new filter into the machine. Fit filter opening (C) to the air channel (D) and lock the filter tab (A) onto the catch (B), making sure it is smooth and flat. The correct positioning of the filter can be checked by looking through the slots (E) on the front of the powerhead. Slide the filter cover (25) into the top of the opening and move it downward until it clicks into place.

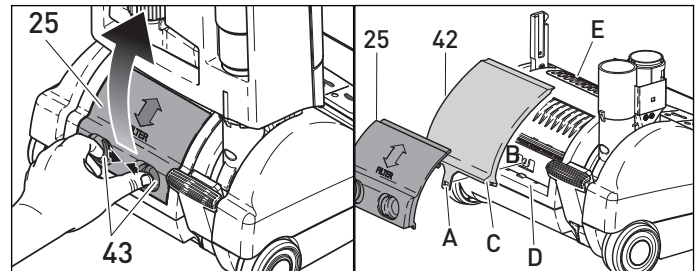


Figure 15

Figure 16

## Changing the Brush Roller(s) - Figure 17 (X7), Figure 17a (X8)

To change the brush roller(s) (45, 45a), push the brush roller release button(s) (11, 11a), remove the side plate(s) (44, 44a), turn the brush(s) clockwise a quarter of a turn, and pull the old brush roller(s) out. Slide the new brush roller(s) into the brush housing and turn it until it locks into position. While slightly pushing the button(s) (11, 11a), press the side plate(s) (44, 44a) back into the locked position.

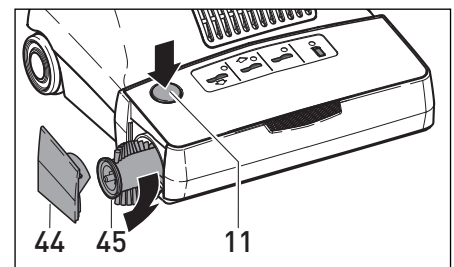


Figure 17 (X7)

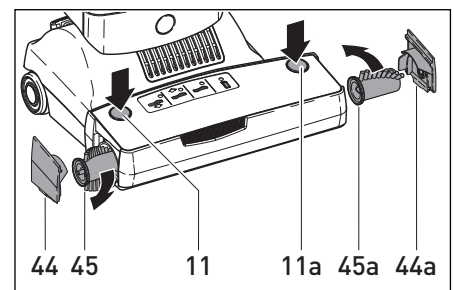


Figure 17a (X8)

## Changing the Sealing Strip - Figure 18

The sealing strip (46) is located just behind the brush roller opening. The sealing strip seals the power head to hard floors to prevent kick-back of debris while vacuuming. To replace a worn sealing strip, push the brush roller release button(s) (11, 11a), remove the side plate(s) (44, 44a) and slide the old strip out. Insert the new strip into the slot and slide into place.

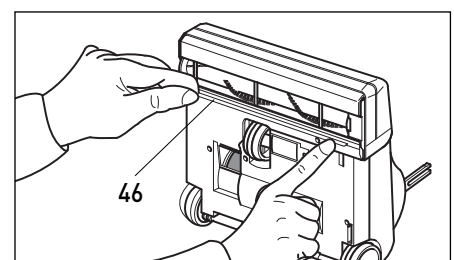


Figure 18

# CLOG REMOVAL

 **Always unplug vacuum from outlet before removing any clogs!**

## Clogs in the Airflow Pathway - Figure 19

Most clogs can be removed by accessing the airflow pathway via the orange colored access door (48) located on the underside of the power head. However, other clogs may only be removed by accessing the airflow pathway by disassembling the machine in the opposite sequence of the machine's original assembly (see assembly, page 6).

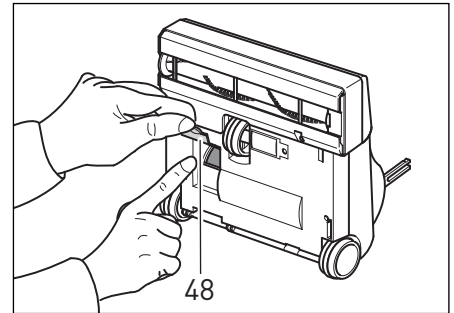


Figure 19

## Clogs in the Attachment Hose - Figure 20

Blockages in the hose can be cleared by removing the attachment hose (18) from the machine by squeezing the retaining ring (6) and inserting the opposite end of the hose in the connecting tube (30). Hold the hose upright with one hand blocking the top end and switch on the machine. If necessary, quickly lift your hand on and off the end of the hose. If this procedure does not clear the clog, a straight wire can be inserted into the hose to push out the clog. Take care not to puncture the hose with the wire.

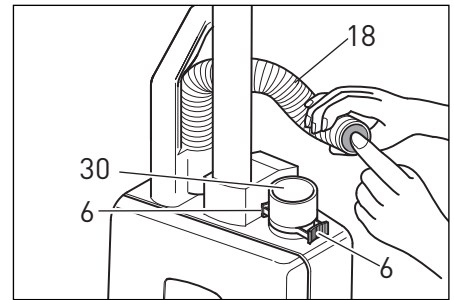


Figure 20

## Clogs in the Cleaning Wand (Active Wand) - Figure 21

Remove attachment hose (18) from the cleaning wand (21). Then, grip cleaning wand handle (4) and remove tube from the machine. A straight wire can be inserted into the tube to push out the clog.

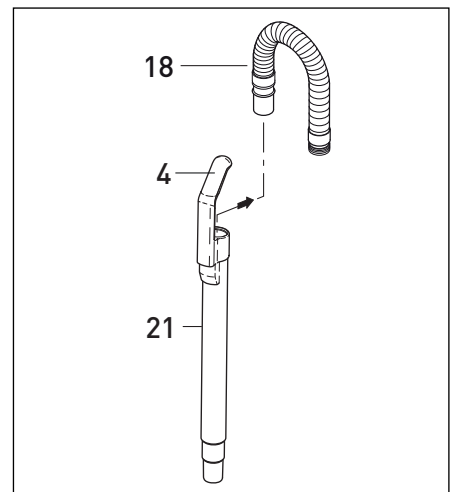


Figure 21

## Clogs in Entrance to Filter Bag - Figure 22

Remove attachment hose (18) from vacuum cleaner (see figure 20) and remove front cover (8). Clean out connecting tube (30) and/or entrance to bag (49).

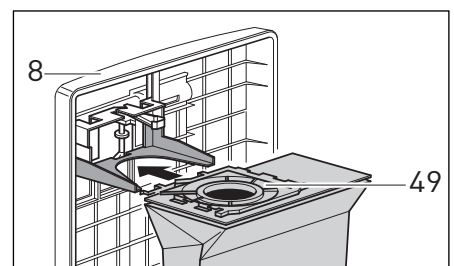


Figure 22

## Clogs in the Swivel Neck - Figure 23

Clogs in the swivel neck (28) can be removed by first pressing the housing release button (10) and lifting off the bag housing (15). Lift upward firmly and evenly to properly remove the bag housing. Then, release the foot pedal (24), lower the swivel neck, check inside the swivel neck channel closest to the foot pedal (see arrow), and clean out pathway.

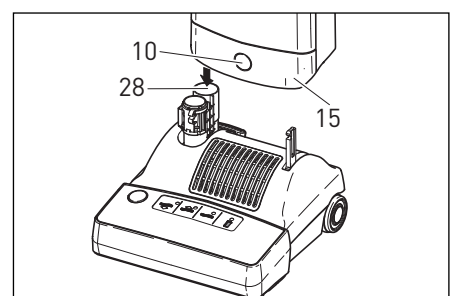


Figure 23

# TROUBLE-SHOOTING GUIDE

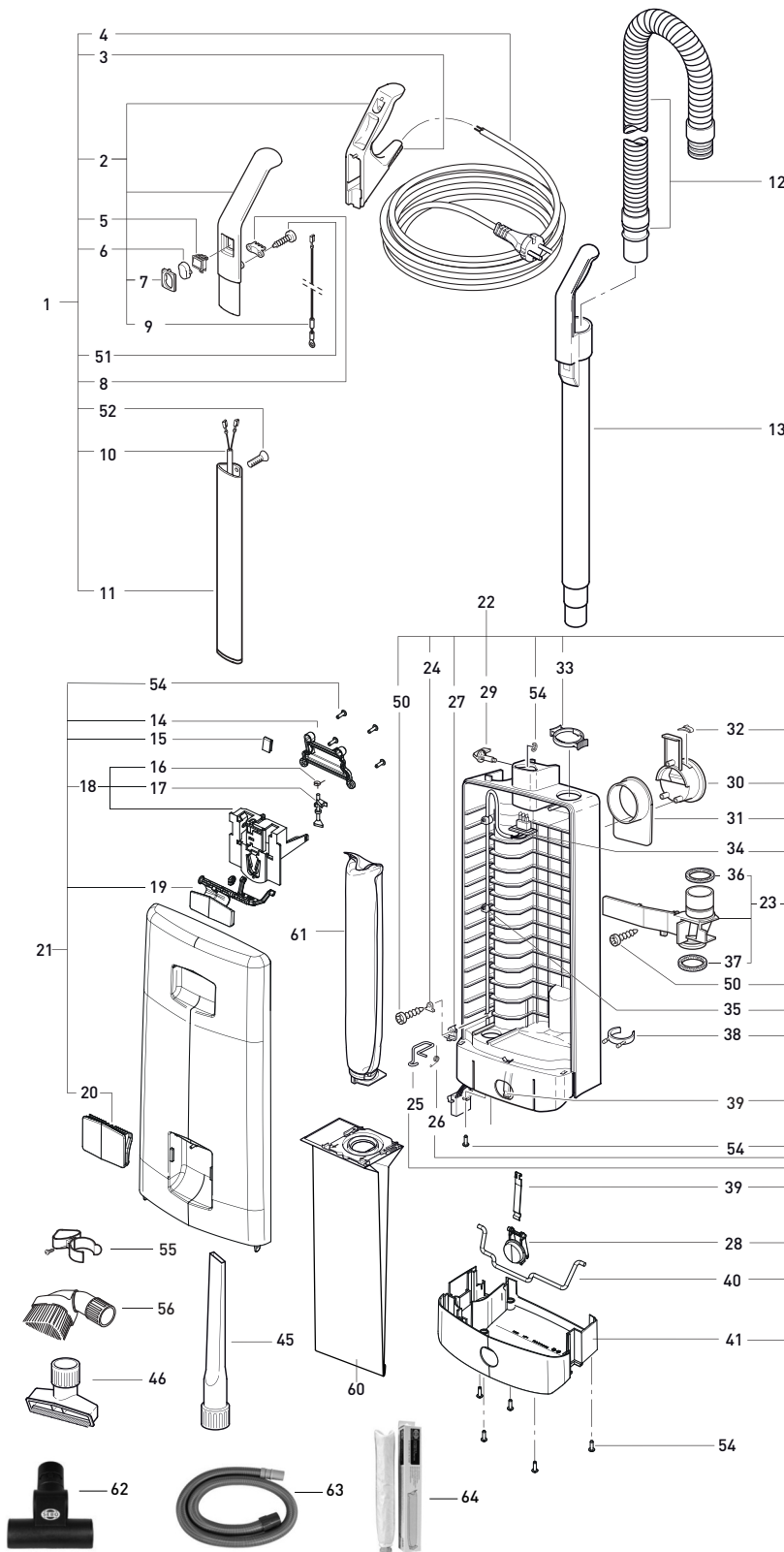


**Always unplug vacuum from outlet before dismantling any part of the machine!**

<b>PROBLEM</b>	<b>REASON</b>	<b>SOLUTION</b>
<b>Does not turn on or machine shuts off intermittently</b>	1. Handle not fully inserted into the bag housing, causing a faulty connection.	1. Release handle catch, push handle down, close handle catch.
	2. Not plugged into good outlet.	2. Use another outlet.
	3. Cable worn.	3. Replace cable.
	4. Bag housing (15) not seated fully into proper "locked" position on top of power head.	4. Housing release button (10) should be snapped outward to its locked position.
<b>Bag full or clog light on or flashing &amp; machine shuts off</b>	1. Bag full.	1. Replace bag. See Bag Replacement on page 10. Also see page 4.
	2. Clog in airflow pathway, attachment hose, cleaning wand, swivel neck or entrance to filter bag.	2. See Clog Removal on page 11. Also see page 4.
	3. Microfilter dirty.	3. Replace microfilter. See page 10.
<b>Brush light on</b>	1. Brush worn.	1. Replace brush. See page 10. Also see page 4.
<b>Brush light slowly flashing</b>	1. Vacuum is stationary and in upright locked position.	1. See pages 8 and 9.
<b>Brush light flashing &amp; machine shuts off</b>	1. Brush jammed.	1. Shut off the power switch, unplug the machine and pull the obstruction from the brush roller. Also see page 4.
<b>Up &amp; down lights flicker</b>	1. Operating on uneven floor.	1. Ignore.
<b>Does not pick up</b>	1. Cleaning wand not properly inserted.	1. Reinsert cleaning wand, making sure lower end of tube is in the lower hole and handle is properly seated over the protruding tab (31).
	2. Front cover not closed.	2. See below.
<b>Front bag door won't fully close</b>	1. Cover release flap not fully closed.	1. Reinsert bag. Lock the cover release flap down firmly.
	2. Bag not inserted properly	2. Reinsert bag with cover release flap (7) up, until firmly latched in bag holder.
	3. Microfilter not properly inserted.	3. Lift safety lever and insert filter with vertical plastic ridge on filter facing you.
<b>Hose doesn't retract after cleaning wand is inserted</b>	1. Cleaning wand not properly inserted.	1. Reinsert making sure top of handle is pointing back and tube is fully seated on the protruding tab (30) on top of the bag housing.

# AUTOMATIC X7 | X7 PREMIUM | X8 SCHEMATIC AND PARTS LIST

#91542AM X7 Premium Arctic White (white/gray black) #91503AM X7 Red (dark red/silver)  
 #91543AM X7 Premium Graphite (gray black/silver) #91566AM X8 Blue (dark blue/silver)  
 #91540AM X7 Premium PET Black (black/silver)



## Bag Housing and Handle

#91542AM X7 Premium Arctic White Machine		
Pos.	Part #	Description
1	5642AM	Handle complete, gray black/white
2	5297GSAM	Handle grip, gray black, incl. pos. 7+9
3	5359GS	Grommet
4	5450DG	Power supply cord
5	05113	Switch w/screws
6	5160WE	Switch cap, white
7	5161GS	Switch cap holder, gray black
8	5162	Cable clamp
9	5253UL	Wire-antistatic
10	5216ER	Handle cable
11	5187	Handle tube X
12	5040SB	Hose X, cpl., silver
13	5045GS	Cleaning wand, gray black
14	51059GS	Cover, gray black
15	5319	Bag holder spring
16	5091	Safety catch spring
17	5360	Safety catch
18	5324	Bag holder cpl., incl. pos. 16+17
19	51053SB	Cover release, silver
20	51052SB	Handle cover, silver
21	51051WESB	Front cover complete, white
22	51050WEUL	Bag housing X, cpl., white
23	5380GS	Internal cover cpl., gray black incl. pos. 40+41
24	1073	Clamp
25	5208	Filter safety catch
26	5210	Return spring
27	5164	Cable clamp
28	51003SB	Bag housing locking catch, silver
29	1859SB	Handle catch, silver
30	5721WE	Carrying handle, white
31	5703WE	Cable hook, white
32	5146	Stop spring
33	5424SB	Retaining ring, silver
34	5217ER	Internal cable
35	5266	Cable clamp
36	5842	Seat
37	5289	Seat
38	1823GS	Attachment clip, gray black
39	5084	Spring for locking rod
40	5083	Locking rod
41	51002WE	Bag housing bumper base, white
45	1092GS	Crevice nozzle, gray black
46	1491GS	Upholstery nozzle
50	0102ER	Screw F 3.9x13 DIN 7981
51	0103ER	Screw C 3.9x16 DIN 7981
52	0129ER	Screw M 4x12
53	0161ER	Clip 4, DIN 6799
54	01036ER	Screw 4x14, Torx 20
55	5460GS	Mounting clip with screw
56	1387GS	Dusting brush
60	5093AM	Ultra filter bag pack
61	5036AM	Pre-motor microfilter

#91543AM X7 Premium Graphite Machine Exceptions		
Pos.	Part #	Description
1	5644AM	Handle cpl., gray black/silver
6	5160SB	Switch cap, silver
21	51051GSSB	Front cover cpl., gray black
22	51050GSUL	Bag housing cpl., gray black
30	5721GS	Carrying handle, gray black
31	5703GS	Cable hook, gray black
41	51002GS	Bag housing bumper base, gray black

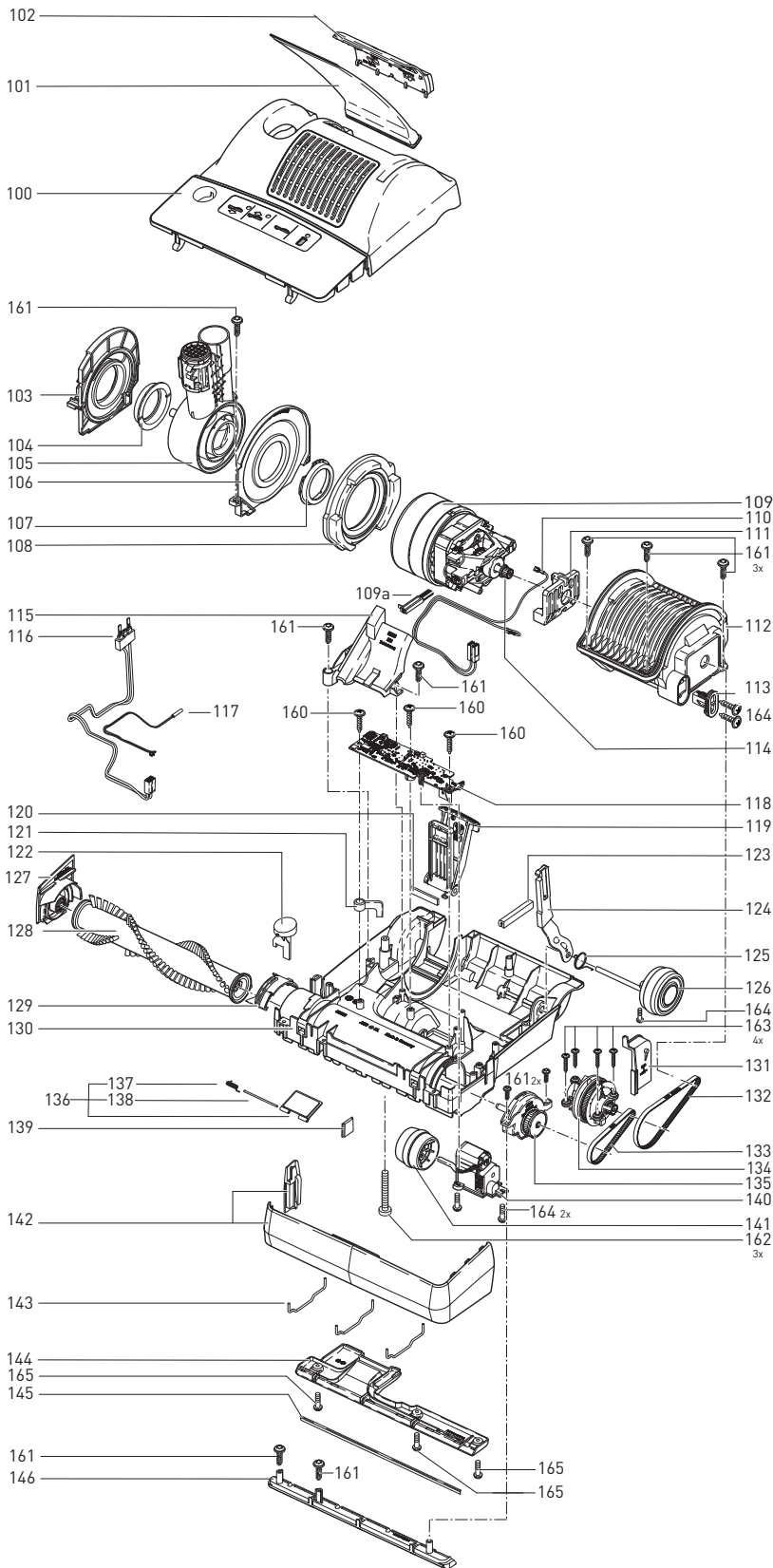
#91540AM X7 Premium PET - Black Machine Exceptions		
Pos.	Part #	Description
1	5640AM	Handle complete, black/silver
2	5295AM	Handle grip black, incl. pos. 7+9
3	5359SW	Grommet, black
6	5160SB	Switch cap, silver
7	5161SW	Switch cap holder, black
13	5045SW	Cleaning wand, black
21	51051SWSB	Front cover cpl., black
22	51050SWUL	Bag housing X cpl., black
23	5380SW	Internal cover, incl. pos. 40+41
30	5721SW	Carrying handle, black
31	5703SW	Cable hook, black
38	1823SW	Attachment clip, black
41	51002SW	Bag housing bumper base, black
45	1092SW	Crevice nozzle, black
46	1491SW	Upholstery nozzle, black
62	6179ER	Hand-held turbo brush
63	1495AM	Extension hose
64	5425AM	Anti-odor charcoal microfilter

#91566AM X8 Blue Machine Exceptions		
Pos.	Part #	Description
1	5644AM	Handle complete, gray black/silver
6	5160SB	Switch cap, silver
21	51051DBSB	Front cover cpl., dark blue
22	51050DBUL	Bag housing cpl., dark blue
30	5721DB	Carrying handle, dark blue
31	5703DB	Cable hook, dark blue
41	51002DB	Bag housing bumper base, dark blue

#91503AM X7 Red Machine Exceptions		
Pos.	Part #	Description
1	5644AM	Handle cpl., gray black/silver
6	5160SB	Switch cap, silver
21	51051DRSB	Front cover cpl., dark red
22	51050DRUL	Bag housing cpl., dark red/gray black
30	5721DR	Carrying handle, dark red
31	5703DR	Cable hook, dark red
41	51002GS	Bag housing bumper base, gray black

# AUTOMATIC X7 SCHEMATIC AND PARTS LIST

#91503AM X7 Red (dark red/silver)



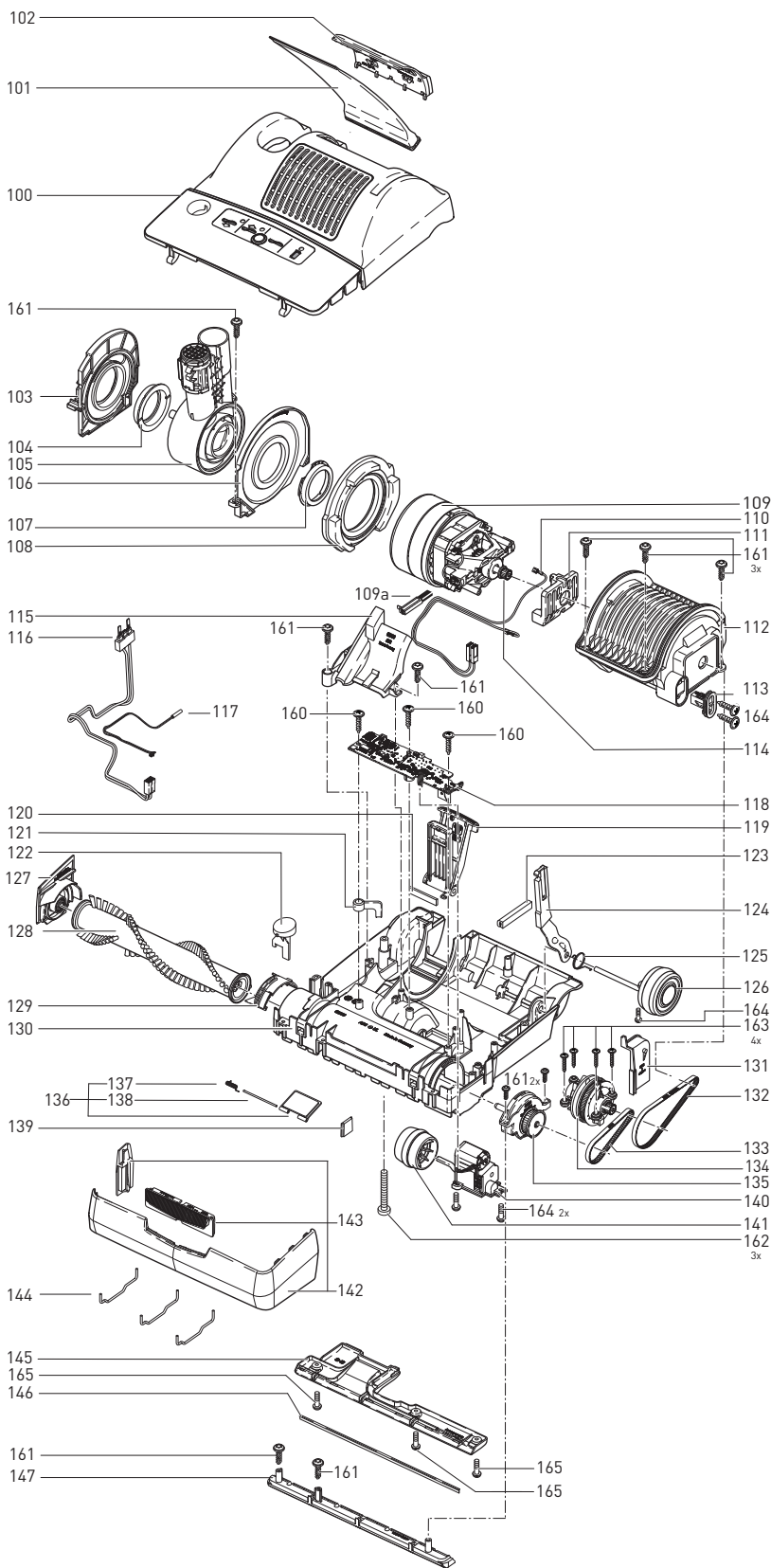
## Power Head

#91503AM X7 Red Machine

Pos.	Part #	Description
100	52136DRSE	Power head cover, cpl., dark red/silver
101	52038ER	Exhaust filter
102	52029DR	Exhaust filter cover, cpl., dark red
103	52018ER	Swivel neck support r. h.
104	5101	Swivel neck bearing r. h.
105	52023ER	Swivel neck assembly, cpl.
106	52020ER	Swivel neck support l. h.
107	5717	Swivel neck bearing l. h.
108	52013	Motor support seal, DOMEL
109	52194ER	Vacuum motor 120V/12 amps
109a	05117S	Carbon brush set
110	52040ER	Cable set motor
111	5100	Rubber mounting, DOMEL
112	52059UL	Motor housing
113	52011ER	Belt adjust, cpl.
114	5462	Motor pulley 2MR
115	52115ER	Cover for air channel
116	52199ER	Cable set swivel neck, incl. connector support
117	52103	Reed switch swivel neck support
118	5870ER	PCB power supply/controller X7/8 100-120V
119	52009OR	Foot pedal, cpl., orange
120	52052	Felt strip
121	52054	Cable guide
122	52034DR	Brush roller release knob r.h., dark red
123	52112	Buffer motor housing
124	52021ER	Support lever
125	5107-1	Support spring
126	52102GS	Wheel, cpl. with axle
127	52032GS	Bearing block r.h., gray black
128	5010AM	Brush roller, blue bristles
129	52033ER	Brush roller release ring with spring
130	52195GS	Chassis X7 cpl., gray black, incl. pos. 120+123 w/out bumper
131	5112SW	Motor pulley cover
132	5463	Belt 2MR-310-6
133	5110	Belt 219 3M HTDII-6
134	52108	Sensor, cpl.
135	52111ER	Bearing block l. h., cpl.
136	5172OR	Access door, incl. pos. 137+138, orange
137	5304	Access door spring
138	5303	Access door axle
139	5155GS	Rubbing plate
140	5060ER	Servo motor with gear box
141	5174GS	Pile adjustment wheel
142	52050GS	Bumper set, X7, gray black
143	5402	Wire tie
144	52110GS	Rear bottom plate X7, cpl., incl. pos. 145+160
145	5400-1	Sealing strip
146	50404GSER	Front bottom plate X7, cpl.
160	01029ER	Screw C2, 9x13
161	01016ER	AMTEC screw, 4.0x16 TORX 20
162	0176ER	Screw AM 4x30 DIN 7985TL
163	0104ER	Screw C 3.9x25 DIN 7981
164	0102ER	Screw F 3.9x13 DIN 7981
165	0197ER	Screw M 4x12 Z1

# AUTOMATIC X7 PREMIUM SCHEMATIC AND PARTS LIST

- #91542AM X7 Premium Arctic White (white/gray)
- #91543AM X7 Premium Graphite (gray black/silver)
- #91540AM X7 Premium PET Black (black/silver)



## Power Head

### #91542AM Premium Arctic White Machine

Pos.	Part #	Description
100	52126WEAM	Power head cover, cpl. white/silver
101	52038ER	Exhaust filter
102	52029WE	Exhaust filter cover, cpl., white
103	52018ER	Swivel neck support r. h.
104	5101	Swivel neck bearing r. h.
105	52023ER	Swivel neck assembly, cpl.
106	52020ER	Swivel neck support l. h.
107	5717	Swivel neck bearing l. h.
108	52013	Motor support seal, DOMEL
109	52194ER	Vacuum motor 120V/12 amps
109a	05117S	Carbon brush set
110	52040ER	Cable set motor
111	5100	Rubber mounting, DOMEL
112	52059UL	Motor housing
113	52011ER	Belt adjust, cpl.
114	5462	Motor pulley 2MR
115	52115ER	Cover for air channel
116	52199ER	Cable set swivel neck, incl. connector support
117	52103	Reed switch swivel neck support
118	5870ER	PCB power supply/controller X7/8 100-120V
119	52009OR	Foot pedal, cpl., orange
120	52052	Felt strip
121	52054	Cable guide
122	52034WE	Brush roller release knob r.h., white
123	52112	Buffer motor housing
124	52021ER	Support lever
125	5107-1	Support spring
126	52102GS	Wheel, cpl. with axle
127	52032GS	Bearing block r.h., gray black
128	5010AM	Brush roller, blue bristles
129	52033ER	Brush roller release ring with spring
130	52195GS	Chassis X7 cpl., gray black, incl. pos. 120+123 w/out bumper
131	5112SW	Motor pulley cover
132	5463	Belt 2MR-310-6
133	5110	Belt 219 3M HTDII-6
134	52108	Sensor, cpl.
135	52111ER	Bearing block l. h., cpl.
136	5172OR	Access door, incl. pos. 137+138, orange
137	5304	Access door spring
138	5303	Access door axle
139	5155GS	Rubbing plate
140	5060ER	Servo motor with gear box
141	5174GS	Pile adjustment wheel
142	52002GS	Bumper set, X7 LED, gray black
143	52016ER	LED assembly, cpl.
144	5402	Wire tie
145	52110GS	Rear bottom plate, X7 cpl., incl. pos. 145+160
146	5400-1	Sealing strip
147	50404GSER	Front bottom plate X7 cpl.
160	01029ER	Screw C2, 9x13
161	01016ER	AMTEC screw, 4.0x16 TORX 20
162	0176ER	Screw AM 4x30 DIN 7985TL
163	0104ER	Screw C 3.9x25 DIN 7981
164	0102ER	Screw F 3.9x13 DIN 7981
165	0197ER	Screw M 4x12 Z1

### #91543AM X7 Premium Graphite Machine Exceptions

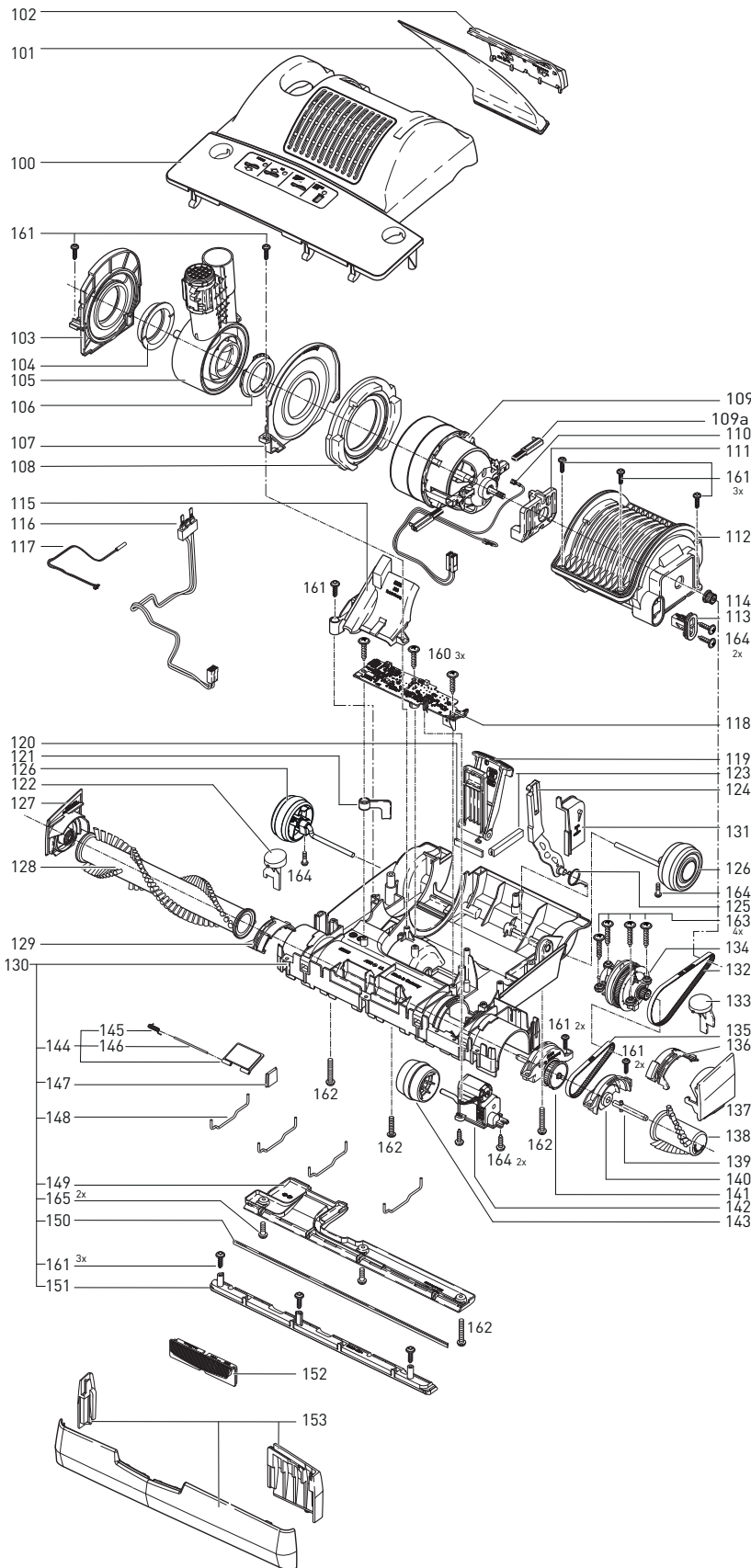
100	52126GSAM	Power head cover, cpl., gray black/silver
102	52029GS	Exhaust filter cover, cpl., gray black
122	52034GS	Brush roller release knob, r.h., gray black

### #91540AM X7 Premium PET Black Machine Exceptions

100	52126SWAM	Power head cover, cpl., black/silver
102	52029SW	Exhaust filter cover, cpl., black
122	52034SW	Brush roller release knob, r.h., black
126	52102SW	Wheel, cpl. with axle, black

# AUTOMATIC X8 SCHEMATIC AND PARTS LIST

#91566AM X8 Blue (dark blue/silver)



## Power Head

### #91566AM X8 Blue Machine

Pos.	Part #	Description
100	52122DBSE	Power head cover, cpl., dark blue/silver
101	52038ER	Exhaust filter
102	52029DB	Exhaust filter cover, cpl., dark blue
103	52018ER	Swivel neck support r. h.
104	5101	Swivel neck bearing r. h.
105	52023ER	Swivel neck assembly X7 cpl.
106	52020ER	Swivel neck support l. h.
107	5717	Swivel neck bearing l. h.
108	52013	Motor support seal
109	52194ER	Vacuum motor 120V/12 amps
109a	05117S	Carbon brush set
110	52040ER	Cable set motor, 2-wire
111	5100	Rubber mounting
112	52059UL	Motor housing
113	52011ER	Belt adjust, complete
114	5462	Motor pulley
115	52115ER	Cover for air channel
116	52199ER	Cable set swivel neck, incl. connector support
117	52103	Reed switch swivel neck X-2017
118	5870ER	PCB power supply/controller X-2017, 100-120V
119	52009OR	Foot pedal, cpl., orange
120	52052	Felt strip
121	52054	Cable guide
122	52034DB	Brush roller release knob r.h., dark blue
123	52112	Buffer motor housing
124	52021ER	Support lever
125	5107-1	Support spring
126	52102GS	Wheel, cpl. with axle, gray black
127	52032GS	Bearing block r.h., gray black
128	5290AM	Brush roller set X8, blue bristles
129	52033ER	Brush roller release ring r.h. with spring
130	52196GS	Chassis X8 cpl., gray black, incl. pos. 120+123 w/o bumper
131	5112SW	Motor pulley cover
132	5463	Belt 2MR-310-6
133	52224DB	Brush roller release knob l.h., dark blue
134	52198	Sensor X8, cpl.
135	5110	Belt 219 3M HTDII-6
136	52248ER	Brush roller release ring l.h., w/spring
137	52134GS	Brush cover l.h.X8, gray black
138	5250ER	Edge brush X8, blue bristles
139	5237	Shaft extension, cpl.
140	52131	Sealed bearing X8
141	52121	Bearing block l. h., cpl.
142	5060ER	Servo motor with gear box
143	5174GS	Pile adjustment wheel
144	51510R	Access door cpl., incl. pos. 145+146, orange
145	5304	Access door spring
146	5303	Access door axle
147	5155GS	Rubbing plate
148	5402	Wire tie
149	52120GS	Rear bottom plate, X8 cpl., incl. pos. 150+165
150	5400-2	Sealing strip
151	52118GS	Front bottom plate X8 cpl.
152	52016ER	LED assembly, cpl.
153	52203GS	Bumper set X8 LED, 3 pcs., gray black
160	01029ER	Screw C2, 9x13
161	01016ER	AMTEC screw, 4.0x16 TORX 20
162	0176ER	Screw AM 4x30 DIN 7985 TL
163	0104ER	Screw C 3.9x25 DIN 7981
164	0102ER	Screw F 3.9x13 DIN 7981
165	0197ER	Screw M 4x12 Z1